



*Proven, reliable and
always innovative.*

TRP® offers reliable
aftermarket products
that are designed
and tested to exceed
customers' expectations
regardless of the vehicle
make, model or age.



APPLICATION TABLE • BLOWER MOTORS &
WHEELS • CLUTCHES • COMPRESSORS •
CONDENSERS • FANS • EXPANSION VALVES •
LOUVERS • RECEIVER DRYERS



Tested. Reliable. Guaranteed.

HVAC

Choosing the right replacement part or service for your vehicle—whether you own one, or a fleet—is one of the most important decisions you can make for your business. And, with tested TRP® parts it's an easy decision.

Regardless of the make you drive, TRP® quality replacement parts are engineered to fit your truck, trailer or bus. Choose the parts that give you the best value for your business. Check them out at an approved TRP® retailer near you.

The cross reference information in this catalog is based upon data provided by several industry sources and our partners. While every attempt is made to ensure the information presented is accurate, we bear no liability due to incorrect or incomplete information.

Product Availability

Due to export restrictions and market demands, not all products are always available in every location. Check for availability in your area with your local TRP® Distributor.

No part of this marketing material may be reproduced in any manner without written permission from TRP® North America.

TABLE OF CONTENTS

HVAC

HVAC MEDIUM/HEAVY DUTY APPLICATIONS TABLE

Freightliner High Volume Parts List	13-10
Freightliner Application	13-12
International High Volume Parts List	13-40
International Application	13-43
Kenworth High Volume Parts List.....	13-64
Kenworth Application	13-67
Mack High Volume Parts List	13-81
Mack Application	13-83
Peterbilt High Volume Parts List.....	13-102
Peterbilt Application.....	13-104
Volvo High Volume Parts List	13-118
Volvo Application	13-121
Western Star Application	13-136

TRP® North America

750 Houser Way N.
Renton, WA 98057

www.trpparts.com

BLOWER MOTORS, MOUNTS & WHEELS

Motor Matrix	13-142
Single Shaft Blower Motors	13-144
Single Shaft Blower Motors Specifications	13-148
Double Shaft Blower Motors.....	13-150
Double Shaft Blower Motor Specifications	13-153
Flanged Blower Motors	13-154
Flanged Blower Motors Specifications	13-155
Blower Motor Assemblies	13-156
Blower Motor Assemblies Specifications	13-157
Blower Mounts & Housing	13-158
Single Entry Blower Wheels	13-159
Double Entry Blower Wheels.....	13-161

FANS

Defrost Fans	13-162
Fan Blades	13-164

CLUTCHES

Service Tips	13-165
Clutches Service Tips.....	13-165
Single Groove Clutches.....	13-166
Single Groove Clutches Specifications	13-170
Double Groove Clutches	13-171
Double Groove Clutches Specifications	13-173
Multi-Groove Clutches	13-174

Multi-Groove Clutches Specifications	13-177
Cross Reference for Clutches	13-178

COMPRESSORS

Compressors Trouble Shooting Guide	13-181
GM Compressors	13-182
GM R4, LT R4 & V5 Compressors	13-182
GM R4, LT R4 & V5 Compressors Specifications	13-184
GM A6 Compressors	13-185
GM A6 Compressors Specifications	13-186
GM A6, HR6 & HT-6 Compressors	13-188
GM A6, HR6 & HT-6 Compressors Specifications	13-188
GM HT-6 Specifications.....	13-189
Ford Compressors.....	13-190
Ford Compressors Specifications	13-192
Sanden R-12 Compressors Specifications	13-194
Sanden R-12 Compressor Only Specifications	13-194
Sanden R134a Compressor Only Specifications	13-195
Sanden R-134A Compressors Specifications	13-196
Cross Reference for Sanden R12 to R134 Compressor & Clutch.....	13-198
Sanden Clutch Variations	13-199
Sanden Cylinder Head Configurations	13-200

Sanden Codes & Configurations	13-201
Sanden R-134A Model Specifications	13-201
Sanden R-12 to R-134A Model Conversions	13-202
Belt Tension.....	13-202
Speed Rating.....	13-203
Sanden/TRP® All Makes Interchange	13-204
Seltec to Sanden Interchange	13-206
Sanden CCI Compressor Replacement	13-207
TCCI Compressor Specifications	13-208
Slim-Line Compressor Identification	13-209
Generic Compressor Identification ...	13-209
Compressors Trouble Shooting Guide.....	13-211
TCCI to New Universal Interchange	13-212
Example Compressor Identification	13-215
Cross Reference for Setlec to ICE Interchange	13-216
Mounting Kits & Accessories	13-220
Compressor Mounting Kits	13-220
Sanden & TCCI Mounting Brackets	13-222
TCCI Service Valves.....	13-223
Caps	13-230

EXPANSION VALVES

Expansion Valves Service Tips.....	13-232
Orifice Tubes & Kits	13-234

Expansion Valves	13-236
Externally Equalized Expansion Valves	13-238
Block Type Expansion Valves.....	13-238

AIR CONTROLS

Freon Solenoid Valves.....	13-242
Freon Valve Specifications	13-243
Air Filters & Screen	13-244
Filter Specifications	13-245
Air Switches - Chrome Mounting Nut (15/32 UNF-2B)	13-246
Air Switches Specifications	13-247
Air Cylinders	13-248
Air Cylinder Specifications.....	13-249
Miscellaneous Switches & Valves.....	13-250
Air Sensing Switches.....	13-250
Spool Valves.....	13-250
Push Button Valve	13-250
Misc. Switches Specifications	13-251

LOUVERS

Louvers.....	13-252
Louvers Specifications	13-255

WATER VALVES

Cable Controlled Water Valves.....	13-256
Cable Controlled Water Valve Specifications	13-258
Control Cables.....	13-259
Control Cables Configuration	13-260

Control Cables Specifications	13-260
Manual Heater Shut-Off Water Valves	13-261
Manual Heater Shut-Off Specifications	13-261
Heater Fittings	13-262
Heater Fittings Specifications	13-262

CONDENSERS

Condenser Quick Reference & Application Guide	13-263
Condenser Service Tips	13-264
Condenser Coils	13-265
Condenser Coils Specifications	13-271
Universal Condensers	13-274
Universal Condenser Coil Options	13-274
Multi-Flow Condensers	13-275
Multi-Flow Condenser Coil Specifications	13-276
Multi-Flow Condenser Brackets	13-276

EVAPORATORS

Evaporator Service Tips	13-277
Evaporator Coils	13-279
Evaporator Specifications	13-284

HEATER CORES

Heater Cores	13-285
Heater Core Specifications	13-291

RECEIVER DRIERS

Service Tips for Receiver Driers	13-292
Accumulator Driers	13-295
Accumulator Receiver Driers Specifications	13-296
Flare Type Driers	13-297
Flare Type Receiver Driers Specifications	13-297
In-Line Dryers Specifications	13-297
O-Ring Driers	13-298
O-Ring Receiver Driers Specifications	13-303
Push-On Receiver Driers Specifications	13-305
Quick Disconnect Receiver Driers Specifications	13-305
Receiver Drier Mounting Brackets	13-306

SWITCHES

Toggle Switches	13-307
Toggle Switches Specifications	13-310
Rocker Switches	13-311
Rocker Switches Specifications	13-312
Rotary Switches	13-313
Rotary Switches Specifications	13-314
Circuit Breaker Switches	13-315
Circuit Breaker Switches Specifications	13-316
Resistor Switches	13-317
Resistor Switches Specifications	13-317

Thermistor Assembly	13-318	Flare Freon Fittings - Beadlock "Bubble Crimp" Type - R134a Compatible	13-344
Temperature Probe.....	13-318	R-134a Beadlock "Bubble Crimp" Type Fittings	13-344
Relays	13-319	Beadlock Type Compression & Metric Special Fittings Specifications	13-345
Relays Specifications	13-321	R-134a Beadlock "Bubble Crimp" Type Fittings Specifications.....	13-345
Control Knobs.....	13-322	Hose Crimping Procedure	13-347
Changing the Thermostat.....	13-323	Beadlock Fitting Identification.....	13-350
Cable Controlled Thermostats.....	13-324	Torque Recommendations	13-351
Preset Thermostats	13-325	O-Rings	13-352
Preset Thermostat Specifications.....	13-326	Slim-line Seal Used in Freightliner Applications	13-353
Rotary Thermostat Specifications.....	13-328	Mini Stat Seals Used in Freightliner Applications	13-353
Heat Sensing Switch	13-329	O-Ring Specifications.....	13-353
Clutch Switch.....	13-329	O-Ring Kits	13-356
Pressure Switches.....	13-330	Universal O-Ring Assortment Kit.....	13-356
Pressure Switches Specifications	13-334	O-Ring & Service Assortment Kit	13-357
Binary Pressure Switches	13-336	O-Ring & Service Assortment Kit Contents	13-357
Binary Pressure Protection.....	13-336	Job O-Ring Assortment Kit	13-358
Binary Pressure Specifications.....	13-337	Job O-Ring Assortment Kit Contents	13-358
Trinary Pressure Switches.....	13-338	Assortment O-Ring Kit - R12 and R134a Compatible.....	13-359
Trinary Pressure Specifications.....	13-339	Metric O-Ring Kit.....	13-360
		Metric O-Ring Kit Contents.....	13-360
		O-Ring Kit Listing	13-361
		O-Ring Rubber Material Data.....	13-361
FITTINGS			
Sight Glass Moisture Indicators - R134a Compatible.....	13-340		
Moisture Indicator Specifications.....	13-340		
Miscellaneous Fittings	13-341		
Flare Adapters	13-342		
O-Ring Tee Blocks.....	13-342		
T-Fitting	13-343		
Shrader Adapter Fitting	13-343		

HOSES & AIR LINES

Air Lines	13-362
Heater Hose	13-362
Defrost Hose	13-362
Refrigerant Hose	13-363

KITS & ACCESSORIES

Retrofit Kits	13-364
Heavy-Duty Retrofit Adapter Kit	13-364
Heavy-Duty Retrofit Adapter Kit Contents	13-364
R-134a Retrofit Box Assortment Kit	13-365
R-134a Retrofit Box Assortment Kit Contents	13-365
Hose Assembly & Repair Kit	13-366
Hose Ferrule	13-366
Retainer Rings	13-367
Tools & Accessories	13-368
Heavy-Duty Truck & Off-Highway Kits	13-368
Valve Cores & Installation Tools	13-369
Labels	13-370
Keys	13-370
Accessories	13-371

RETROFIT ADAPTERS

Ports & Adapters	13-372
R-134a Retro Fit Steel In-Line Mounted Adapters	13-373
R-134a Retro Fit Steel Adapters	13-373
Steel Port Mounted Adapters	13-374

SERVICE EQUIPMENT

Dial Thermometer	13-375
Gaskets	13-375
Rotary Vane Vacuum Pump - R134a	13-376
Vacuum Pump Oil	13-376
Compressor Tool Kit	13-377
A/C Flush Equipment	13-379
Miscellaneous Service Equipment	13-380
Manifold Gauge Sets	13-380
R-134a Dispensing Tools	13-381
A/C Service Products	13-381

CHEMICALS & LUBRICANTS

Refrigerant Oil	13-385
Mineral Oil	13-385
Sanden Compressor Oil	13-386
Castrol to Sanden Refrigerant Oil Comparison	13-386
Castrol A/C Flush	13-386
Castrol Retro A/C - Polyol Ester Oil	13-387
Castrol Retro A/C - Polyalkylene Glycol	13-387
Oil with UV Dye	13-388
Oil Charge	13-389
Castrol Maxi-Charge	13-389
Castrol Lube & Seal	13-389
Castrol Leak Stop	13-389
Chemical & Lubricant Specifications	13-390

MISCELLANEOUS COMPONENTS

Miscellaneous Components 13-391

HVAC CROSS REFERENCE

HVAC Cross Reference 13-394

HVAC MEDIUM/HEAVY DUTY APPLICATIONS TABLE

FREIGHTLINER HIGH VOLUME PARTS LIST

QUICK REFERENCE SHEET/ INVENTORY ASSISTANCE

AIR FILTERS

Table 13-1: Freightliner High Volume Parts List - Air Filters

TRP® Part No.	OEM Part No.	Alliance Part No.
GE11450	I91559	
GD11450	22-44665-000	
GD11650	BOA-80-319-00-159	
GD11400	A22-46891-000	
GE11500	I91560	
GE11550	I91595	
GD11750	BOA91621	

BLOWER MOTORS

Table 13-2: Freightliner High Volume Parts List - Blower Motors

TRP® Part No.	OEM Part No.	Alliance Part No.
HA18700	BOA-85-440-50-009	ABP N83 301017, 301307
HA21550	BOA-80-415-00-789	ABP N83 301137, 301317
HA21700	BOA-85-462-50-009	ABP N83 301327, 301527
HA21600	BOA-80-414-00-179	ABP N83 301147
HA21650	BOA-85-414-00-189	ABP N83 301037
HA23850	BOA 94350, BOA D8587	
HA24050	VCC 35000002, VCC35000003, VCC T1000904A	

CLUTCHES

Table 13-3: Freightliner High Volume Parts List - Clutches

TRP® Part No.	OEM Part No.	Alliance Part No.
KA10400	CFC 024-21590	ABP N83 303082
KA14000	CFC 024-25244	ABP N83 303113
KA15250	CFC 024-25238	ABP N83 303063
KA15350	CFC 024-25241	ABP N83 303103
KA14050	CFC 024-25247	ABP N83 303123

COMPRESSORS

Table 13-4: Freightliner High Volume Parts List - Compressors

TRP® Part No.	OEM Part No.	Alliance Part No.
LC2140	CFC ET210L-25334	ABP N83 304071
LC2100	CFC ET210L-25150	ABP N83 304061
KA1040 and LC2100	CFC ET210L-25073C	ABP N83 304101
KA1525 and LC2100	CFC ET210L-25237C	ABP N83 304141
4314SAN	4314S	
4485SAN	4417	ABP N83 304783
4482SAN	4421	ABP N83 304793
LE1695	4430	ABP N83 304813
4477SAN	4431	ABP N83 304823
4477SAN	22-47692-000	ABP N83 304063
LE1305	22-47691-000	ABP N83 304073
4488SAN	22-47690-000	ABP N83 304083
LE1700	22-48437-000	ABP N83 304893
LE1705	4776	ABP N83 304113
4818SAN	4818	ABP N83 304123
4819SAN	4819	ABP N83 304903

FREIGHTLINER APPLICATION

AIR DISTRIBUTION PARTS

FLB SERIES

Table 13-5: Freightliner Application - Air Distribution Parts - FLB Series

TRP® Part No.	Year	Model	Description	OEM Part No.
DA11500	2000	FLB	Air Cylinder	BOA-80-618-00-009
DA11600	2000	FLB	Air Cylinder	BOA-80-618-00-069, ABP N83 318163

FL-SERIES (BUSINESS CLASS)

Table 13-6: Freightliner Application - Air Distribution Parts - FL Series (Business Class)

TRP® Part No.	Year	Model	Description	OEM Part No.
GB13350	1994-2001	FL50, FL60, FL70, FL80, FL106, FL112	Benzel Louver	22-20576-001

FLD-SERIES, CLASSIC XL

Table 13-7: Freightliner Application - Air Distribution Parts - FLD Series, Classic XL

TRP® Part No.	Year	Model	Description	OEM Part No.
GB12350	1991-2001	FLD 120, FLD112, Classic XL	Louver	ABP N83 317001
DA11500	2000-2002	FLD 120, FLD112, Classic XL	Air Cylinder	BOA-80-618-00-009
DA11500	2007	Classic 120	Air Cylinder	BOA-80-618-00-009

C-SERIES

Table 13-8: Freightliner Application - Air Distribution Parts - C-Series

TRP® Part No.	Year	Model	Description	OEM Part No.
DA11600	1997-2001	C120, C112, COLUMBIA 120	Air Cylinder	BOA-80-618-00-069, ABP N83 318163

TRP® Part No.	Year	Model	Description	OEM Part No.
GB13350	1997-2001	C120, C112	BENZEL Louver	22-20576-001
GB13500	1997-2001	C120, C112	Louver, Round 3"	A22-40223-000
DA11500	2000	COLUMBIA 120	Air Cylinder	BOA-80-618-00-009

AIR FILTERS

C-SERIES

Table 13-9: Freightliner Application - Air Filters - C-Series

TRP® Part No.	Year	Model	Description	OEM Part No.
GD11450	1997-2005	C120, C112	Air Filter	22-44665-000, ABP N83 328345
GE11500	2002-2005	C120, C112, COLUMBIA, CORONADO	Main Unit with Charcoal Particulate	I 91560

SLEEPER UNITS

Table 13-10: Freightliner Application - Air Filters - Sleeper Units

TRP® Part No.	Year	Model	Description	OEM Part No.
GD11650	1997-2006	C120, C112, COLUMBIA 112, COLUMBIA 120	Sleeper Units (BEHR) (Aftermarket)	BOA-80-319-00-159
GD11400	1999-2006	C120, C112, COLUMBIA 120, COLUMBIA 112	Sleeper Units (BEHR) (OE)	A22-46891-000
GD11650	2000-2002	FLB, FLC	Sleeper	BOA-80-319-00-159
GD11650	2002-2005	FLD 120, FLD 112, FLD 132	Sleeper	BOA-80-319-00-159
GD11400	2002-2007	FLD 120, FLD 112, FLD 132	Sleeper	A22-46891-000

BLOWER MOTORS

W-SERIES

Table 13-11: Freightliner Application - Blower Motors - W Series

TRP® Part No.	Year	Model	Description	OEM Part No.
HA19950	1973-80	WFC, WFT	Main Unit (with Double Shaft)	A22-4251-000, ABP N83 301092

FLC, FLT SERIES

Table 13-12: Freightliner Application - Blower Motors - FLC, FLT Series

TRP® Part No.	Year	Model	Description	OEM Part No.
HA19950	1973-88	FLC, FLT	Main Unit (Double Shaft 1 Speed)	A22-4251-000, ABP N83 301092
HA18700	1991-99	FLC 112	Main Unit	BOA-85-440-50-009, ABP N83 301307

FLB, FLN, FLL-SERIES

Table 13-13: Freightliner Application - Blower Motors

TRP® Part No.	Year	Model	Description	OEM Part No.
HA18700	1991-99	FLB, FLC 112, FLN	Main Unit	BOA-85-440-50-009, ABP N83 301307
HA18700	1994-2002	FLB, FLL	Main Unit (Assembly)	BOA-85-440-50-009, ABP N83 301307
HA21550	2000	FLB	Main Unit	BOA-80-415-00-789, ABP N83 301317

FL-SERIES (BUSINESS CLASS)

Table 13-14: Freightliner Application - Blower Motors - FL-Series (Business Class)

TRP® Part No.	Year	Model	Description	OEM Part No.
HA18700	1994-2006	FL50, FL60, FL70, FL80, FL106, FL112	Main Unit (Assembly)	BOA-85-440-50-009, ABP N83 301307

FLD, FLS-SERIES, CLASSIC XL

Table 13-15: Freightliner Application - Blower Motors - FLD, FLS-Series, Classic XL

TRP® Part No.	Year	Model	Description	OEM Part No.
HA18700	1991-2007	FLD 120, FLD112, FLD 132, Classic XL	Main Unit (Assembly)	BOA-85-440-50-009, ABP N83 301307

C-SERIES

Table 13-16: Freightliner Application - Blower Motors - C-Series

TRP® Part No.	Year	Model	Description	OEM Part No.
HA21550	1996-2001	C120, C112, COLUMBIA	Main Unit (Assembly)	BOA -80-415-00-789, ABP N83 301317
HA18700	2000	COLUMBIA 120, COLUMBIA 112	Main Unit (Assembly)	BOA-85-440-50-009, ABP N83 301307
HA23850	2002-2007	C120, C112, COLUMBIA, CORONADO	Main Unit	BOA 94350 / BOA D8587

BLOWER WHEELS

FLC, FLT-SERIES

Table 13-17: Freightliner Application - Blower Wheels - FLC, FLT-Series

TRP® Part No.	Year	Model	Description	OEM Part No.
HA18700	1998	C120, FLB	Sleeper Unit (BEHR)	BOA-85-440-50-009, ABP N83 301307
HA21700	1998-2005	C120, C112, COLUMBIA 120, COLUMBIA 112, FLB, FLC	Sleeper Unit (BEHR)	BOA-85-462-50-009- 00, ABP N83 301327 ABP N83 301527
HA21700	1999-2007	FLD 120, FLD 112, FLD 132	Sleeper Unit (BEHR)	BOA-85-462-50-009- 00, ABP N83 301327 ABP N83 301527
HA23850	2003-2007	C120, COLUMBIA 120, COLUMBIA 112, CORONADO 132	Sleeper Unit (BEHR)	BOA 94350 / BOA D8587

SLEEPER UNITS

Table 13-18: Freightliner Application - Blower Wheels - Sleeper Units

TRP® Part No.	Year	Model	Description	OEM Part No.
HC10250	1982-88	All	Sleeper Unit	RDH RD310614, ABP N83 302021
HC10250	1989-97	All	with RED DOT Sleeper Unit (R4290-0)	RDH RD310614, ABP N83 302021
HC13250	1989-97	All	with RED DOT Sleeper Unit (R4190-0)	RDH RD5 5601 0, ABP N83 302061
HC13250	2007	FLD Series	with RED DOT Sleeper Unit (R4290-0)	RDH RD5 5601 0, ABP N83 302061

CLUTCHES

ZEXEL

Table 13-19: Freightliner Application - Clutches - ZEXEL

TRP® Part No.	OEM Part No.	Description
KA10250	A22-19726-001, ABP N83 303202	ZEXEL Diesel KIKI, CH Series, 2 GR. 5-1/4" Diameter
KA10550	ABP N83 303261	ZEXEL Diesel KIKI, CH Series, 1 GR. 4.9" Diameter Overhang

TCCI

Table 13-20: Freightliner Application - Clutches - TCCI

TRP® Part No.	OEM Part No.	Description
KA10450	A22-11671-000, ABP N83 303011	TCCI 1 GR. 6-3/4" Diameter Pulley
KA10400	024-25190, ABP N83 303002	TCCI 2 GR. 6" Pulley with Diode
KA10350	A22-22498-000, ABP N83 303102	TCCI 2 GR. 7" Diameter Pulley
KA10950	024-21942, ABP N83 303051	TCCI 1 GR. 6" Diameter
KA14100	024-25114, ABP N83 303107	TCCI 6 GR. 1 Wire Far Forward
KA14850	024-25171, ABP N83 303017	TCCI 8 GR. 6.1" Pulley
KA15250	024-25238, ABP N83 303063	TCCI 2 GR. with Dual Lead Wire
KA14000	024-25244, ABP N83 303113	TCCI 6 GR. with Dual Lead Wire Far Forward
KA15350	024-25241, ABP N83 303103/303127	TCCI 6 GR. with Dual Lead Wire
KA14050	024-25247, ABP N83 303123	TCCI 8 GR. with Dual Lead Wire

COMPRESSORS

TCCI - R-12/R-134A COMPRESSORS WITHOUT VALVES & WITH ESTER OIL

Table 13-21: Freightliner Application: Compressors - TCCI - R-12/R-134A Compressors without Valves & with Ester Oil

TRP® Part No.	Year	Model	Description	OEM Part No.
RD5-8637-0			ROTOLOCK Type Head with TEFLON O-Rings	ER210L-25149, ABP N83 304081

TCCI - COMPRESSOR CLUTCH COMBINATION

Table 13-22: Freightliner Application: Compressors - TCCI - Compressor Clutch Combination

TRP® Part No.	Year	Model	Description	OEM Part No.
KA10400	1996-1998	C120, FLB, FLC, FLD 120, Classic XL, FL Series	DETROIT Series 50 & 60, CAT 3406, Cummins L10, M11 & N14	ET210L-25073C, 22-44082-000, ABP N83 304101
KA15250	1997-1998	C112, 2000 COLUMBIA 120, COLUMBIA 112, FLB, FLC, 2007 FLD	DETROIT Series 60, CAT 3406, Cummins M11 & N14	ET210L-25237C, 22-47510-000, ABP N83 304141
KA14050	1998	FLC, 1999-2000 C112, C120	DETROIT Series 60 with Pad Mount Bracket	ET210L-25246C, 22-47558-000, ABP N83 304201

ZEXEL/DIESEL KIKI/SELTEC/ICE - R-134A COMPRESSOR WITH PAG OIL AND NO CHARGING PORTS

Table 13-23: Freightliner Application: Compressors - Zexel/Diesel KIKI/SELTEC/ICE - R-134A Compressor with PAG Oil and No Charging Ports

TRP® Part No.	Year	Model	Description	OEM Part No.
103-55011			Diesel KIKI TM15CH with 2 GR. 5-1/4" Diameter without Ports	488-45011, ABP N83 304025

CONDENSERS

ALL

Table 13-24: Freightliner Application: Condensers - All

TRP® Part No.	Year	Model	Description	OEM Part No.
PA10050		All with OEM No.	Radiator Mount (27.25" x 15" x .75")	22-25255-000

FLA SERIES

Table 13-25: Freightliner Application: Condensers - FLA Series

TRP® Part No.	Year	Model	Description	OEM Part No.
PB12650	1992-98	FLA	with BEHR Condenser (29" x 20")	22-39302-001, 19756S, ABP N83 306170

FLB, FLL SERIES

Table 13-26: Freightliner Application: Condensers - FLB, FLL Series

TRP® Part No.	Year	Model	Description	OEM Part No.
PA15650	2000	FLB	CATERPILLAR Engine	22-42084-002, 19893S, ABP N83 306275
PA15600	2000	FLB	Cummins Engine	22-32466-001,19757S, ABP N83 306190
PA15700	2000	FLL	DETROIT Series, CATERPILLAR	680-830-03-70, 19836S

FLC, W-SERIES 320

Table 13-27: Freightliner Application: Condensers - FLC, W-Series 320

TRP® Part No.	Year	Model	Description	OEM Part No.
PA14450	1972-86	FLC, WFC, WFT 320		22-14434-1

TRP® Part No.	Year	Model	Description	OEM Part No.
PA15650	2000	FLC	CATERPILLAR Engine	22-42084-002, 19893S, ABP N83 306275

FL-SERIES (BUSINESS CLASS)

Table 13-28: Freightliner Application: Condensers - FL-Series (Business Class)

TRP® Part No.	Year	Model	Description	OEM Part No.
PA15700	1994-2005	FL50, FL60, FL70, FL80, FL106, FL112	CATERPILLAR, DETROIT 50 Series, MERCEDES Engine, with Radiator Mount	680-830-03-70, 19836S
PB13150	1997-2002	FL50, FL60, FL70, FL80, FL106, FL112	CATERPILLAR, Cummins Engine	22-43941-000

FLD-SERIES, CLASSIC XL

Table 13-29: Freightliner Application: Condensers - FLD-Series, Classic XL

TRP® Part No.	Year	Model	Description	OEM Part No.
PB12650	1992-99	FLD 120, FLD112, Classic XL	DETROIT, CATERPILLAR, Cummins with BEHR CONDENSER (29" x 20"X 1")	22-39302- 001,19756S, ABP N83 306170
PA15600	1991-1999	FLD 120, FLD112, Classic XL	Radiator Mount (30" x 10" x 1.75")	22-32466-001,19757S, ABP N83 306190
PB13150	2001-2005	FLD 112	CATERPILLAR, Cummins Engine	22-43941-000
PA15600	2007	FLD 132	Cummins Engine	22-32466-001,19757S, ABP N83 306190

C-SERIES

Table 13-30: Freightliner Application: Condensers - C-Series

TRP® Part No.	Year	Model	Description	OEM Part No.
PA15650	08/1996- 2001	C120, C112, COLUMBIA 120, COLUMBIA 112	Cummins ENGINE, with Radiator Mount	22-42084-002, 19893S, ABP N83 306275

EVAPORATOR CORES

FLB, FLL-SERIES

Table 13-31: Freightliner Application - Evaporator Cores - FLB, FLL-Series

TRP® Part No.	Year	Model	Description	OEM Part No.
NA14750	2000	FLB	Main Unit	BOA-80-375-00-589, ABP N83 307080

FLC-SERIES

Table 13-32: Freightliner Application - Evaporator Cores - FLC-Series

TRP® Part No.	Year	Model	Description	OEM Part No.
NA14750	2000	FLC	Main Unit	BOA-80-375-00-589, ABP N83 307080

FLD-SERIES, CLASSIC XL

Table 13-33: Freightliner Application - Evaporator Cores - FLD-Series, Classic XL

TRP® Part No.	Year	Model	Description	OEM Part No.
NA12800	1991-93	FLD 120, FLD112, Classic XL	Main Unit	BOA-730004-02, ABP N83 307390
NA10400	1994-2003	FLD 120, FLD 112	Main Unit with RED DOT (R4190-0)	RD2-1402-0, ABP N83 307110

C-SERIES

Table 13-34: Freightliner Application - Evaporator Cores - C-Series

TRP® Part No.	Year	Model	Description	OEM Part No.
NA14750	1997-2001	C120, C112, COLUMBIA 120, COLUMBIA 112	Main Unit	BOA-80-375-00-589, ABP N83 307080

SLEEPER UNITS

Table 13-35: Freightliner Application - Evaporator Cores - Sleeper Units

TRP® Part No.	Year	Model	Description	OEM Part No.
NA10400	1989-97	All	Sleeper Unit with RED DOT (R4190-0)	RD2-1402-0, ABP N83 307110
MC16400	2000-2002	C120, C112, COLUMBIA 120, COLUMBIA 112, FLB	Sleeper Unit (Combo Heater & Evaporator Assembly)	BOA-80-377-00-249, ABP N83 315910
MC16550	2000-2002	C120, C112, FLD 120, FLD 112, Classic XL	Sleeper Unit (Combo Heater & Evaporator Assembly)	BOA-80-373-00-209, ABP N83 307720
MC16400	2000-2002	FLD 120, FLD 112, Classic XL	Sleeper Unit (Combo Heater & Evaporator Assembly)	BOA-80-377-00-249, ABP N83 315910
NA10400	2007	FLD 120, FLD 112, FLD 132	Sleeper Unit with RED DOT (R4290-0)	RD2-1402-0, ABP N83 307110

EXPANSION VALVES

FLT, FLP-SERIES

Table 13-36: Freightliner Application - Expansion Valves - FLT, FLP-Series

TRP® Part No.	Year	Model	Description	OEM Part No.
EA10650	1981-93	FLT, FLP	Main Unit	SIO 329-015, BOA-80-321-00-079, ABP N83 308011

FLB, FLL SERIES

Table 13-37: Freightliner Application - Expansion Valves - FLB, FLL Series

TRP® Part No.	Year	Model	Description	OEM Part No.
AB31000	1994-2000	FLB, FLL	Main Unit	A22-45432-000, ABP N83 308009
EA14300	2000	FLL	Main Unit	A22-45432-001

FLC, W-SERIES

Table 13-38: Freightliner Application - Expansion Valves - FLC, W-Series

TRP® Part No.	Year	Model	Description	OEM Part No.
EA14400	2000	FLB	Main Unit	BOA-80-321-00-229, ABP N83 308906
EA10750	1976-88	FLC, WFC, WFT	Main Unit	A22-18591-000, ABP N83 308071
EA10800	1988-92	FLC, WFC, WFT	Main Unit	BOA-80-321-00-079
AB31000	1989-93	FLC, WFC, WFT	Main Unit	A22-45432-000, ABP N83 308009
AB31000	1998-2000	FLC	Main Unit	A22-45432-000, ABP N83 308009

FL-SERIES (BUSINESS CLASS)

Table 13-39: Freightliner Application - Expansion Valves - FL-Series (Business Class)

TRP® Part No.	Year	Model	Description	OEM Part No.
AB31000	1994-2000	FL50, FL60, FL70, FL80, FL106, FL112	Main Unit (2 TON Valve)	A22-45432-000, ABP N83 308009
EA14300	2000-2005	FL50, FL60, FL70, FL80, FL106, FL112	Main Unit (1-1/2 TON Valve)	A22-45432-001

FLD-SERIES, CLASSIC XL

Table 13-40: Freightliner Application - Expansion Valves - FLD-Series, Classic XL

TRP® Part No.	Year	Model	Description	OEM Part No.
AB31000	1991-2002	FLD 120, FLD112, Classic XL	Main Unit	A22-45432-000, ABP N83 308009

C-SERIES

Table 13-41: Freightliner Application - Expansion Valves - C-Series

TRP® Part No.	Year	Model	Description	OEM Part No.
AB31000	1996-2000	C120, C112	Main Unit	A22-45432-000, ABP N83 308009
EA14400	2000-2002	C120, C112, COLUMBIA 120, COLUMBIA 112	Main Unit (Nick Type Expansion Valve)	BOA-80-321-00-229, ABP N83 308906

SLEEPER UNITS

Table 13-42: Freightliner Application - Expansion Valves - Sleeper Units

TRP® Part No.	Year	Model	Description	OEM Part No.
EA10650	1982-97	All	Sleeper Unit (R-4290, R-4190 & R-4060)	71R8300

HEATER CORES

FL-SERIES (BUSINESS CLASS)

Table 13-43: Freightliner Application - Heater Cores - FL-Series (Business Class)

TRP® Part No.	Year	Model	Description	OEM Part No.
EA10650	2003	Classic 120, FLD 112	Sleeper Unit (RED DOT)	RDH RD4157 0, ABP N83 308011
EA10650	2007	FLD 120, FLD 112, FLD 132	Sleeper Unit (RED DOT)	RDH RD5 7125 0, ABP N83 308011
MC15850	1991-1999	FL50, FL60, FL70, FL80, FL106, FL112	Main Unit	BOA-85-200-71-009, ABP N83 315060

TRP® Part No.	Year	Model	Description	OEM Part No.
MC15800	2005	FL50, FL60, FL70, FL80, FL106, FL112	Main Unit	BOA-80-373-00-109, ABP N83 315025

FLB, FLL-SERIES

Table 13-44: Freightliner Application - Heater Cores - FLB, FLL-Series

TRP® Part No.	Year	Model	Description	OEM Part No.
MC15800	1994-2000	FLB, FLL	Main Unit	BOA-80-373-00-109, ABP N83 315025
MC15900	2000	FLB	Main Unit	BOA-85-430-71-009, ABP N83 315010
MC15850	2000	FLL	Main Unit	BOA-85-200-71-009, ABP N83 315060
MC12550	2003	Classic 120	w/ RED DOT Sleeper Unit (R4290 Combo & Heater Only CTC)	RD1-0755-0, ABP N83 315180

FLD-SERIES, CLASSIC XL

Table 13-45: Freightliner Application - Heater Cores - FLD-Series, Classic XL

TRP® Part No.	Year	Model	Description	OEM Part No.
MC15800	1994-2002	FLD 120, FLD112, Classic XL	Main Unit	BOA-80-373-00-109, ABP N83 315025
MC15800	2001-2007	FLD 120, FLD 112, FLD 132	Main Unit	BOA-80-373-00-109, ABP N83 315025
MC15800	2003-2007	Classic 120	Main Unit	BOA-80-373-00-109, ABP N83 315025

C-Series

Table 13-46: Freightliner Application - Heater Cores - C-Series

TRP® Part No.	Year	Model	Description	OEM Part No.
MC15900	1998-2002	C120, C112	Main Unit	BOA-85-430-71-009, ABP N83 315010
MC15800	2000	COLUMBIA 120 & 112	Main Unit	BOA-80-373-00-109, ABP N83 315025
MC15900	2001-2002	COLUMBIA 120 & 112	Main Unit	BOA-85-430-71-009, ABP N83 315010

SLEEPER UNITS

Table 13-47: Freightliner Application - Heater Cores - Sleeper Units

TRP® Part No.	Year	Model	Description	OEM Part No.
MC12550	1989-97	All	with RED DOT Sleeper Unit (R4290 Combo & Heater Only CTC)	RD1-0755-0, ABP N83 315180
MC12550	1998	FLD 120, FLD 112	with RED DOT Sleeper Unit (R4290 Combo & Heater Only CTC)	RD1-0755-0, ABP N83 315180
MC16550	1998	C120, C112	Sleeper Unit ((Combo Heater & Evaporator Assembly))	BOA-80-373-00-209, ABP N83 307720
MC12550	1998-2000	FLL	with RED DOT Sleeper Unit (R4290 Combo & Heater Only CTC)	RD1-0755-0, ABP N83 315180
MC16400	2000-2002	C120, C112, COLUMBIA 120, COLUMBIA 112, FLB, FLD 120, FLD 112, Classic XL	Sleeper Unit (Combo Heater & Evaporator Assembly)	BOA-80-377-00-249, ABP N83 319510
MC16550	2000-2002	FLD 120, FLD 112, Classic XL	Sleeper Unit (Combo Heater & Evaporator Assembly)	BOA-80-373-00-209, ABP N83 307720
MC12550	2003	Classic 120	with RED DOT Sleeper Unit (R4290 Combo & Heater Only CTC)	RD1-0755-0, ABP N83 315180

KNOBS & CONTROL CABLES

C-SERIES

Table 13-48: Freightliner Application - Knobs & Control Cables - C-Series

TRP® Part No.	Year	Model	Description	OEM Part No.
FD12250	1997-2007	C120, C112, COLUMBIA 120, COLUMBIA 112, CORONADO 132, FLB	Control Knob - Sleeper Unit	22-44270-001
FD12350	1998-2000	FLB, FLD, FLL	Control Knob - Sleeper Unit	22-23372-000

PRESSURE SWITCHES

ALL

Table 13-49: Freightliner Application - Pressure Switches - All

TRP® Part No.	Year	Model	Description	OEM Part No.
BC10000	1972-94		Female Trinary Switch (RED DOT)	RD5-4583-0, ABP N83 318029
BC10050	1972-94		Male Trinary Switch (RED DOT)	RD5-4585-0, ABP N83 318039
BB10000	1974-93		Low Pressure Switch - Dryer	085108-00
BB11050		All with OEM No.	Low Pressure Switch	BOA-80-941-00-063, ABP N83 318064

W-SERIES

Table 13-50: Freightliner Application - Pressure Switches - W-Series

TRP® Part No.	Year	Model	Description	OEM Part No.
BB10000	1982-88	WFC, WFT	Low Pressure Switch	RD4191-0, ABP N83 318014
BA11400	1973-76	WFT320	Overheat/Safety Switch	RD4527-0, ABP N83 322045
BA16150	1997-2001	C120, C112	Pressure Switch, with A-Pads	8040279

M2-SERIES (BUSINESS CLASS)

Table 13-51: Freightliner Application - Pressure Switches - M2-Series (Business Class)

TRP® Part No.	Year	Model	Description	OEM Part No.
BA15200	2002-2007	M2 106, M2 112	Fan Cycling Switch, M10 Gold	A22-45194-001

FL-SERIES (BUSINESS CLASS)

Table 13-52: Freightliner Application - Pressure Switches - FL-Series (Business Class)

TRP® Part No.	Year	Model	Description	OEM Part No.
BB14550	1994-99	FL50, FL60, FL70, FL80, FL106, FL112	Binary	FJK SP4071, A22-36474-000, ABP N83 318109

TRP® Part No.	Year	Model	Description	OEM Part No.
BB10500	1994-2003	FL50, FL60, FL70, FL80, FL106, FL112	High Pressure	A22-30930-000, ABP N83 322315
BB11050	1994-2003	FL50, FL60, FL70, FL80, FL106, FL112	Low Pressure Switch	BOA-80-941-00-063, ABP N83 318064

FLA, FLB, FLC, FLL-SERIES

Table 13-53: Freightliner Application - Pressure Switches - FLA, FLB, FLC, FLL-Series

TRP® Part No.	Year	Model	Description	OEM Part No.
BC10000	1994-2003	FL50, FL60, FL70, FL80, FL106, FL112	Female Trinary Switch (RED DOT)	RD5-4583-0, ABP N83 318029
BC10050	1994-2003	FL50, FL60, FL70, FL80, FL106, FL112	Male Trinary Switch (RED DOT)	RD5-4585-0, ABP N83 318039
BB14600	1994-2003	FL50, FL60, FL70, FL80, FL106, FL112	with FUJIKOKI Binary (Metric)	A22-43249-000, ABP N83 318179
BA16100	1994-2005	FL50, FL60, FL70, FL80, FL106, FL112	Pressure Switch, with A-Pads	A22-45194-000
BA16200	2000-2002	FL50, FL60, FL70, FL80, FL106, FL112	Binary	22-51296-000, ABP N83 318209
BB14550	1991-1998	FLA, FLB	with FUJIKOKI Binary (Standard)	FJK SP4071, A22- 36474-000, ABP N83 318109
BB14600	1994-2002	FLA, FLB	with FUJIKOKI Binary (Metric)	A22-43249-000, ABP N83 318179
BA15200	1994-2002	FLA, FLB	Fan Cycling Switch, M10 Gold	A22-45194-001
BA16100	1994-2004	FLA, FLB	Pressure Switch, with A-Pads	A22-45194-000
BA16150	2000	FLC	Pressure Switch, with A-Pads	8040279

FLD-SERIES, CLASSIC XL

Table 13-54: Freightliner Application - Pressure Switches - FLD-Series, Classic XL

TRP® Part No.	Year	Model	Description	OEM Part No.
BB10500	1991-1997	FLD120, FLD112, Classic XL	High Pressure	A22-30930-000, ABP N83 322315

TRP® Part No.	Year	Model	Description	OEM Part No.
BB14550	1991-1998	FLD120, FLD112, Classic XL	with FUJIKOKI Binary (Standard)	FJK SP4071, A22-36474-000, ABP N83 318109
BB11050	1991-1999	FLD120, FLD112, Classic XL	Low Pressure Switch	BOA-80-941-00-063, ABP N83 318064
BA15200	1994-2002	FLD120, FLD112	Fan Cycling Switch, M10 Gold	A22-45194-001
BB14600	1994-2003	FLD120, FLD112, Classic XL	with FUJIKOKI Binary (Metric)	A22-43249-000, ABP N83 318179
BA16100	1994-2004	FLD120, FLD112	Pressure Switch, with A-Pads	A22-45194-000
BA16200	2000-2007	FLD120, FLD112, Classic XL	Binary	22-51296-000, ABP N83 318209

C-SERIES

Table 13-55: Freightliner Application - Pressure Switches - C-Series

TRP® Part No.	Year	Model	Description	OEM Part No.
BA16200	1997-2007	C120, C112	Binary	22-51296-000, ABP N83 318209
BA15200	1997-2007	C120, C112, COLUMBIA	Fan Cycling Switch, M10 Gold	A22-45194-001
BA16050	1997-2001	C120, C112	Pressure Switch 65-75 PSI	FSC 1749-1907
BA16100	1997-2001	C120, C112	Pressure Switch, with A-Pads	A22-45194-000
BA16150	1997-2001	C120, C112	Pressure Switch, with A-Pads	8040279

RECIEVER DRIERS/ ACCUMULATORS

COE & CONVENTIONAL

Table 13-56: Freightliner Application - Reciever Dryers/ Accumulators - COE & Conventional

TRP® Part No.	Year	Model	Description	OEM Part No.
JA11300	1981-85	Conventional, COE	Male & Male O-Ring with Fuse Plug, Low Pressure Switch	A22-14425-3, ABP N83 319000

TRP® Part No.	Year	Model	Description	OEM Part No.
JA20000	1972-91	COE	Male & Male O-Ring with Fuse Plug	A22-14425-2, 085098-00, ABP N83 319620

FLB, FLC, FLP, W-SERIES

Table 13-57: Freightliner Application - Receiver Dryers/ Accumulators - FLB, FLC, FLP, W-Series

TRP® Part No.	Year	Model	Description	OEM Part No.
JA17550	1988	WFT	Male & Female O-Ring with Fuse Plug HPRV & MI	A22-32150-0, PH088184-00, ABP N83 319300
JA11300	1978-88	FLC, FLT, WFC	Male & Male with Female Switch Port	A22-14425-3, ABP N83 319000
JA17900	1986-89	FLD, FLC, FLT	Male & Male O-Ring HPRV, MI IN Cap	A22-28796-000, 088193-00, ABP N83 319684
JA17550	1988-92	FLC, FLP, WFC, WFT	Male & Male O-Ring with 2 Gage PortS, MI IN Cap, HPRV	A22-37199-000, ABP N83 319694
JA18850	1998-2002	FLB, FLC, FLL	Male & Female O-Ring with MI, 2 Male PortS, Spring Loaded	088335-00, ABP N83 319510, 088535-00, ABP N83 319614

FL-SERIES (BUSINESS CLASS)

Table 13-58: Freightliner Application - Receiver Dryers/ Accumulators - FL-Series (Business Class)

TRP® Part No.	Year	Model	Description	OEM Part No.
JA18850	1994-2005	FL50, FL60, FL70, FL80, FL106, FL112	Male & Female O-Ring with MI, 2 Male PortS, Spring Loaded	088335-00, ABP N83 319510, 088535-00, ABP N83 319614

M2-SERIES (BUSINESS CLASS)

Table 13-59: Freightliner Application - Receiver Dryers/ Accumulators - M2-Series (Business Class)

TRP® Part No.	Year	Model	Description	OEM Part No.
JA22150	2002-2007	M2 106, M2 112	Receiver Dryer with Pad Mount	088446-00, ABP N83 319534, 088502-00, ABP N83 319544

TRP® Part No.	Year	Model	Description	OEM Part No.
JA18850	2002-2007	M2 106, M2 112	Male & Female O-Ring with MI, 2 Male PortS, Spring Loaded	088335-00, ABP N83 319510, 088535-00, ABP N83 319614

FLD-SERIES, CLASSIC XL

Table 13-60: Freightliner Application - Receiver Dryers/ Accumulators - FLD-Series, Classic XL

TRP® Part No.	Year	Model	Description	OEM Part No.
JA17550	1991-92	FLD120, FLD112, Classic XL	Male & Male O-Ring with 2 Gage PortS, MI IN Cap, HPRV	A22-37199-000, ABP N83 319694
JA17950	1993-94	FLD120, FLD112, Classic XL	with Quick Disconnect	088293-00, ABP N83 319724
JA17400	1993-94	FLD120, FLD112, Classic XL	Male & Female O-Ring with HPRV, MI, 2 Gage PortS	088282-00, ABP N83 319714

C-SERIES

Table 13-61: Freightliner Application - Receiver Dryers/ Accumulators - C-Series

TRP® Part No.	Year	Model	Description	OEM Part No.
JA20200	1994-2001	FLD120, FLD112, Classic XL	with Quick Disconnect	088336-00, ABP N83 319610, 088536-00, ABP N83 319624
JA18850	1994-2007	FLD 120, FLD112, Classic XL	Male & Female O-Ring with MI, 2 Male PortS, Spring Loaded	088335-00, ABP N83 319510, 088535-00, ABP N83 319614
JA18850	1996-2001	C120, C112, COLUMBIA	Male & Female O-Ring with 2 Metric PortS	088335-00, ABP N83 319510, 088535-00, ABP N83 319614
JA22150	2001-2003	C120, C112, COLUMBIA, CORONADO	Receiver Dryer with Pad Mount	088446-00, ABP N83 319534, 088502-00, ABP N83 319544

RELAYS

ALL

Table 13-62: Freightliner Application - Relays - All

TRP® Part No.	Year	Model	Description	OEM Part No.
CB10800	1974-2000	All	Compressor Clutch Relay	POTVF4 15F11, ABP N83 320020
CB10050	1974-2000	All	Compressor Clutch Relay (BOSCH Type)	0332-204-101, ABP N83 320140

FL-SERIES (BUSINESS CLASS)

Table 13-63: Freightliner Application - Relays - FL-Series (Business Class)

TRP® Part No.	Year	Model	Description	OEM Part No.
CB13300	1994-2001	FL50, FL60, FL70, FL80, FL106, FL112	Relay	680-545-00-05, ABP N83 320250

FLB, FLL-SERIES

Table 13-64: Freightliner Application - Relays - FLB, FLL-Series

TRP® Part No.	Year	Model	Description	OEM Part No.
CB10050	1998-2000	FLB, FLL	Relay, 12V Mini - Sleeper Cab	0332-204-101, ABP N83 320140
CB13400	2000	FLB	Relay, 12V Mini - Sleeper Cab	23-11276-100, POT VF2815F14S01

FLD-SERIES, CLASSIC XL

Table 13-65: Freightliner Application - Relays - FLD-Series, Classic XL

TRP® Part No.	Year	Model	Description	OEM Part No.
CB10050	2003	Classic 120	Relay, 12V Mini - Sleeper Cab	0332-204-101, ABP N83 320140
CB10050	1998-2007	FLD 120, FLD 112	Relay, 12V Mini - Sleeper Cab	0332-204-101, ABP N83 320140

C-SERIES

Table 13-66: Freightliner Application - C-Series

TRP® Part No.	Year	Model	Description	OEM Part No.
CB13400	1997-2005	C120, C112, COLUMBIA	Relay, 12V Mini - Sleeper Cab	23-11276-100, POT VF2815F14S01
CB13350	1997-2005	C120, C112	Relay, Micro - Sleeper Cab	POT VM2815F24S01
CB10050	2000	COLUMBIA	Relay, 12V Mini - Sleeper Cab	0332-204-101, ABP N83 320140

RESISTORS

ALL

Table 13-67: Freightliner Application - Resistors

TRP® Part No.	Year	Model	Description	OEM Part No.
CA10200	2000-2002	All with OEM No.	Resistor (Four Speed without Tab)	BOA-87473, ABP N83 321350

FLP, FLT-SERIES

Table 13-68: Freightliner Application - FLP, FLT - Series

TRP® Part No.	Year	Model	Description	OEM Part No.
CA10200	1989-96	FLP, FLT	Resistor	RD5-6450-0, ABP N83 321070

W SERIES

Table 13-69: Freightliner Application - Resistors - W Series

TRP® Part No.	Year	Model	Description	OEM Part No.
CA10200	1988-96	WFT, WFC	Resistor	RD5-6450-0, ABP N83 321070

FL-SERIES (BUSINESS CLASS), FLL, FLB

Table 13-70: Freightliner Application - Resistors - FL-Series (Business Class), FLL, FLB

TRP® Part No.	Year	Model	Description	OEM Part No.
CA10200	1994-2001	FL50, FL60, FL70, FL80, FL106, FL112, FLL, FLB	Blower Resistor with 4 Terminals	BOA-80-926-00-079, ABP N83 321070

FLD-SERIES, CLASSIC XL

Table 13-71: Freightliner Application - Resistors - FLD-Series, Classic XL

TRP® Part No.	Year	Model	Description	OEM Part No.
CA10200	1991-2002	FLD120, FLD112, Classic XL	Blower Resistor	BOA-80-926-00-079, ABP N83 321070
CA10200	2007	Classic XL	Blower Resistor	BOA-80-926-00-079, ABP N83 321070

C-SERIES

Table 13-72: Freightliner Application - Resistors - C-Series

TRP® Part No.	Year	Model	Description	OEM Part No.
CA10200	1996-2000	C120, C112	Blower Resistor	BOA-80-926-00-079, ABP N83 321070

SLEEPER UNITS

Table 13-73: Freightliner Application - Resistors - Sleeper Units

TRP® Part No.	Year	Model	Description	OEM Part No.
CA10200	1999-2002	All	Sleeper Units (BEHR)	BOA-80-926-00-079, ABP N83 321070

SOLENOID VALVES

ALL

Table 13-74: Freightliner Application - Solenoid Valves - All

TRP® Part No.	Year	Model	Description	OEM Part No.
BA11450	All	All with OEM No.	Blower Switch (ROTARY STYLE)	INM2G754A, ABP N83 323018
BA13250	All	All with OEM No.	Blower Switch	A06-11454-001, ABP N83 322030
BA14950	All	All with OEM No.	Fan Switch	A22-30930-000, ABP N83 322315

FLB, FLL-SERIES

Table 13-75: Freightliner Application - Solenoid Valves - FLB, FLL-Series

TRP® Part No.	Year	Model	Description	OEM Part No.
BA14250	1994-1999	FLB, FLL	Blower Switch	A06-14889-001, ABP N83 322190
BA10650	1994-1999	FLB, FLL	AUX Fan Switch	INM 6G754A, ABP N83 322150

FL-SERIES (BUSINESS CLASS)

Table 13-76: Freightliner Application - Solenoid Valves - FL-Series (Business Class)

TRP® Part No.	Year	Model	Description	OEM Part No.
BA13900	1994-2001	FL50, FL60, FL70, FL80, FL106, FL112	Blower Switch	BOA-80-926-00-059, ABP N83 322135

FLB, FLL-SERIES

Table 13-77: Freightliner Application - Solenoid Valves - FLB, FLL-Series

TRP® Part No.	Year	Model	Description	OEM Part No.
BA10650	1991-1999	FLB, FLL	AUX Fan Switch	INM 6G754A, ABP N83 322150

TRP® Part No.	Year	Model	Description	OEM Part No.
BA13900	1993-2000	FLB, FLL	Blower Switch	BOA-80-926-00-059, ABP N83 322135

FLD-SERIES, CLASSIC XL

Table 13-78: Freightliner Application - Solenoid Valves - FLD-Series, Classic XL

TRP® Part No.	Year	Model	Description	OEM Part No.
BA14250	1991-99	FLD120, FLD112, Classic XL	Blower Switch	A06-14889-001, ABP N83 322190
BA10650	1991-1999	FLD120, FLD112, Classic XL	AUX Fan Switch	INM 6G754A, ABP N83 322150
BA13900	1991-2007	FLD120, FLD112, Classic XL	Blower Switch	BOA-80-926-00-059, ABP N83 322135

C-SERIES

Table 13-79: Freightliner Application - Solenoid Valves - C-Series

TRP® Part No.	Year	Model	Description	OEM Part No.
BA10650	1996-2002	C120, C112	AUX Fan Switch	INM 6G754A, ABP N83 322150
BA13900	1998-2001	C120, C112, COLUMBIA	Fan Switch - Sleeper Cab	INM 2G754A, ABP N83 322135

SWITCHES

ALL

Table 13-80: Freightliner Application - Switches - All

TRP® Part No.	Year	Model	Description	OEM Part No.
CD10000	1972-97	All	FREON Sleeper SOLENOID	RD4188-0, ABP N83 308069
BA12450	1978-2003	All	Air SOLENOID - Fan Clutch	RD5-0060-0, ABP N83 322390

THERMOSTATIC SWITCHES

W-SERIES

Table 13-81: Freightliner Application - Thermostatic Switches - W-Series

TRP® Part No.	Year	Model	Description	OEM Part No.
BD10350	1973-81	WFT	Main Unit (ROTARY)	71R2300, A22-15817-A

FLT, FLP-SERIES

Table 13-82: Freightliner Application - Thermostatic Switches - FLT, FLP-Series

TRP® Part No.	Year	Model	Description	OEM Part No.
BD10350	1976-80	FLT, FLP	Main Unit (ROTARY)	71R2300, A22-15817-A
BD11050	1981-88	FLT	Main Unit (Preset)	22-23640-000, ABP N83 323010
BD10800	1989-97	FLT, FLP	Main Unit (Preset)	BOA-80-946-00-109, ABP N83 323053

FLA-SERIES

Table 13-83: Freightliner Application - Thermostatic Switches - FLA-Series

TRP® Part No.	Year	Model	Description	OEM Part No.
BD10800	1990-94	FLA	Main Unit (Preset)	BOA-80-946-00-109, ABP N83 323053

FLB, FLL-SERIES

Table 13-84: Freightliner Application - Thermostatic Switches - FLB, FLL-Series

TRP® Part No.	Year	Model	Description	OEM Part No.
BD10800	1994-2002	FLB, FLL	Main Unit (Preset)	BOA-80-946-00-109, ABP N83 323053

FLC-SERIES

Table 13-85: Freightliner Application - Thermostatic Switches - FLC-Series

TRP® Part No.	Year	Model	Description	OEM Part No.
BD10350	1976-98	FLC	Main Unit (ROTARY)	71R2300, A22-15817-A
BD10800	1989-97	FLC	Main Unit (Preset)	BOA-80-946-00-109, ABP N83 323053

FL-SERIES (BUSINESS CLASS)

Table 13-86: Freightliner Application - Thermostatic Switches - FL-Series (Business Class)

TRP® Part No.	Year	Model	Description	OEM Part No.
BD10800	1994-2005	FL50, FL60, FL70, FL80, FL106, FL112	Main Unit (Preset)	BOA-80-946-00-109, ABP N83 323053

FLD-SERIES, CLASSIC XL

Table 13-87: Freightliner Application - Thermostatic Switches - FLD-Series, Classic XL

TRP® Part No.	Year	Model	Description	OEM Part No.
BD11050	1981-88	FLD 120	Main Unit (Preset)	22-23640-000, ABP N83 323010
BD10800	1989-2007	FLD120, FLD112, Classic XL	Main Unit (Preset)	BOA-80-946-00-109, ABP N83 323053

C-SERIES

Table 13-88: Freightliner Application - Thermostatic Switches - C-Series

TRP® Part No.	Year	Model	Description	OEM Part No.
BD10800	1996-2004	C120, C112, COLUMBIA	Main Unit (Preset)	BOA-80-946-00-109, ABP N83 323053

WATER VALVES

FLC, W-SERIES

Table 13-89: Freightliner Application - Water Valves - FLC, W-Series

TRP® Part No.	Year	Model	Description	OEM Part No.
MA14250	1998-2000	FLC	Cable Operated (KYSOR)	KYS 173144, 681 833 03 64, ABP N83 324305

FLB, FLL-SERIES

Table 13-90: Freightliner Application - Water Valves - FLB, FLL-Series

TRP® Part No.	Year	Model	Description	OEM Part No.
MA14450	1994-2002	FLB, FLL	Cable Operated (KYSOR)	KYS 173119, ABP N83 324190

COE & CONVENTIONAL

Table 13-91: Freightliner Application - Water Valves - COE & Conventional

TRP® Part No.	Year	Model	Description	OEM Part No.
MA14450	1975-85		Cable Operated (KYSOR)	KYS 173119, ABP N83 324190

FL-SERIES (BUSINESS CLASS)

Table 13-92: Freightliner Application - Water Valves - FL-Series (Business Class)

TRP® Part No.	Year	Model	Description	OEM Part No.
MA14250	1992-99	FL50, FL60, FL70, FL80, FL106, FL112	Cable Operated (KYSOR)	KYS 173144, 681 833 03 64, ABP N83 324305
MA14450	1994-2005	FL50, FL60, FL70, FL80, FL106, FL112	Cable Operated (KYSOR)	KYS 173119, ABP N83 324190

FLD-SERIES, CLASSIC XL

Table 13-93: Freightliner Application - Water Valves - FLD-Series, Classic XL

TRP® Part No.	Year	Model	Description	OEM Part No.
MA10200	1986-94	FLD120, FLD 112, Classic XL	Air Operated (RED DOT)	RD5-4800-0, RD5-8804-0, ABP N83 324400
MA14450	1991-2007	FLD120, FLD112, Classic XL	Cable Operated (KYSOR)	KYS 173119, ABP N83 324190

C-SERIES

Table 13-94: Freightliner Application - Water Valves - C-Series

TRP® Part No.	Year	Model	Description	OEM Part No.
MA14450	2000	COLUMBIA	Cable Operated (KYSOR)	KYS 173119, ABP N83 324190

SLEEPER UNITS

Table 13-95: Freightliner Application - Water Valves - Sleeper Units

TRP® Part No.	Year	Model	Description	OEM Part No.
MA10500	1998	FLB, FLD	Water Valve	RD5-4797-0
MA10200	1998-2003	FLD120, FLD 112, Classic XL, FLL	Air Operated (RED DOT)	RD5-4800-0, RD5-8804-0, ABP N83 324400
MA10450	2007	FLD	Water Valve	RD5-5300-1

INTERNATIONAL HIGH VOLUME PARTS LIST

QUICK REFERENCE SHEET/ INVENTORY ASSISTANCE

AIR FILTERS

Table 13-96: International High Volume Parts List - Air Filters

TRP® Part No.	OEM Part No.
GD11700	BOA-80-319-00-189, 2506656C1
GD11600	1699956C1

BLOWER MOTORS

Table 13-97: International High Volume Parts List - Blower Motors

TRP® Part No.	OEM Part No.	Note
HA17050	BOA-80-415-00-879, 3542611C2	
HA19900	2500485C1, 1699291C1	This motor kit can be used with multiple applications with harness # FF1130.
HA18350	1699949C1	

CLUTCHES

Table 13-98: International High Volume Parts List - Clutches

TRP® Part No.	OEM Part No.
KA14600	1653480C92
KA14800	1687780C92
KA14850	1818128C1
KA14900	2016403C2

COMPRESSORS

Table 13-99: International High Volume Parts List - Compressors

TRP® Part No.	OEM Part No.
LE4815	3547916C1

CONDENSERS

Table 13-100: International High Volume Parts List - Condensers

TRP® Part No.	OEM Part No.
PA12800	2505650C92, 2586812C91
PA12850	2507482C91

EXPANSION VALVES

Table 13-101: International High Volume Parts List - Expansion Valves

TRP® Part No.	OEM Part No.
EC10800	BOA-80-305-00-949, 3548044C1
EA13100	1699955C2

RECIEVER DRIERS

Table 13-102: International High Volume Parts List - Reciever Driers

TRP® Part No.	OEM Part No.
JA19600	1693117C1
JC21900	BOA-80-323-00-139

SWITCHES

Table 13-103: International High Volume Parts List - Switches

TRP® Part No.	OEM Part No.
BA13900	1661420C1
CA10750	BOA-80-612-02-109, 3562102C1

THERMOSTATS

Table 13-104: International High Volume Parts List - Thermostats

TRP® Part No.	OEM Part No.
BD14900	1699953C1

WATER VALVES

Table 13-105: International High Volume Parts List - Water Valves

TRP® Part No.	OEM Part No.
MA13500	498574C2
MA13550	474072C4

INTERNATIONAL APPLICATION

AIR FILTERS

4000, 7000, 8000-SERIES

Table 13-106: International Application - Air Filters - 4000, 7000, 8000-Series

TRP® Part No.	Year	Model	OEM Part No.
GD10200	All	4000, 7000, 8000-Series	498144C1
GD11700	2001-03/01/2007	4200, 4300, 4400, 7400, 7500, 7600, 8500, 8600 Series (NGV)	BOA-80-319-00-189, 2506656C1

5000, 9000-SERIES

Table 13-107: International Application - Air Filters - 5000, 9000-Series

TRP® Part No.	Year	Model	OEM Part No.
GD10200	1991-1997	5000, 9000 Series	498144C1
GD11600	1997-2007	5000, 9000 Series	1699956C1

BLOWER MOTORS

TRANSTAR-SERIES

Table 13-108: International Application - Blower Motors - Transtar-Series

TRP® Part No.	Year	Model	Description	OEM Part No.
HA11550	1978-82	TRANSTAR 4070 A&B with BLEND Air Unit	(Side)(After 10/31/77)(CCW)	488831C1
HA11550	1978-85	TRANSTAR 11, 4200 & 4300, 4070B, PAYSTAR53	Heater & A/C (Side)(CCW)	488831C1

2000, 4000, 7000, 8000-SERIES

Table 13-109: International Application - Blower Motors - 2000, 4000, 7000, 8000-Series

TRP® Part No.	Year	Model	Description	OEM Part No.
HA10600	1989-93	8300 Series	Sleeper Motor	1669342C1
HA19900	1992-2001	2000, 4000, 8000 Series	Main Unit (Motor KIT) (QSP)	1699291C1, 2500485C1
HA17050	2001-03/01/2007	4200, 4300, 4400, 7400, 7500, 7600, 8500, 8600 Series (NGV)	Main Unit Motor Assembly (NGV)	BOA-80-415-00-879, 3542611C2

5000, 9000-SERIES

Table 13-110: International Application - Blower Motors - 5000, 9000-Series

TRP® Part No.	Year	Model	Description	OEM Part No.
HA11550	1982-91	5000 Series	Heater Motor with I.H. Heater Model # 488891C97 Side	488843C91

BLOWER WHEELS

TRANSTAR-SERIES

Table 13-111: International Application - Blower Wheels - Transtar-Series

TRP® Part No.	Year	Model	Description	OEM Part No.
HA19900	1992-96	5000, 9200, 9300, 9400, 9600, 9700, 9800	Main Unit (Motor KIT) (Premium)	1699291C1, 2500485C1
HA18350	1997-98	9200, 9300, 9400, 9600, 9700, 9800	Main Unit & Bunk Booster Blower (4" Lower)	1699949C1
HA19900	1997-99	5000, 9100, 9200, 9300, 9400 (Day Cabs)	Main Unit without Sleeper (Motor KIT) (Premium)	1699291C1, 2500485C1
HA18350	1999	9200, 9300, 9400, 9800, 9900	Main Unit & Bunk Booster Blower (4" Lower)	1699949C1

TRP® Part No.	Year	Model	Description	OEM Part No.
HA18350	2000-2007	5000, 9000i, 9200, 9400, 9900i	Main Unit & Bunk Booster Blower (HD2)	1699949C1
HC11200	All	4070 A & B	Main Unit	421849C1

2000, 4000, 8000-SERIES

Table 13-112: International Application - Blower Wheels - 2000, 4000, 8000-Series

TRP® Part No.	Year	Model	Description	OEM Part No.
HC13850	1988-2001	2000, 4000, 8000, S-Series	Main Unit (QSP)	1693199C1, 465502C1

5000, 9000 SERIES

Table 13-113: International Application - Blower Wheels - 5000, 9000 Series

TRP® Part No.	Year	Model	Description	OEM Part No.
HC13850	1991-96	5000, 9200, 9300, 9400, 9600, 9700, 9800	Main Unit (Premium)	1693199C1, 465502C1
HC14050	1997-98	9200, 9300, 9400, 9600, 9700, 9800	Main Unit & Bunk Booster Blower (4" Lower)	1699947C1
HC13850	1997-99	5000, 9000, 9200, 9300, 9400 (Day Cabs)	Main Unit without Sleeper (Premium)	1693199C1, 465502C1
HC14050	1999	9200, 9300, 9400, 9800, 9900	Main Unit & Bunk Booster Blower (4" Lower)	1699947C1
HC14050	2000-2007	5000, 9000i, 9200, 9400, 9900i	Main Unit & Bunk Booster Blower (HD2)	1699947C1

CLUTCH SWITCHES

9000-SERIES

Table 13-114: International Application - Clutch Switches - 9000-Series

TRP® Part No.	Year	Model	Description	OEM Part No.
BA13500	1985-93	9300, 9400 Series	A/C On-Off Switch	1661427C92

7000, 8000-SERIES

Table 13-115: International Application - Clutch Switches - 7000, 8000-Series

TRP® Part No.	Year	Model	Description	OEM Part No.
BA13500	1989-93	7000, 7100, 8000 Series	A/C On-Off Switch	1661427C92

COMPRESSORS

TCCI

Table 13-116: International Application - Compressors - TCCI

TRP® Part No.	Description	OEM Part No.
KA10350	TCCI 2 GR. 6-3/4" Pulley with IHC CON.	1669746C91
KA13950	TCCI 2 GR. 6" Pulley without Diode	165129C91
KA10400	TCCI 2 GR. 7" Diameter Pulley	481806C91
KA10400	TCCI 2 GR. 6" Pulley with IHC CON.	1647566C91
KA14800	TCCI 6 GR. 5-7/8" Diameter Pulley	1687780C92
KA14850	TCCI 8 GR. 5-3/8" Diameter Pulley	1818128C2
KA14900	TCCI 1 GR. 6" with 2-11/16" A-B with 5/8" Belt	2016403C2

CONDENSERS

1000-SERIES

Table 13-117: International Application - Condensers - 1000 Series

TRP® Part No.	Year	Model	Descriptions	OEM Part No.
PB12150	01/1993-1999	1652 SC with 7.3 Series R-134A		2000655C2

2000-SERIES

Table 13-118: International Application - Condensers - 2000 Series

TRP® Part No.	Year	Model	Descriptions	OEM Part No.
PB12250	01/1993-1999	2552, 2554-6X4, 2654-6X4 R-134A		1652584C92
PB12000	01/1993-1999	2574, 2674 (INCLUDING 6X4) R-134A		1675462C2
PB12200	1995-99	2000 Series		2004801C3

4000 SERIES

Table 13-119: International Application - Condensers - 4000 Series

TRP® Part No.	Year	Model	Descriptions	OEM Part No.
PB12150	01/93-99	4600, 4600 LP with 7.3 Series R-134A		2000655C2
PB12150	01/93-99	4600 UH, R-134A		2000655C2
PA12800	2001-02/29/2004	4200, 4300, 4400 NGV Series	NGV	2505650C92
PA12800	03/01/2004-03/01/2007	4200, 4300, 4400 NGV Series	NGV	2586812C91
PA12900	12/1992-1999	9370 (R-134A)		586908C92
PA12950		9370 (SMALL Radiator)	O-Ring	557335C91
PA13000		9370-9670 (with 3406A)	O-Ring	1649161C93
PB12000	12/1992-1999	9400 (R-134A)		1675462C2

7000 SERIES

Table 13-120: International Application - Condensers - 7000 Series

TRP® Part No.	Year	Model	Descriptions	OEM Part No.
PA12850	2001-03/01/2007	7300, 7400, 7500, 7600 Series	NGV	2507482C91

8000 SERIES

Table 13-121: International Application - Condensers - 8000 Series

TRP® Part No.	Year	Model	Descriptions	OEM Part No.
PB12000	01/1993-1999	8200, 8300 R-134A		1675462C2

9000 SERIES

Table 13-122: International Application - Condensers - 9000 Series

TRP® Part No.	Year	Model	Descriptions	OEM Part No.
PB12200	1995-1999	8000 Series		2004801C3
PB12000		8000 Series with Cummins N Series	O-Ring	1675462C2
PA12800	2001-02/29/2004	8500 R-134A		2505650C92
PA12800	03/01/2004-03/01/2007	8500 R-134A		2586812C91
PB12200	1995-1999	9200 Series		2004801C3
PA12900		9370 (Large Radiator)	O-Ring	586908C92
PA12900	12/1992-1999	9370 (R-134A)		586908C92
PA12950		9370 (SMAll Radiator)	O-Ring	557335C91
PA13000		9370-9670 (with 3406A)	O-Ring	1649161C93
PB12000	12/1992-1999	9400 (R-134A)		1675462C2

EVAPORATED CORES

2000, 4000, 8000 SERIES

Table 13-123: International Application - Evaporated Cores - 2000, 4000, 8000 Series

TRP® Part No.	Year	Model	Description	OEM Part No.
NA12750	1991-92	4600, 4900, 8000, 8100, 8200, 8300	Main Unit	474024C3
NA12700	1993-94	4600, 4900, 8000, 8100, 8200, 8300	Main Unit	1694713C1
NA12650	1995-2001	2000, 4000, 8000 Series	Main Unit	1696844C1

5000, 9000-SERIES

Table 13-124: International Application - Evaporated Cores - 5000, 9000-Series

TRP® Part No.	Year	Model	Description	OEM Part No.
NA12800	1991-92	5000, 7100, 9200, 9300, 9400, 9600, 9700	Main Unit	498590C1
NA12850	1993-96	5000, 7100, 9200, 9300, 9400, 9600, 9700, 9800	Main Unit	1691468C1
NA12900	1997-98	9200, 9300, 94100, 9600, 9700, 9800	Main Unit	1699950C1

EXPANSION VALVES

TRANSTAR-SERIES

Table 13-125: International Application - Expansion Valves - Transtar Series

TRP® Part No.	Year	Model	Description	OEM Part No.
NA12850	1997-99	5000, 9100, 9200, 9300, 9400 (Day Cabs)	Main Unit without Sleeper	1691468C1
NA12900	1999	9200, 9300, 9400, 9800, 9900	Main Unit	1699950C1

TRP® Part No.	Year	Model	Description	OEM Part No.
NA12900	2000-2007	5000, 9000i, 9200, 9400, 9900i	Main Unit (HD2)	1699950C1
EA10150	1974-82	TRANSTAR 4070A, 4070B, PAYSTAR	Main Unit	454608C1
EA10050	1974-84	TRANSTAR 11 4200/4300	Main Unit	426147C1

PAYSTAR-SERIES

Table 13-126: International Application - Expansion Valves - Paystar-Series

TRP® Part No.	Year	Model	Description	OEM Part No.
EA10150	1977-92	PAYSTAR F5000	Main Unit	454608C1

FLEETSTAR-SERIES

Table 13-127: International Application - Expansion Valves - Fleetstar-Series

TRP® Part No.	Year	Model	Description	OEM Part No.
EA10150	1974-81	Fleetstar 2010-2050	Main Unit	454608C1

S-SERIES

Table 13-128: International Application - Expansion Valves - S-Series

TRP® Part No.	Year	Model	Description	OEM Part No.
EA10650	1984-93	S-Series	with RED DOT A/C	RD5-6868-0
EA10650	1984-93	S-Series	with KYSOR A/C	404098
EA10150	1977-88	S-Series (Factory)	Main Unit	469475C1
EA10200	1977-88	S-Series (MOTIVAir)	Main Unit	ZGG11845

2000, 4000, 8000-SERIES

Table 13-129: International Application - Expansion Valves - 2000, 4000, 8000-Series

TRP® Part No.	Year	Model	Description	OEM Part No.
EA10150	1991-92	4600, 4900, 8000, 8100, 8200, 8300	Main Unit	469475C1
EA13000	1993-94	4600, 4900, 8000, 8100, 8200, 8300	Main Unit	1691469C2
EA13050	1995-1998	2000, 4000, 8000 Series	Main Unit (Nick Type Expansion Valve)	1696846C2
EA13200	1999-2001	2000, 4000, 8000 Series	Main Unit (No Nick Type Expansion Valve)	1696846C3
EC10800	2001-03/01/2007	4200, 4300, 4400, 7400, 7500, 7600, 8500, 8600 Series (NGV)	Main Unit - ORIFICE Tube (NGV)	BOA-80-305-00-949, 3548044C1

5000, 9000-SERIES

Table 13-130: International Application - Expansion Valves - 5000, 9000-Series

TRP® Part No.	Year	Model	Description	OEM Part No.
EA10150	1982-90	9300, 9400, 9600, 9700 Series	Main Unit	469475C1
EA10150	1991-92	5000, 7100, 9200, 9300, 9400, 9600, 9700	Main Unit	469475C1
EA10050	1973-93	5000 Series	Flare Type	426147C1
EA13000	1993-96	5000, 7100, 9200, 9300, 9400, 9600, 9700, 9800	Main Unit	1691469C2
EA13100	1997-98	9200, 9300, 9400, 9600, 9700, 9800	Main Unit	1699955C1

HEATER CORES

S-SERIES

Table 13-131: International Application - Heater Cores - S-Series

TRP® Part No.	Year	Model	Description	OEM Part No.
EA13000	1997-99	5000, 9100, 9200, 9300, 9400 (Day Cabs)	Main Unit without Sleeper	1691469C2
EA13100	1999	9200, 9300, 9400, 9800, 9900	Main Unit	1699955C1
EA13100	2000-2007	5000, 9000i, 9200, 9400, 9900i	Main Unit (HD2) (No Nick Type Expansion Valve)	1699955C2
MC13450	1977-82	S-Series	Main Unit (Heater Only)	474030C2
MC13600	1982-2000	S-Series	Main Unit (Heater Only)	581702C1

2000, 4000, 8000 SERIES

Table 13-132: International Application - Heater Cores - 2000, 4000, 8000 Series

TRP® Part No.	Year	Model	Description	OEM Part No.
MC13600	1982-2000	4000-7000, 8000 Series	Main Unit (Heater Only)	581702C1
MC13450	1991-94	4600, 4900, 8000, 8100, 8200, 8300	Main Unit	474030C2
MC13400	1995-2001	2000, 4000, 8000 Series	Main Unit	1696843C1
MC16800	2001-03/01/2007	"4200, 4300, 4400, 7400, 7500, 7600, 8500, 8600 Series (NGV)"	Main Unit (NGV)	BOA-85-471-77-009, 3542604C2

5000, 9000 SERIES

Table 13-133: International Application - Heater Cores - 5000, 9000 Series

TRP® Part No.	Year	Model	Description	OEM Part No.
MC13500	1982-90	5000, 9300, 9400, 9600, 9700 Series	Main Unit Excludes: 5000-PATSTAR Series	501099C91
MC13500	1991-92	5000, 9200, 9300, 9400, 9500, 9600, 9700	Main Unit	501099C91
MC13450	1993-94	5000, 9200, 9300, 9400, 9500, 9600, 9700	Main Unit	474030C2
MC13500	1995-97	5000, 9200, 9300, 9400, 9500, 9600, 9700, 9800	Main Unit	501099C91
MC13500	1997-98	5000, 9100, 9200, 9300, 9400 (Day Cabs)	Main Unit without Sleeper	501099C91
MC13550	1997-98	9200, 9300, 9400, 9600, 9700, 9800	Main Unit	1699951C1
MC13500	1999	5000, 9100, 9200, 9300, 9400 (Day Cabs)	Main Unit without Sleeper	501099C91
MC13550	1999	9200, 9300, 9400, 9800, 9900	Main Unit	1699951C1
MC13550	2000-2006	5000, 9000i, 9200, 9400, 9900i	Main Unit (HD2)	1699951C1

PRESSURE SWITCHES

TRANSFER & PAYSTAR SERIES

Table 13-134: International Application - Pressure Switches - Transfer & Paystar Series

TRP® Part No.	Year	Model	Description	OEM Part No.
BB11200	1974-81	TRANSTAR 4070 A & B	Low Pressure Switch	442183C1
BB11200	1974-91	TRANSTAR 4070A & B, 4200/4300 Fleetstar 2	Low Pressure Switch	442183C1

TRP® Part No.	Year	Model	Description	OEM Part No.
BB14100	1974-91	TRANSTAR 4070A & B, 4200/4300 Fleetstar 2	Low Pressure Switch (Normally Closed)	1651985C1

S-SERIES

Table 13-135: International Application - Pressure Switches - S-Series

TRP® Part No.	Year	Model	Description	OEM Part No.
BB10250	1974-91	TRANSTAR 4070A & B, 4200/4300 Fleetstar 2	High Pressure Switch (Normally Closed)	544975C1
BB10250	1977-82	TRANSTAR 4070B with KYSOR KA 800/SD510 COMP	High Pressure Switch	544975C1
BB11050	1977-82	TRANSTAR 4070B with KYSOR KA 800/SD510 COMP	Low Pressure Switch	544976C1
BB11200	1977-84	TRANSTAR 4200 & 4300	Low Pressure Switch	442183C1
BB11200	1977-86	PAYSTAR F5000	Low Pressure Switch	442183C1
BB14100	1977-93	S-Series, 8000 Series	High Pressure Switch (Normally Closed)	1651985C1
BB11050	1977-93	S-Series, 8000 Series	Low Pressure Switch (Normally Open)	544976C1
BB10250	1984-93	S-Series with KYSOR	High Pressure Switch	544975C1
BB11050	1984-93	S-Series with KYSOR KOMBO	Low Pressure Switch	544976C1

C400-900 WITH KYSOR A/C

Table 13-136: International Application - Pressure Switches - C400-900 with KYSOR A/C

TRP® Part No.	Year	Model	Description	OEM Part No.
BB10250	1986-93	C400-900 with KYSOR AC	High Pressure Switch	544975C1
BB11050	1986-93	C400-900 with KYSOR AC	Low Pressure Switch	544976C1

2000, 4000, 7000, 8000- SERIES

Table 13-137: International Application - Pressure Switches - 2000, 4000, 7000, 8000- Series

TRP® Part No.	Year	Model	Description	OEM Part No.
BB14100	1989-93	7000, 7100, 8000 Series	High Pressure Switch (Normally Closed)	1651985C1
BB10250	1989-93	8300 Series	with 88NT Engine High Pressure Switch	544975C1
BB14300	1989-94	7000, 7100, 8000 Series	High Pressure Switch (Normally Closed)	1651984C1
BB14300	1994-97	All with Med. & Non-Electronic Large Bore Diesel	High Pressure Switch	1651984C1
BB13900	1991-2001	4000, 8000 Series	High Pressure Switch	1676787C1
BA16350	1994-2000	2000, 4000, 8000 Series	Low Pressure Switch (with AP Pads)	1699310C1
BA16400	1994-2000	2000, 4000, 8000 Series	High Pressure Switch (with AP Pads)	3523175C1
BA16450	2001-03/01/2007	4200, 4300, 4400, 7400, 7500, 7600, 8500, 8600 Series (NGV)	TRANSDUCER, A/C Pressure (with ORIFICE Tube System)	3546241C1

5000, 9000 SERIES

Table 13-138: International Application - Pressure Switches - 5000, 9000 Series

TRP® Part No.	Year	Model	Description	OEM Part No.
BB14050	1982-93	9600, 9700 Series	High Pressure Switch (9600 Only) with A6, without VISC, Fan OE Type	480869C1
BB14050	1982-93	9600, 9700 Series	High Pressure Switch (All with TCCI)	480869C1

RECEIVER DRIERS/ ACCUMULATORS

TRANSTAR-SERIES

Table 13-139: International Application - Receiver Driers/ Accumulators - Transtar-Series

TRP® Part No.	Year	Model	Description	OEM Part No.
BB14050	1983-93	5000 Series	High Pressure Switch (with Air Controlled Engine Fan)	480869C1
BB14250	1983-93	5000 Series	High Pressure Switch (with Shutters)	581686C1
BB11050	1983-93	5000 Series	Low Pressure Switch (Excludes: Below)	544976C1
BB14250	1985-93	9300, 9400 Series	High Pressure Switch (with Shutters & TECUMSEH Compressor)	581686C1
BB14300	1994-97	All with Med. & Non-Electronic Large Bore Diesel	High Pressure Switch	1651984C1
BB13900	1991-2007	9000 Series	High Pressure Switch	1676787C1
BA16350	1994-2000	9000 Series	Low Pressure Switch (with AP Pads)	1699310C1
BA16400	1994-2000	9000 Series	High Pressure Switch (with AP Pads)	3523175C1
BA16550	1994-2007	9000 Series	High Pressure Switch (with AP Pads)	2501256C1
BA16600	1994-2007	9000 Series	Low Pressure Switch (with AP Pads)	2501257C1
JA13250	1973-84	TRANSTAR 4070A, 4070B, TRANSTAR II, 4200	with Female O-Ring Type	454613C1
JA10850	1973-84	TRANSTAR 4070B	with KYSOR KA800 Unit	1676663C1

PAYSTAR-SERIES

Table 13-140: International Application - Receiver Driers/ Accumulators - Paystar-Series

TRP® Part No.	Year	Model	Description	OEM Part No.
JA13250	1974-92	PAYSTAR F5000+B51		454613C1, 454614C1
JA10700	1982-84	PAYSTAR, 6300 Series Conventional	with EVANS Combo A/C	1676651C1

S-SERIES

Table 13-141: International Application - Receiver Driers/ Accumulators - S-Series

TRP® Part No.	Year	Model	Description	OEM Part No.
JA13250	1977-91	S-Series	All (Excludes: 1989-92 ABOVE)	454613C1
JA11650	1984-92	S-Series	with KYSOR KOMBO A/C	399425C91

FLEETSTAR-SERIES

Table 13-142: International Application - Receiver Driers/ Accumulators - Fleetstar-Series

TRP® Part No.	Year	Model	Description	OEM Part No.
JA11650	1980-82	FLEETSTAR 2010 & 2050 - OR		399425C91, 1691710C91

2000, 4000, 7000, 8000, 9000-SERIES

Table 13-143: International Application - Receiver Driers/ Accumulators - 2000, 4000, 7000, 8000, 9000-Series

TRP® Part No.	Year	Model	Description	OEM Part No.
JA13250	1977-91	4000, 7100, 81000, 8300, 9300, 9400	All (Excludes: 1989-92 ABOVE)	454613C1
JA19600	1993-2001	2000, 4000, 8000, 9000 Series	with Female O-Ring Type	1693117C1

TRP® Part No.	Year	Model	Description	OEM Part No.
JC21900	2001-03/2007	4200, 4300, 4400, 7300, 7400, 7500, 7600, 8500, 8600 NGV Series	ACCUMULATOR	BOA 803230013900
JA19600	2001-2007	9000i Series	with Female O-Ring Type	1693117C1

RELAYS

2000, 4000, 7000, 8000, 9000-SERIES

Table 13-144: International Application - Relays - 2000, 4000, 7000, 8000, 9000-Series

TRP® Part No.	Year	Model	Description	OEM Part No.
CB10900	1982-94	5000, 8000, 9300, 9400, 9600, 9700 Series	Excludes: 5000 Series Below	447186C1

RESISTORS

TRANSTAR-SERIES

Table 13-145: International Application - Resistors - Transtar-Series

TRP® Part No.	Year	Model	Description	OEM Part No.
CA10950	1974-91	TRANSTAR 4070A & B, 4200/4300 Fleetstar 2	Blower Resistor	506552C1

S-SERIES

Table 13-146: International Application - Resistors - S-Series

TRP® Part No.	Year	Model	Description	OEM Part No.
CA10950	1977-93	S-Series, 8000 Series	Blower Resistor	506552C1

2000, 4000, 8000-SERIES

Table 13-147: International Application - Resistors - 2000, 4000, 8000-Series

TRP® Part No.	Year	Model	Description	OEM Part No.
CA10950	1977-90	8000 Series	Blower Resistor	506552C1
CA10350	1991-2001	2000, 4000, 8000 Series	Blower Resistor	1696836C1
CA10750	2001-03/01/2007	4200, 4300, 4400, 7300, 7400, 7500, 7600, 8500, 8600 NGV Series	Resistor (LINEAR POWER MODULE)	BOA-80-612-02-109, 3562102C1

5000, 9000 SERIES

Table 13-148: International Application - Resistors - 5000, 9000 Series

TRP® Part No.	Year	Model	Description	OEM Part No.
CA10950	1983-90	5000 Series	Blower Resistor	506552C1
CA10950	1985-90	9300, 9400, 9600, 9700 Series	Blower Resistor	506552C1

SWITCHES

TRANSTAR-SERIES

Table 13-149: International Application - Switches - Transtar Series

TRP® Part No.	Year	Model	Description	OEM Part No.
CA10950	1991-96	5000, 7400, 9200, 9300, 9400, 9600, 9700, 9800	Blower Resistor	506552C1
CA11050	1997-98	9200, 9300, 9400, 9600, 9700, 9800	Resistor 12V 3 Speed	2500918C1
CA10950	1997-99	9100, 9200, 9300, 9400, (Day Cabs)	Blower Resistor	506552C1
CA11050	1999	9200, 9300, 9400, 9800, 9900	Main Unit	2500918C1
BA14150	1974-91	TRANSTAR 4070A & B, 4200/4300 Fleetstar 2	Blower Switch	434297C1

S-SERIES

Table 13-150: International Application - Switches - S-Series

TRP® Part No.	Year	Model	Description	OEM Part No.
BA13900	1977-93	S-Series	Heater Switch	1661420C1
BA14100	1977-93	S-Series	Blower Switch	472253C1

4000-8000-SERIES

Table 13-151: International Application - Switches - 4000-8000-Series

TRP® Part No.	Year	Model	Description	OEM Part No.
BA14100	1977-93	8000 Series	Blower Switch	472253C1
BE10000	1989-93	8300 Series	Sleeper A/C Heater Switch	221030
BA13900	1977-2001	4000-8000 Series	Heater Switch	1661420C1

5000, 9000 SERIES

Table 13-152: International Application - Switches - 5000, 9000 Series

TRP® Part No.	Year	Model	Description	OEM Part No.
BA14550	1982-99	9300, 9400, 9600, 9700 Series	Blower Switch Fan	501087C3
BA13900	2000-2007	5000i, 9100i, 9200i, 9400i, 9900i	Main Unit (HD2)	1661420C1

THERMOSTATIC SWITCHES

TRANSTAR-SERIES

Table 13-153: International Application - Thermostatic Switches - Transtar-Series

TRP® Part No.	Year	Model	Description	OEM Part No.
BD10350	1972-81	TRANSTAR 4070A Fleetstar	VARIABLE Type	301395C91
BD10550	1974-84	TRANSTAR II 4070 B, 9670 & 4200, 4300	Cable Type	581691C1

S-SERIES

Table 13-154: International Application - Thermostatic Switches - S-Series

TRP® Part No.	Year	Model	Description	OEM Part No.
BD10550	1977-88	S-Series	Cable Type	581691C1
BD11050	1984-98	S-Series	Preset Type	1691722C91

FLEETSTAR-SERIES

Table 13-155: International Application - Thermostatic Switches - Fleetstar-Series

TRP® Part No.	Year	Model	Description	OEM Part No.
BD10150	1974-81	FLEETSTAR 2010 & 2050	VARIABLE Type	446994C1

5000, 9000-SERIES

Table 13-156: International Application - Thermostatic Switches - 5000, 9000-Series

TRP® Part No.	Year	Model	Description	OEM Part No.
BD10550	1981-94	5000, 7100, 9000 Series	Cable Type	581691C1
n/a	1995-96	5000, 7400, 9200, 9300, 9400, 9600, 9700, 9800	Preset Type	1664248C1
BD14900	1997-98	9200, 9300, 9400, 9600, 9700, 9800	Preset Type	1699953C1
BD10550	1997-99	5000, 9100, 9200, 9300, 9400 (Day Cabs)	Cable Type	581691C1
BD14900	1999	9200, 9300, 9400, 9800, 9900	Main Unit	1699953C1
BD14900	2000-2007	5000, 9000i, 9200, 9400, 9900i	Main Unit (HD2)	1699953C1

WATER VALVES

S-SERIES

Table 13-157: International Application - Water Valves - S-Series

TRP® Part No.	Year	Model	Description	OEM Part No.
MA13550	1977-90	S-Series, 4000-7000, 8000 Series	Cable Operated	474072C4

4000, 7000, 8000-SERIES

Table 13-158: International Application - Water Valves - 4000, 7000, 8000-Series

TRP® Part No.	Year	Model	Description	OEM Part No.
MA13550	1977-90	4000-7000, 8000 Series	Cable Operated	474072C4
MA13550	1991-92	4600, 4900, 8000, 8100, 8200, 8300	Cable Operated (BERGSTROM)	474072C4
MA13500	1993-94	4600, 4900, 8000, 8100, 8200, 8300	Heater Valve (BERGSTROM)	498574C2

5000-9000 SERIES

Table 13-159: International Application - Water Valves - 5000-9000 Series

TRP® Part No.	Year	Model	Description	OEM Part No.
MA13500	1982-90	5000, 9300, 9400, 9600, 9700	Heater Valve	498574C2
MA14850	1982-90	9300, 9400, 9600, 9700 Series	Water Shutoff (5/8" x 1/2" NPT)	369512C92
MA14650	1982-90	9300, 9400, 9600, 9700 Series	Water Shutoff (3/4" x 1/2" NPT)	367972C92
MA13500	1991-96	5000, 7100, 9000 Series	Heater Valve (BERGSTROM)	498574C2
MA13500	1997-99	5000, 9100, 9200, 9300, 9400 (Day Cabs)	Cable Operated (BERGSTROM)	498574C2

KENWORTH HIGH VOLUME PARTS LIST

QUICK REFERENCE SHEET/ INVENTORY ASSISTANCE

BLOWER MOTORS

Table 13-160: Kenworth High Volume Parts List - Blower Motors

TRP® Part No.	OEM Part No.
HB10500	205780
HB16100	203080
HA23750	203363
HB15700	203085
HB17500	203364
HA13500	203235
HA14500	203236
HA15250	203142
HA12600	203139
HA15300	203115

BLOWER WHEELS

Table 13-161: Kenworth High Volume Parts List - Blower Wheels

TRP® Part No.	OEM Part No.
HC10050	563500
HC10500	589540
HC12800	529800

CLUTCHES

Table 13-162: Kenworth High Volume Parts List - Clutches

TRP® Part No.	OEM Part No.
KA10950	14261 / K332-62-2

TRP® Part No.	OEM Part No.
KA10400	14262 / K332-62-1
KA14050	024-25247

COMPRESSORS

Table 13-163: Kenworth High Volume Parts List - Compressors

TRP® Part No.	OEM Part No.
RD5-8637-0	ER210L-25149

EXPANSION VALVES

Table 13-164: Kenworth High Volume Parts List - Expansion Valves

TRP® Part No.	OEM Part No.
EA10900	589500
EA10650	540031

RECEIVER DRIERS

Table 13-165: Kenworth High Volume Parts List - Receiver Driers

TRP® Part No.	OEM Part No.
GD11350	K251-571 / PH 088324-00
JA11350	K251-521 / PH 088133-00
JA13000	K251-459 / PH 088056-00
JA22250	F37-6000C
JA20350	PH 088341-00

SWITCHES

Table 13-166: Kenworth High Volume Parts List - Switches

TRP® Part No.	OEM Part No.
BA10050	652090
CA11050	650477
CA10350	650179
BA13900	650657

THERMOSTATS

Table 13-167: Kenworth High Volume Parts List - Thermostats

TRP® Part No.	OEM Part No.
BD13550	650163
BD11050	650476
BD13400	589490

WATER VALVES

Table 13-168: Kenworth High Volume Parts List - Water Valves

TRP® Part No.	OEM Part No.
MA10400	866860
MA10000	865850
MA11100	867405
MA16900	870081

KENWORTH APPLICATION

BLOWER MOTORS

13-210 MID-RANGER

Table 13-169: Kenworth Application - Blower Motors - 13-210 Mid-Ranger

TRP® Part No.	Year	Model	Description	OEM Part No.
HA17100	1987-92	MIDRANGER	Main Unit (RED DOT)	RD5-5614-0

C500-SERIES

Table 13-170: Kenworth Application - Blower Motors - C500-Series

TRP® Part No.	Year	Model	Description	OEM Part No.
HA15950	1976-79	C500 BRUTE	Main Unit	RD3106-12

K100-SERIES

Table 13-171: Kenworth Application - Blower Motors - K100-Series

TRP® Part No.	Year	Model	Description	OEM Part No.
HB15700	1980-85	K100 Models	Main Unit	203085
HB15700	1986-2007	K100E	Main Unit (BERGSTROM)	203085

C500, W900, T-SERIES

Table 13-172: Kenworth Application - Blower Motors - C500, W900, T-Series

TRP® Part No.	Year	Model	Description	OEM Part No.
HB13950	1980-85	C500, T400, T600, T800, W900	Double Shaft (24V)	275252
HB10500	1980-85	C500, T400, T600, T800, W900	Double Shaft (12V)	PF2646Q
HB16500	1986-94	C500, T400, T600, T800, W900	Main Unit (24V)	205790

TRP® Part No.	Year	Model	Description	OEM Part No.
HB10500	1986-94	C500, T400, T600, T800, W900	Main Unit (12V) Motor Only	205780
HB10400	1986-94	C500, T400, T600, T800, W900	Main Unit (12V) Motor KIT	205780S
HB16100	1995-2007	C500, T300, T400, T600, T800, W900	Main Unit (BERGSTROM)	203080

T2000 SERIES

Table 13-173: Kenworth Application - Blower Motors - T2000 Series

TRP® Part No.	Year	Model	Description	OEM Part No.
HB17500	1996-2007	T2000	Main Unit (BERGSTROM) (Aftermarket)	203364

SLEEPER UNITS

Table 13-174: Kenworth Application - Blower Motors - Sleeper Units

TRP® Part No.	Year	Model	Description	OEM Part No.
HA15200	1987-94	All - EXCEPT T2000	Sleeper Unit	205620
HA16050	1995-2007	All - EXCEPT T2000	Sleeper Unit (Modular Sleeper)	203076
HA23750	1996-2007	T2000	Sleeper Unit (BERGSTROM) (Aftermarket)	203363

BLOWER WHEELS

13-210 MID-RANGER

Table 13-175: Kenworth Application - Blower Wheels - 13-210- Mid-Ranger

TRP® Part No.	Year	Model	Description	OEM Part No.
HC13500	1987-93	13-210 Mid-Ranger	with RED DOT A/C	73R7000
HC13500	1988-93	13-210 Mid-Ranger	with KYSOR A/C	260680

K100-SERIES

Table 13-176: Kenworth Application - Blower Wheels - K100 Series

TRP® Part No.	Year	Model	Description	OEM Part No.
HC10050	1996-2006	K100E	Main Unit	563500
HC13000	1980-85	K100E	Main Unit	73R7150

C500, W900, T-SERIES

Table 13-177: Kenworth Application - Blower Wheels - C500, W900, T-Series

TRP® Part No.	Year	Model	Description	OEM Part No.
HC10500	1980-85	T400, T600, T800, W900	Main Unit (KYSOR)	360480
HC10500	1986-94	C500, T400, T600, T800, W900	Main Unit	598540
HC10500	1995-2007	C500, T300, T400, T600, T800, W900	Main Unit	589540

SLEEPER UNITS

Table 13-178: Kenworth Application - Blower Wheels - Sleeper Units

TRP® Part No.	Year	Model	Description	OEM Part No.
HC10050	1996-2007	T2000	Sleeper Units (BERGSTROM)	563500
HC10250	1973-86	All	Sleeper Units (RED DOT)	73R6150
HC12800	1987-2002	All	Sleeper Units (BERGSTROM)	529800

T2000 SERIES

Table 13-179: Kenworth Application - Blower Wheels - T2000 Series

TRP® Part No.	Year	Model	Description	OEM Part No.
HC10050	1996-2007	T2000	Main Unit (BERGSTROM)	563500

CLUTCHES

ZEXEL

Table 13-180: Kenworth Application - Clutches - Zexel

TRP® Part No.	Description	OEM Part No.
KA10250	ZEXEL Diesel KIKI, CH Series, 2 GR. 5-1/4" Diameter	511051
KA10550	ZEXEL Diesel KIKI, CH Series, 1 GR. 4.9" Diameter OVERHANG	511575

TCCI

Table 13-181: Kenworth Application - Clutches - York/ Tecumseh

TRP® Part No.	Description	OEM Part No.
KA10950	TCCI 1 GR. 6" Diameter Pulley	024-21942, K332-62-2
KA10400	TCCI 2 GR. 6" Diameter Pulley with Diode	K332-62-1
KA10350	TCCI 2 GR. 7" Diameter Pulley	K332-29
KA15300	TCCI 1 GR. with Dual Lead Wire	K332-59-6
KA15250	TCCI 2 GR. with Dual Lead Wire	024-25238, K332-59-5
KA14000	TCCI 6 GR. Far Forward with Dual Lead Wire	024-25244
KA15350	TCCI 6 GR. with Dual Lead Wire	024-25241, K332-59-7
KA14050	TCCI 8 GR. with Dual Lead Wire	024-25247

COMPRESSORS

TCCI - R-12/R-134A OEM, w/o VALVES, w/ UNIVERSAL OIL

Table 13-182: Kenworth Application - Compressors - TCCI - R-12/R-134A OEM Compressors w/o Valves, w/ Universal Oil

TRP® Part No.	Description	OEM Part No.
RD5-8637-0	ROTALOCK Type Head with TEFLON O-Rings	ER210L-25149

TCCI - COMPRESSOR CLUTCH COMBINATION

Table 13-183: Kenworth Application - Compressors - TCCI - Compressor Clutch Combination

TRP® Part No.	Description	OEM Part No.
KA1040	DETROIT Series 60, CAT 3406, Cummins L10 & M11	ET210L-25073C
KA1405	DETROIT Series 60 with Pad Mount Bracket	ET210L-25246C
KA1525	DETROIT Series 60, CAT 3406, Cummins M11	ET210L-25237C

ZEXEL/DIESEL KIKI/SELTEC/ICE - R-134A, w/ PAG OIL & No CHARGING PORTS

Table 13-184: Kenworth Application - Compressors - ZEXEL/Diesel KIKI/SELTEC/ICE - R-134A Compressor with PAG Oil & No Charging Ports

TRP® Part No.	Description	OEM Part No.
103-55011	Diesel KIKI TM15CH with 2 GR. 5-1/4" Diameter	488-45011

CLUTCH SWITCHES

C500, K100, W900, T-SERIES

Table 13-185: Kenworth Application - Clutch Switches - C500, K100, W900, T-Series

TRP® Part No.	Year	Model	Description	OEM Part No.
BA10800	1981-2000	C500, W900B, T-Series, K100E	Clutch Switch	652100

CONDENSERS

13-210 MID-RANGER

Table 13-186: Kenworth Application - Condensers - 13-210 Mid-Ranger

TRP® Part No.	Year	Model	Description	OEM Part No.
PA11900	1987-93	13-210 Mid-Ranger	with RED DOT A/C	RD4-4161-0

EVAPORATOR CORES

13-210 MID-RANGER

Table 13-187: Kenworth Application - Evaporator Cores - 13-210 Mid-Ranger

TRP® Part No.	Year	Model	Description	OEM Part No.
NA11450	1987-95	13-210 Mid-Ranger	with RED DOT A/C	RD2-1510-0

K100-SERIES

Table 13-188: Kenworth Application - Evaporator Cores - K100-Series

TRP® Part No.	Year	Model	Description	OEM Part No.
NA10500	1996-2007	K100E	Main Unit (BERGSTROM)	151290

C500, W900, T-SERIES

Table 13-189: Kenworth Application - Evaporator Cores - C500, W900, T-Series

TRP® Part No.	Year	Model	Description	OEM Part No.
NA10050	1986-94	C500, T400, T600, T800, W900	Main Unit	151280
NA10200	1980-85	C500, T400, T600, T800, W900	Main Unit (KYSOR)	400064
NA10900	1995-2007	C500, T300, T400, T600, T800, W900	Main Unit	151328

SLEEPER UNITS

Table 13-190: Kenworth Application - Sleeper Units

TRP® Part No.	Year	Model	Description	OEM Part No.
NA10300	1987-2007	All	Sleeper Unit (Modular Sleeper)	151100
NA11500	1996-2007	All	Sleeper Unit	151321

EXPANSION VALVES

13-210 MID-RANGER

Table 13-191: Kenworth Application - Expansion Valves - 13-210 Mid-Ranger

TRP® Part No.	Year	Model	Description	OEM Part No.
EA10650	1987-93	13-210 Mid-Ranger	with KYSOR A/C	404255
EA10650	1987-93	13-210 Mid-Ranger	with RED DOT A/C	540031

C500-SERIES

Table 13-192: Kenworth Application - Expansion Valves -C500 Series

TRP® Part No.	Year	Model	Description	OEM Part No.
EA10050	1969-82	C500, BRUTE	Main Unit with Flare Type EXT. EQUALIZED	K251-306
EA10650	1980-85	C500, BRUTE	with BLOCK Valve	1-2467Q

K100-SERIES

Table 13-193: Kenworth Application - Expansion Valves - K100-Series

TRP® Part No.	Year	Model	Description	OEM Part No.
EA10650	1996-2006	K100E	Main Unit	540031
EA12300	1980-85	K100 Models	Main Unit (RED DOT)	404473

C500, W900, T-SERIES

Table 13-194: Kenworth Application - Expansion Valves - C500, W900, T-Series

TRP® Part No.	Year	Model	Description	OEM Part No.
EA10050	1969-82	W900	Main Unit with Flare Type EXT. EQUALIZED	K251-306
EA10650	1995-2006	C500, T300, T400, T600, T800, W900	Main Unit	540031
EA10900	1986-94	C500, T400, T600, T800, W900	Main Unit	589500
EA10950	1996-2007	T2000	Main Unit	540057

SLEEPER UNITS

Table 13-195: Kenworth Application - Expansion Valves - Sleeper Units

TRP® Part No.	Year	Model	Description	OEM Part No.
EA10650	1986-2007	All	Sleeper Unit	540031

HEATER CORES

L700-SERIES

Table 13-196: Kenworth Application - Heater Cores - L700-Series

TRP® Part No.	Year	Model	Description	OEM Part No.
MC10500	1973-86	L700	Sleeper Unit (RED DOT)	RD1-0333-0

K100-SERIES

Table 13-197: Kenworth Application - Heater Cores - K100-Series

TRP® Part No.	Year	Model	Description	OEM Part No.
MC10100	1971-82	K100	Sleeper Unit (BERGSTROM)	107800
MC10950	1980-85	K100	Main Unit (RED DOT)	RD1-0388-0
MC10850	1996-2007	K100E	Main Unit	110650

C500 SERIES

Table 13-198: Kenworth Application - Heater Cores - C500 Series

TRP® Part No.	Year	Model	Description	OEM Part No.
MC10150	1976-82	C500, BRUTE	Sleeper Unit (RED DOT)	RD1-0147-1

C500, W900, T-SERIES

Table 13-199: Kenworth Application - Heater Cores - C500, W900, T-Series

TRP® Part No.	Year	Model	Description	OEM Part No.
MC10300	1980-85	C500, T400, T600, T800, W900	Main Unit (KYSOR)	280262

SLEEPER UNITS

Table 13-200: Kenworth Application - Heater Cores - Sleeper Units

TRP® Part No.	Year	Model	Description	OEM Part No.
MC10050	1986-94	C500, T400, T600, T800, W900	Main Unit (BERGSTROM)	110640
MC10050	1995-2007	C500, T300, T400, T600, T800, W900	Main Unit	110640
MC10500	1973-86	All	Sleeper Unit	108302
MC10550	1987-2007	All	Sleeper Unit (Modular Sleeper)	110470
MC11350	1996-2007	All	Sleeper Unit	108263

PRESSURE SWITCHES

C500, K100, W900, T-SERIES

Table 13-201: Kenworth Application: Pressure Switches - C500, K100, W900, T-Series

TRP® Part No.	Year	Model	Description	OEM Part No.
BA11400	1974-87	K100 ModelS, W900	Safety Temp Switch	RD4527-0
BB10000	1983-89	C500, W900B, T-Series, K100E	Low Pressure Switch	RD4191-0
BC10000	1989-94	C500, W900B, T-Series, K100E	Trinary Switch (Expansion Valve Mounted)	RD5-4583-0
BA12400	1989-94	C500, W900B, T-Series, K100E	Female Trinary Switch, NC (Expansion Valve Mounted)	RD5-4625-0
BC10050	1989-99	C500, W900B, T-Series, K100E	Male Trinary Switch, NO	RD5-4585-0
BB10250	1989-99	C500, W900B, T-Series, K100E	High Pressure Switch	867559
BA12650	1989-99	C500, W900B, T-Series, K100E	Female Trinary Switch, NC	RD5-4620-0

RECEIVER DRIERS/ ACCUMULATORS

13-210 MID-RANGER

Table 13-202: Kenworth Application: Receiver Driers/ Accumulators - 13-210 Mid-Ranger

TRP® Part No.	Year	Model	Description	OEM Part No.
JA17900	1987-93	13-210 Mid-Ranger	with KYSOR A/C	402720, K256-566
JA10900	1987-93	13-210 Mid-Ranger	with RED DOT A/C	RD5-5571-0

C500, K100, W900, T-SERIES

Table 13-203: Kenworth Application: Receiver Driers/ Accumulators - C500, K100, W900, T-Series

TRP® Part No.	Year	Model	Description	OEM Part No.
JA11050	1975-87	K100 ModelS, W900 Conventional, BRUTE, C500 Conventional	with Trinary Switch	K251-363
JA11300	1975-87	K100 ModelS, W900 Conventional, BRUTE, C500 Conventional	without Trinary Switch	K251-263
JA13050	1982-89	C500, T600, T800, W900B	with Side Sight Glass (Excludes: 1988 AND ABOVE)	K251-459
JA11350	1988-93	C500, K100, T400, T450, T500, T600, T800, W900B	with Moisture Indicator	K251-521

RESISTORS

K100-SERIES

Table 13-204: Kenworth Application: Resistors -K100-Series

TRP® Part No.	Year	Model	Description	OEM Part No.
JA13000	1988-93	C500, K100, T400, T450, T500, T600, T800, W900B	without Moisture Indicator	K251-459
GD11350	1994-2002	C500, K100, T400, T450, T600, T800, W900B	with Moisture Indicator & Side Sight Glass	K251-571
JA20350	1994-2002	C500, K100, T400, T450, T600, T800, W900B	with Quick Disconnect	PH088341-00
JA22250	1996-2007	T2000		F37-6000C
CA10000	1980-85	K100	Blower Resistor (RED DOT A/C)	RD5-3647-0

C500, K100, W900, T-SERIES

Table 13-205: Kenworth Application: Resistors - C500, K100, W900, T-Series

TRP® Part No.	Year	Model	Description	OEM Part No.
CA10350	1995-2006	C500, K100E, W900B, T-Series	MAIN & Sleeper Units (BERGSTROM)	650179

SWITCHES

K100-SERIES

Table 13-206: Kenworth Application: Switches - K100-Series

TRP® Part No.	Year	Model	Description	OEM Part No.
BA12050	1980-85	K100	Blower Switch (RED DOT A/C)	RD5-4694-1
BA10050	1980-85	C500, W900B, T-Series	Blower Switch (KYSOR A/C)	221503
BA10050	1986-2000	C500, K100E, W900B, T-Series	Blower Switch (BERGSTROM A/C)	652090
BA10800	1986-2000	C500, K100E, W900B, T-Series	Clutch Switch (BERGSTROM A/C)	652100
DB10000	1996-2000	C500, K100E, W900B, T-Series	Push Button Valve	591520
BA13900	2001-2005	C500, K100E, W900B, T-Series	Blower Switch (BERGSTROM A/C)	650657
BA13900	2006	T300	Blower Switch (BERGSTROM A/C)	650657

C500, K100, W900, T-SERIES

Table 13-207: Kenworth Application: Switches - C500, K100, W900, T-Series

TRP® Part No.	Year	Model	Description	OEM Part No.
BA10050	1980-85	C500, W900B, T-Series	Blower Switch (KYSOR A/C)	221503
BA10050	1986-2000	C500, K100E, W900B, T-Series	Blower Switch (BERGSTROM A/C)	652090
BA10800	1986-2000	C500, K100E, W900B, T-Series	Clutch Switch (BERGSTROM A/C)	652100
DB10000	1996-2000	C500, K100E, W900B, T-Series	Push Button Valve	591520
BA13900	2001-2005	C500, K100E, W900B, T-Series	Blower Switch (BERGSTROM A/C)	650657
BA13900	2006	T300	Blower Switch (BERGSTROM A/C)	650657

THERMAL SWITCHES

K100-SERIES

Table 13-208: Kenworth Application: Thermal Switches - K100-Series

TRP® Part No.	Year	Model	Description	OEM Part No.
BA11400	1974-87	K100 ModelS	Safety Temp Switch	RD4527-0
BA11400	1974-87	W900	Safety Temp Switch	RD4527-0

W900-SERIES

Table 13-209: Kenworth Application: Thermal Switches - W900-Series

TRP® Part No.	Year	Model	Description	OEM Part No.
BA11400	1974-87	W900	Safety Temp Switch	RD4527-0

THERMOSTATIC SWITCHES

13-210 MID-RANGER

Table 13-210: Kenworth Application: Thermostatic Switches - 13-210 Mid-Ranger

TRP® Part No.	Year	Model	Description	OEM Part No.
BD10750	1987-96	13-210 Mid-Ranger	with RED DOT	RD4427-24
BD11050	1987-96	13-210 Mid-Ranger	with KYSOR A/C	404145

K100-SERIES

Table 13-211: Kenworth Application: Thermostatic Switches - K100-Series

TRP® Part No.	Year	Model	Description	OEM Part No.
BD10750	1980-85	K100	Preset Type	A45-1054-01
BD13400	1986-2006	K100E	Preset Type	589490

C500, K100, W900, T-SERIES

Table 13-212: Kenworth Application: Thermostatic Switches - C500, K100, W900, T-Series

TRP® Part No.	Year	Model	Description	OEM Part No.
BD10750	1980-85	C500, BRUTE	Preset Type	A45-1054-01
BD11050	1980-85	T400, T450, T600, T800, W900	Preset Type	RD4531-24
BD13400	1986-90	C500, T400, T600, T800, W900	Preset Type	589490
BD13550	1991-2007	C500, T300, T600, T800, W900	Preset Type	650163

T2000-SERIES

Table 13-213: Kenworth Application: Thermostatic Switches - T2000-Series

TRP® Part No.	Year	Model	Description	OEM Part No.
BD13550	1996-2007	T2000	Preset Type	650163

WATER VALVES

K100-SERIES

Table 13-214: Kenworth Application: Water Valves - K100 Series

TRP® Part No.	Year	Model	Description	OEM Part No.
MA10400	1996-2006	K100E	Cable Operated (BERGSTROM)	866860

C500, W900, T-SERIES

Table 13-215: Kenworth Application: Water Valves -C500, W900, T-Series

TRP® Part No.	Year	Model	Description	OEM Part No.
MA10000	1995-2002	T300	Cable Operated (BERGSTROM)	865850
MA10000	1996-2002	C500, T-Series, W900	Cable Operated with 90° Fitting (BERGSTROM)	865850

SLEEPER UNITS

Table 13-216: Kenworth Application: Water Valves -Sleeper Units

TRP® Part No.	Year	Model	Description	OEM Part No.
MA16900	2003-2005	C500, T-Series, W900	Cable Operated with ST Fitting (BERGSTROM)	870081

MACK HIGH VOLUME PARTS LIST

QUICK REFERENCE SHEET/ INVENTORY ASSISTANCE

BLOWER MOTORS

Table 13-217: Mack High Volume Parts List - Blower Motors

TRP® Part No.	OEM Part No.
HB10700	4379-RD551210
HA10700	4379-RD537530
HA23700	7787-869445
HA23400	4379-RD591000

BLOWER WHEELS

Table 13-218: Mack High Volume Parts List - Blower Wheels

TRP® Part No.	OEM Part No.
HC14300	4379-RD566510
HC13450	4379-RD552630
HC13250	4379-RD556010

CONDENSERS

Table 13-219: Mack High Volume Parts List - Condensers

TRP® Part No.	OEM Part No.
PB13300	210RD54M

EXPANSION VALVES

Table 13-220: Mack High Volume Parts List - Expansion Valves

TRP® Part No.	OEM Part No.
EA10650	4379-RD568680
EA10750	4379-RD570150

RECEIVER DRIERS

Table 13-221: Mack High Volume Parts List - Receiver Driers

TRP® Part No.	OEM Part No.
JA19800	221RD335
JA17950	221RD334

SWITCHES

Table 13-222: Mack High Volume Parts List - Switches

TRP® Part No.	OEM Part No.
BA12050	4379-RD546941

THERMOSTATS

Table 13-223: Mack High Volume Parts List - Thermostats

TRP® Part No.	OEM Part No.
BD11050	RD5-4531-24
BD10750	RD4427-24
BD13550	7787-650163

MACK APPLICATION

AIR FILTERS

CX (VISION), GRANITE, KEYSTONE

Table 13-224: Mack Application - Air Filters - CX (Vision), Granite, Keystone

TRP Part No.	Year	Model	Description	OEM Part No.
GD11500	2000-2007	CX (VISION), GRANITE, KEYSTONE	Air Filter	7787-525784

BLOWER MOTORS

R, U, D-SERIES

Table 13-225: Mack Application - Blower Motors - R, U, D-Series

TRP® Part No.	Year	Model	Description	OEM Part No.
HA10700	1988-2002	RB, RD, DM, Dmm	Main Unit (RED DOT)	4379-RD537530

W-SERIES

Table 13-226: Mack Application - Blower Motors - W-Series

TRP® Part No.	Year	Model	Description	OEM Part No.
HA10700	1981-86	WL, WS	Main Unit (RED DOT)	4379-RD537530

MH ULTRALINER

Table 13-227: Mack Application - Blower Motors - MH UltraLiner

TRP® Part No.	Year	Model	Description	OEM Part No.
HA10700	1983-93	MH ULTRALINER	Main Unit (SIGNET & EVANS A/C)	3230-224-766

CS/MS MIDLINER (CONVENTIONAL)

Table 13-228: Mack Application - Blower Motors - CS/MS MIDLINER (Conventional)

TRP® Part No.	Year	Model	Description	OEM Part No.
HA23400	1988-93	CS/MS MIDLINER (Conventional)	with BEHR A/C	3230-224765
HA17100	1986-96	CS MIDLINER	with KYSOR A/C (EVAP. MTR)	7979-275102
HB10700	1990-2000	CS MIDLINER (Conventional)	Main Unit (RED DOT)	4379-RD551210

MS MIDLINER (TILTCAB)

Table 13-229: Mack Application - Blower Motors - MS MIDLINER (TiltCab)

TRP® Part No.	Year	Model	Description	OEM Part No.
HA17100	1979-2000	MS MIDLINER	with KYSOR OR RED DOT A/C (Heater Mtr.)	RD5-5614-0

MR & MC (LCF)

Table 13-230: Mack Application - Blower Motors - MR & MC (LCF)

TRP® Part No.	Year	Model	Description	OEM Part No.
HB10700	1986-2000	MR & MC (LCF)	Main Unit (LCF)	4379-RD5-5121-0

CH, CL-SERIES

Table 13-231: Mack Application - Blower Motors - CH, CL-Series

TRP® Part No.	Year	Model	Description	OEM Part No.
HA23400	1988-2000	CH, CL Conventional	Main Unit (RED DOT)	4379-RD5-8201-0
HA23400	2000-2002	CH, CL Conventional	Main Unit (RED DOT)	4379-RD5-9100-0

CX (VISION), GRANITE, KEYSTONE

Table 13-232: Mack Application - Blower Motors - CX (Vision), Granite, Keystone

TRP® Part No.	Year	Model	Description	OEM Part No.
HA23400	1999-2000	CX (VISION)	Main Unit (RED DOT)	4379-RD5-8201-0
HA23400	2000-2001	CX (VISION)	Main Unit (RED DOT)	4379-RD5-9100-0
HA23700	2000-2007	CX (VISION), GRANITE, KEYSTONE	Main Unit Assembly (BERGSTROM)	7787-869445

SLEEPER UNITS

Table 13-233: Mack Application - Blower Motors - Sleeper Units

TRP® Part No.	Year	Model	Description	OEM Part No.
HA10600	1987-94	All	Sleeper Unit - R-4120 Combo & Heater Only	RD5-6526-1

BLOWER WHEELS

W-SERIES

Table 13-234: Mack Application - Blower Wheels - W-Series

TRP® Part No.	Year	Model	Description	OEM Part No.
HC10250	1979-86	WL, WS COE	with RED DOT A/C (CCW ROTATION)(2-1/2" WIDTH)	4379-3106-14
HC14000	1979-86	WL, WS COE	with RED DOT A/C (CCW ROTATION)(3-1/2" WIDTH)	4379-RD3106-9
HC12800	1979-86	WL, WS COE	CW ROTATION	4379-RD3106-15
HC14000	1981-86	WL, WS COE	Main Unit (RED DOT)	4379-RD3106-9

R, U, D-SERIES

Table 13-235: Mack Application - Blower Wheels - R, U, D-Series

TRP® Part No.	Year	Model	Description	OEM Part No.
HC10250	1979-86	R, RW, RL, RS, U, DM	with RED DOT A/C (CCW ROTATION)(2-1/2" WIDTH)	4379-RD3106-14
HC14000	1979-86	R, RW, RL, RS, U, DM	with RED DOT A/C (CCW ROTATION)(3-1/2" WIDTH)	4379-RD3106-9
HC12800	1979-86	R, RW, RL, RS, U, DM	CW ROTATION	4379-RD3106-15
HC13450	1987-95	RW, RL, RS	Main Unit (RED DOT)	4379-RD5-5263-0
HC13450	1988-2002	RB, RD, DM, Dmm	Main Unit (RED DOT)	4379-RD5-5263-0

CM-SERIES

Table 13-236: Mack Application - Blower Wheels - CM-Series

TRP® Part No.	Year	Model	Description	OEM Part No.
HC12800	1988-94	CM Series	Main Unit	4379-RD3106-15

MH-SERIES

Table 13-237: Mack Application - Blower Wheels - MH-Series

TRP® Part No.	Year	Model	Description	OEM Part No.
HC14000	1986-96	MH ULTRALINER	Main Unit	4379-RD3106-9

MS, CS-SERIES

Table 13-238: Mack Application - Blower Wheels - MS, CS-Series

TRP® Part No.	Year	Model	Description	OEM Part No.
HC13500	1990-96	MS, CS MIDLINER	Main Unit (RED DOT)	7979-260680
HC13500	1990-2000	MS MIDLINER (TILT Cab)	Main Unit (RED DOT)	4379-RD5-5656-0

LE-SERIES

Table 13-239: Mack Application - Blower Wheels - LE-Series

TRP® Part No.	Year	Model	Description	OEM Part No.
HC13000	1993-2000	LE	Main Unit (RED DOT)	4379-RD3-2557-0

CH , CL - SERIES

Table 13-240: Mack Application - Blower Wheels - CH , CL - Series

TRP® Part No.	Year	Model	Description	OEM Part No.
HC14300	1986-2002	CL, CH Conventional	Main Unit (RED DOT)	4379-RD5-6651-0

CX-SERIES

Table 13-241: Mack Application - Blower Wheels - CX-Series

TRP® Part No.	Year	Model	Description	OEM Part No.
HC14300	1999-2000	CX (VISION)	Main Unit (RED DOT)	4379-RD5-6651-0

SLEEPER UNITS

Table 13-242: Mack Application - Blower Wheels - Sleeper Units

TRP® Part No.	Year	Model	Description	OEM Part No.
HC10250	1979-86	All	Sleeper Unit - R-3911A Combo & Heater Only	RD3106-14
HC14000	1981-86	All - CONVENTIONAL	Sleeper Unit - R-4070 Combo & Heater Only	RD3106-9
HC12800	1986-93	All - COE	Sleeper Unit - BUNK Blower (RED DOT)	RD3106-15
HC13250	1987-2000	All	"Sleeper Unit - R-4120, R-4230, R-4240 Combo & Heater Only - CTC"	RD5-5601-0

CLUTCH SWITCHES

CH, CL-SERIES

Table 13-243: Mack Application - Clutch Switches - CH, CL-Series

TRP® Part No.	Year	Model	Description	OEM Part No.
BA10800	1988-2000	CH, CL, CM Conventional	Clutch Switch (RED DOT)	4379-RD5-5308-0

CONDENSERS

R, U, D SERIES

Table 13-244: Mack Application - Condensers - R, U, D Series

TRP® Part No.	Year	Model	Description	OEM Part No.
PB13400	1996-2005	RD		210RD418

MH SERIES

Table 13-245: Mack Application - Condensers - MH Series

TRP® Part No.	Year	Model	Description	OEM Part No.
PA11600	1983-93	MH, ULTRALINER	with Factory Air	210RD46AM

DH SERIES

Table 13-246: Mack Application - Condensers - DH Series

TRP® Part No.	Year	Model	Description	OEM Part No.
PB13200	1991-93	DH	with Factory Air	210RD412

CH, CL-SERIES

Table 13-247: Mack Application - Condensers - CH, CL-Series

TRP® Part No.	Year	Model	Description	OEM Part No.
PB13300	1994-2000	CH, CL	with Factory Air (28" x 23")	210RD54M
PA12750	1989-94	CH, CL	Radiator Mount	210RD411M

EVAPORATOR CORES

W-SERIES

Table 13-248: Mack Application - Evaporator Cores - W-Series

TRP® Part No.	Year	Model	Description	OEM Part No.
NA11700	1975-84	WL, WS CRUISELINER	Main Unit	4379-RD2-1156-0

R, U, D-SERIES

Table 13-249: Mack Application - Evaporator Cores - R, U, D- Series

TRP® Part No.	Year	Model	Description	OEM Part No.
NA11900	1987-90	R, U, DM	Main Unit (with Drainpan)	4379-RD2-1480-1
NA11900	1988-2002	RB, RD, DM, Dmm	Main Unit (with Drainpan)	4379-RD2-1480-1

MC, MR-SERIES

Table 13-250: Mack Application - Evaporator Cores - MC, MR-Series

TRP® Part No.	Year	Model	Description	OEM Part No.
NA11800	1986-2000	MC, MR Series	Main Unit	4379-RD2-1381-0

MS-SERIES

Table 13-251: Mack Application - Evaporator Cores - MS-Series

TRP® Part No.	Year	Model	Description	OEM Part No.
NA11450	1990-2000	MS MIDLINER	Port-OF-ENTRY (RED DOT)	4379-RD2-1510-0

CH, CL-SERIES

Table 13-252: Mack Application - Evaporator Cores - CH, CL-Series

TRP® Part No.	Year	Model	Description	OEM Part No.
NB10450	1988-2002	CL, CH Conventional	Main Unit	4379-RD2-1655-0

CX-SERIES

Table 13-253: Mack Application - Evaporator Cores - CX-Series

TRP® Part No.	Year	Model	Description	OEM Part No.
NB10450	1999-2000	CX (VISION)	Main Unit (RED DOT)	4379-RD2-1655-0

SLEEPER UNITS

Table 13-254: Mack Application - Evaporator Cores - Sleeper Units

TRP® Part No.	Year	Model	Description	OEM Part No.
NB10300	1987-94	All	Sleeper Unit	4379-RD2-1590-0

EXPANSION VALVES

F-SERIES

Table 13-255: Mack Application - Expansion Valves - F-Series

TRP® Part No.	Year	Model	Description	OEM Part No.
EA10200	1975-81	F Model COE	Main Unit	7979-404073

MH-SERIES

Table 13-256: Mack Application - Expansion Valves - MH-Series

TRP® Part No.	Year	Model	Description	OEM Part No.
EA10150	1983-93	MH ULTRALINER	Main Unit with SIGNET A/C	3230-218023
EA10750	1986-94	MH	Main Unit (RED DOT)	4379-RD5-7015-0

CS, MS-SERIES

Table 13-257: Mack Application - Expansion Valves - CS, MS-Series

TRP® Part No.	Year	Model	Description	OEM Part No.
EA10650	1979-93	"CS, MS MIDLINER/ MAGIRUS 200/300, CS200-2"	Main Unit with KYSOR A/C	4379-RD5-6868-0
EA10650	1987-2000	CS, MS MIDLINER	Main Unit with RED DOT	4379-RD5-6868-0

CM-SERIES

Table 13-258: Mack Application - Expansion Valves - CM-Series

TRP® Part No.	Year	Model	Description	OEM Part No.
EA10650	1988-94	CM Conventional	Main Unit	4379-RD5-6868-0

R, U, D-SERIES

Table 13-259: Mack Application - Expansion Valves - R, U, D-Series

TRP® Part No.	Year	Model	Description	OEM Part No.
EA10650	1978-95	R, DM, RW, RS, RL	Main Unit (RED DOT)	4379-RD5-6868-0
EA10650	1988-2002	RB, RD, DM, Dmm	Main Unit (RED DOT)	4379-RD5-6868-0

MR, MC-SERIES

Table 13-260: Mack Application - Expansion Valves - MR, MC-Series

TRP® Part No.	Year	Model	Description	OEM Part No.
EA10650	1986-2000	MR & MC Series	Main Unit	4379-RD5-6868-0

CH, CL-SERIES

Table 13-261: Mack Application - Expansion Valves - CH, CL-Series

TRP® Part No.	Year	Model	Description	OEM Part No.
EA10750	1988-2002	CL, CH Conventional	Main Unit	4379-RD5-7015-0

CX (VISION), GRANITE, KEYSTONE

Table 13-262: Mack Application - Expansion Valves - CX (Vision), Granite, Keystone

TRP® Part No.	Year	Model	Description	OEM Part No.
EA10750	1999-2000	CX (VISION)	Main Unit (RED DOT)	4379-RD5-7015-0
EA10750	2000-2003	CX (VISION), GRANITE, KEYSTONE	Main Unit (BERGSTROM)	7787-540021
EA10750	2003-2007	CX (VISION), GRANITE, KEYSTONE	Main Unit (BERGSTROM)	7787-540293

SLEEPER UNITS

Table 13-263: Mack Application - Expansion Valves - Sleeper Units

TRP® Part No.	Year	Model	Description	OEM Part No.
EA10650	1988-2002	All	with Sleeper Unit (RED DOT)	4379-RD5-6868-0

HEATER CORES

R, U, D-SERIES

Table 13-264: Mack Application - Heater Cores - R, U, D-Series

TRP® Part No.	Year	Model	Description	OEM Part No.
MC10500	1979-88	R, RW, RL, RS, U, DM	Sleeper Unit	4379-RD1-0333-0
MC12350	1984-88	R, U, DM	Main Unit (Plastic- without Drainpan)	4379-RD1-0615-0
MC12350	1984-88	R, U, DM	Main Unit (with Drainpan)	4379-RD1-0615-1
MC12350	1988-93	RB, RD, DM, Dmm	Main Unit (without Drainpan)	4379-RD1-0615-0
MC12350	1988-2002	RB, RD, DM, Dmm	Main Unit (with Drainpan)	4379-RD1-0615-1

MC, MR-SERIES

Table 13-265: Mack Application - Heater Cores - MC, MR-Series

TRP® Part No.	Year	Model	Description	OEM Part No.
MC12200	1986-2000	MC, MR	Main Unit	4379-RD1-0550-0

CH, CL-SERIES

Table 13-266: Mack Application - Heater Cores - CH, CL-Series

TRP® Part No.	Year	Model	Description	OEM Part No.
MC12400	1988-2002	CH, CL	N/A	4379-RD1-0744-0

PRESSURE SWITCHES

MH-SERIES

Table 13-267: Mack Application - Pressure Switches - MH-Series

TRP® Part No.	Year	Model	Description	OEM Part No.
BB14500	1982-93	MH ULTRALINER	High Pressure Switch (Dryer Mounted)	1MR3437-P2

R, U, D-SERIES

Table 13-268: Mack Application - Pressure Switches - R, U, D-Series

TRP® Part No.	Year	Model	Description	OEM Part No.
BC10100	1983-93	R, RL, RS, RW, U, DM	with RED DOT A/C, Binary Switch	4379-RD5-4646-0
BB10050	1983-93	R, RL, RS, RW, U, DM	with RED DOT A/C, Trinary Switch	4379-RD5-6395-0

MS, CS-SERIES

Table 13-269: Mack Application - Pressure Switches - MS, CS-Series

TRP® Part No.	Year	Model	Description	OEM Part No.
BA12400	1989-2000	CS MIDLINER	with RED DOT A/C, Binary Switch	4379-RD5-4640-0

CH, CL, CM-SERIES

Table 13-270: Mack Application - Pressure Switches - CH, CL, CM-Series

TRP® Part No.	Year	Model	Description	OEM Part No.
BC10000	1988-99	CL, CH, CM Conventional	with RED DOT A/C, Trinary Switch	4379-RD5-4583-0
BA12400	1988-99	CL, CH, CM Conventional	with RED DOT A/C, Binary Switch	4379-RD5-4640-0
BC10050	1988-99	CL, CH, CM Conventional	with SIGNET Binary Switch	4379-RD5-4585-0

RECEIVER DRIERS/ ACCUMULATORS

F-SERIES

Table 13-271: Mack Application - Receiver Driers/ Accumulators - F-Series

TRP® Part No.	Year	Model	Description	OEM Part No.
JA10450	1978-81	F Model COE	O-Ring Type with KYSOR A/C	7979-402562

W-SERIES

Table 13-272: Mack Application - Receiver Driers/ Accumulators - W-Series

TRP® Part No.	Year	Model	Description	OEM Part No.
JA11300	1979-87	WL, WS, WM, CRUISELINER COE	O-Ring Type with Side Mount L.P. Switch	210RD39303

MS, CS-SERIES

Table 13-273: Mack Application - Receiver Driers/ Accumulators - MS, CS-Series

TRP® Part No.	Year	Model	Description	OEM Part No.
JA10850	1979-87	MS MIDLINER/ MAGIRUS	O-Ring Type	402529
JA10450	1983-88	CS, MS MIDLINER	O-Ring Type with KYSOR A/C	7979-402562

R, U, D-SERIES

Table 13-274: Mack Application - Receiver Driers/ Accumulators - R, U, D-Series

TRP® Part No.	Year	Model	Description	OEM Part No.
JA10850	1977-81	R Series	with ECONODINE ENGINE	402529
JA11050	1977-93	R, RL, RS, RW, U, DM Series Conventional	with Trinary Switch	221RD315

TRP® Part No.	Year	Model	Description	OEM Part No.
JA10850	1977-93	R, RL, RS, RW, U, DM Series Conventional	without Switch (Tall)	402529
JA19800	1994-2002	RB, RD, DM	O-Ring Type with Metric PortS AND Moisture IND.	221RD335
JA19750	1994-2002	RB, RD, DM	O-Ring Type with Standard PortS AND MI	221RD334

CH, CL-SERIES

Table 13-275: Mack Application - Receiver Driers/ Accumulators - CH, CL-Series

TRP® Part No.	Year	Model	Description	OEM Part No.
JA19800	1994-2002	CH, CL	O-Ring Type with Metric PortS AND Moisture IND.	221RD335
JA19750	1994-2002	CH, CL	O-Ring Type with Standard PortS AND MI	221RD334

CX (VISION), GRANITE, KEYSTONE

Table 13-276: Mack Application - Receiver Driers/ Accumulators - CX (Vision), Granite, Keystone

TRP® Part No.	Year	Model	Description	OEM Part No.
JA19800	1999-2002	(CX VISION), GRANITE, KEYSTONE	O-Ring Type with Metric PortS AND Moisture IND.	JA19800

RELAYS

CS, MS-SERIES

Table 13-277: Mack Application - Relays - CS, MS-Series

TRP® Part No.	Year	Model	Description	OEM Part No.
CB11000	1979-88	CS, MS MIDLINER/ MAGIRUS	with KYSOR A/C, Blower Relay (EXC. Mini Relay)	220715
CB10800	1983-93	CS, MS MIDLINER	with KYSOR A/C, Mini Relay	2MR2014

RESISTORS

MS, CS-SERIES

Table 13-278: Mack Application - Resistors - MS, CS-Series

TRP® Part No.	Year	Model	Description	OEM Part No.
CA10000	1982-97	MS, CS MIDLINER	with RED DOT Unit	4379-RD536470

SWITCHES

F-SERIES

Table 13-279: Mack Application - Switches - F-Series

TRP® Part No.	Year	Model	Description	OEM Part No.
BA13050	1975-81	F Model COE	Fan Switch (BUNK)	4379-RD5-3748-0

MH-SERIES

Table 13-280: Mack Application - Switches - MH-Series

TRP® Part No.	Year	Model	Description	OEM Part No.
BA14250	1982-85	MH ULTRALINER	Blower Switch, with Factory A/C (SIGNET)	n/a

CS, MS-SERIES

Table 13-281: Mack Application - Switches - CS, MS-Series

TRP® Part No.	Year	Model	Description	OEM Part No.
BA13900	1979-93	CS, MS MIDLINER/ MAGIRUS	with KYSOR A/C Blower Switch (12VOLT)(Non-Resistor Type)	220635
BA11450	1979-93	CS, MS MIDLINER/ MAGIRUS	with KYSOR A/C Blower Switch (12VOLT) (Resistor Type)	220300
BA13950	1979-93	CS, MS MIDLINER/ MAGIRUS	Blower Switch (24 VOLT)	220268

R, D-SERIES

Table 13-282: Mack Application - Switches - R, D-Series

TRP® Part No.	Year	Model	Description	OEM Part No.
BA12050	1980-2002	R, DM	Fan Switch with RED DOT Unit	4379-RD546941
BA10650	1980-96	R, DM	Fan Switch with KYSOR Unit	220635

MC, MR

Table 13-283: Mack Application - Switches - MC, MR

TRP® Part No.	Year	Model	Description	OEM Part No.
BA12050	1986-2003	MC, MR	Fan Switch	4379-RD546941

CH

Table 13-284: Mack Application - Switches - CH

TRP® Part No.	Year	Model	Description	OEM Part No.
BA12050	1988-2002	CH	Fan Switch	4379-RD546941

THERMAL SWITCHES

F-SERIES

Table 13-285: Mack Application - Thermal Switches - F-Series

TRP® Part No.	Year	Model	Description	OEM Part No.
BA11400	1975-81	F Model COE	Temp Switch	404008

THERMOSTATIC SWITCHES

F-SERIES

Table 13-286: Mack Application - Thermostatic Switches - F-Series

TRP® Part No.	Year	Model	Description	OEM Part No.
BD10150	1975-81	F Model COE	KNOB Type (with 36" Cap Tube)	7979-404028

W-SERIES

Table 13-287: Mack Application - Thermostatic Switches W-Series

TRP® Part No.	Year	Model	Description	OEM Part No.
BD10750	1981-83	WL, WS, CRUISELINER	Preset Type	4379-RD4427-24

MH-SERIES

Table 13-288: Mack Application - Thermostatic Switches - MH-Series

TRP® Part No.	Year	Model	Description	OEM Part No.
BD10750	1986-89	MH ULTRALINER	with Preset THERMOSTAT	4379-RD4427-24

CS, MS-SERIES

Table 13-289: Mack Application - Thermostatic Switches - CS, MS-Series

TRP® Part No.	Year	Model	Description	OEM Part No.
BD10150	1979-87	MS MIDLINER 200-300 MAGIRUS	with KYSOR A/C (KNOB Type)	7979-404028
BD11050	1983-89	CS, MS MIDLINER 200, 250, 300, CS200-250	with KYSOR A/C (Preset Type)	4379-RD5-4531-24
BD10750	1987-2000	MS MIDLINER	with RED DOT A/C	4379-RD4427-24
BD11050	1989-2000	CS MIDLINER	with RED DOT A/C	4379-RD5-4531-24
BD13550	2000-2007	CX (VISION), GRANITE, KEYSTONE	Preset Type (BERGSTROM)	7787-650163

R, U, D-SERIES

Table 13-290: Mack Application - Thermostatic Switches - R, U, D-Series

TRP® Part No.	Year	Model	Description	OEM Part No.
BD11050	1976-93	R, U	Preset Type	4379-RD5-4531-24
BD11050	1975-95	RL, RS, RW	Preset Type	4379-RD5-4531-24
BD10750	1976-2002	RB, RD, DM, Dmm	Preset Type	4379-RD4427-24

CM-SERIES

Table 13-291: Mack Application - Thermostatic Switches - CM-Series

TRP® Part No.	Year	Model	Description	OEM Part No.
BD11050	1989-94	CM Conventional	Preset Type	4379-RD5-4531-24

MR, MC-SERIES

Table 13-292: Mack Application - Thermostatic Switches - MR, MC-Series

TRP® Part No.	Year	Model	Description	OEM Part No.
BD11050	1986-2000	MR & MC Series	Preset Type	4379-RD5-4531-24

CH, CL-SERIES

Table 13-293: Mack Application - Thermostatic Switches - CH, CL-Series

TRP® Part No.	Year	Model	Description	OEM Part No.
BD11050	1988-89	CH Conventional	Preset Type	4379-RD5-4531-24
BD10750	1990-2000	CL, CH Conventional	Preset Type	4379-RD4427-24

CX (VISION) GRANITE, KEYSTONE

Table 13-294: Mack Application - Thermostatic Switches - CX (Vision) Granite, Keystone

TRP® Part No.	Year	Model	Description	OEM Part No.
BD10750	1999-2000	CX (VISION)	Main Unit (RED DOT)	4379-RD4427-24
BD13550	2000-2007	CX (VISION), GRANITE, KEYSTONE	Preset Type (BERGSTROM)	7787-650163

WATER VALVES

MH-SERIES

Table 13-295: Mack Application - Water Valves

TRP® Part No.	Year	Model	Description	OEM Part No.
MA10200	1986-93	MH ULTRALINER	Air Operated (RED DOT)	4379-RD5-4800-0

PETERBILT HIGH VOLUME PARTS LIST

QUICK REFERENCE SHEET/ INVENTORY ASSISTANCE

BLOWER MOTORS

Table 13-296: Peterbilt High Volume Parts List - Blower Motors

TRP Part No.	OEM Part No.
HA10600	HA10600
HA10700	HA10700
HA18250	HA18250
HB17500	HB17500
HA23750	HA23750
HA12600	HA12600
HA15250	HA1525

BLOWER WHEELS

Table 13-297: Peterbilt High Volume Parts List - Blower Wheels

TRP® Part No.	OEM Part No.
HC10050	HC10050
HC10500	HC10500
HC16250	HC16250

EXPANSION VALVES

Table 13-298: Peterbilt High Volume Parts List - Expansion Valves

TRP® Part No.	OEM Part No.
EA10650	EA10650
EC10150	EC10150
EC10250	EC10250
EA13150	EA13150

RECEIVER DRIERS

Table 13-299: Peterbilt High Volume Parts List - Receiver Driers

TRP® Part No.	OEM Part No.
JC10800	JC10800
JA22250	JA22250

SWITCHES

Table 13-300: Peterbilt High Volume Parts List - Switches

TRP® Part No.	OEM Part No.
CB10050	CB10050
CA10350	CA10350

THERMOSTATS

Table 13-301: Peterbilt High Volume Parts List - Thermostats

TRP® Part No.	OEM Part No.
BD11050	BD11050
BD10750	BD10750
BD13550	BD13550

WATER VALVES

Table 13-302: Peterbilt High Volume Parts List - Water Valves

TRP® Part No.	OEM Part No.
MA10200	MA10200
MA12050	MA12050

PETERBILT APPLICATION

BLOWER MOTORS

13-210 MID-RANGER

Table 13-303: Peterbilt Application - Blower Motors - 13-210 Mid-Ranger

TRP® Part No.	Year	Model	Description	OEM Part No.
HA17100	1987-88	13-210 Mid-Ranger	with RED DOT A/C	RD5-5614-0
HA17100	1989-91	13-210 Mid-Ranger	with KYSOR A/C	275102
HB10700	1992-95	13-210 Mid-Ranger	with RED DOT A/C	RD5-5121-0

282, 352-SERIES

Table 13-304: Peterbilt Application - Blower Motors - 282, 352-Series

TRP® Part No.	Year	Model	Description	OEM Part No.
HA11250	1974-80	COE 282, 352	Main Unit (KYSOR)	275140

320-SERIES

Table 13-305: Peterbilt Application - Blower Motors - 320-Series

TRP® Part No.	Year	Model	Description	OEM Part No.
HB10500	1987-96	320	Main Unit (BERGSTROM)	205780
HB10500	1997-2002	320	Main Unit - Heater Only Dual STEER (BERGSTROM)	205780
HB16100	1997-2007	320	Main Unit (BERGSTROM)	203080

362, 372-SERIES

Table 13-306: Peterbilt Application - Blower Motors - 362, 372-Series

TRP® Part No.	Year	Model	Description	OEM Part No.
HB11200	1981-87	352, 362, COE	Main Unit - (RED DOT)	AM86610

TRP® Part No.	Year	Model	Description	OEM Part No.
HB16250	1991-94	COE 372	Main Unit (BERGSTROM)	205853
HB10850	1988-2002	COE 362	with RED DOT A/C (Double Shaft)	RD5-5049-0

310, 357, 359-SERIES

Table 13-307: Peterbilt Application - Blower Motors - 310, 357, 359-Series

TRP® Part No.	Year	Model	Description	OEM Part No.
HB10700	1979-86	310, 357 Series	with RED DOT A/C	RD5-5121-0
HA11550	1977-86	359 Conventional	A/C & BUNK	RD5-4927-0

357, 375, 376, 377, 378, 379- SERIES

Table 13-308: Peterbilt Application - Blower Motors - 357, 375, 376, 377, 378, 379- Series

TRP® Part No.	Year	Model	Description	OEM Part No.
HA10700	1987-93	357, 375, 376, 377, 378, 379 Conventional	Main Unit (RED DOT)	73R0422
HA18250	1994-2000	357, 377, 378, 379, 385 Conventional	MAIN & Sleeper Unit - Motor & Pad (SIGNET)	P93CAA0300-01S

387-SERIES

Table 13-309: Peterbilt Application - Blower Motors - 387-Series

TRP® Part No.	Year	Model	Description	OEM Part No.
HB17500	2000-2007	387	Main Unit (BERGSTROM)	203364

SLEEPER UNITS

Table 13-310: Peterbilt Application - Blower Motors - Sleeper Units

TRP® Part No.	Year	Model	Description	OEM Part No.
HA11250	1973-81	COE	BUNK Motor (KYSOR)	275140
HA11550	1982-86	COE 362	Sleeper Unit (RED DOT)	RD5-4927-0

TRP® Part No.	Year	Model	Description	OEM Part No.
HA10600	1987-93	357, 359, 362, 375, 376, 377, 378, 379, 385	Sleeper Unit (RED DOT R-4130)	RD5-6526-1
HA18250	1994-2001	357, 377, 378, 379, 385 Conventional	MAIN & Sleeper Unit - Motor & Pad (SIGNET)	P93CAA0300-01S
HA23750	2000-2007	387	Sleeper Unit - (BERGSTROM)	203363

BLOWER WHEELS

13-210 MID-RANGER

Table 13-311: Peterbilt Application - Blower Wheels - 13-210 Mid-Ranger

TRP® Part No.	Year	Model	Description	OEM Part No.
HC13500	1986-93	13-210 Mid-Ranger	with RED DOT A/C	RD5-5656-0

WITH KYSOR UNITS

Table 13-312: Peterbilt Application - Blower Wheels - with KYSOR Units

TRP® Part No.	Year	Model	Description	OEM Part No.
HC11850	1970-80	COE	with KYSOR Unit (CCW)	260571
HF15300	1978-86	Conventional	with KYSOR Unit	260640

310, 320-SERIES

Table 13-313: Peterbilt Application - Blower Wheels - 310, 320 Series

TRP® Part No.	Year	Model	Description	OEM Part No.
HC12800	1986-93	310 Series	Main Unit (RED DOT)	RD3106-15
HC10500	1987-2007	320	Main Unit	589540

362, 372-SERIES

Table 13-314: Peterbilt Application - Blower Wheels

TRP® Part No.	Year	Model	Description	OEM Part No.
HC10500	1991-94	COE 372	Main Unit (BERGSTROM)	589540
HC13000	1988-2002	COE 362	with RED DOT A/C	RD3-2557-0

357, 375, 377, 378, 379, 385-SERIES

Table 13-315: Peterbilt Application - Blower Wheels - 357, 375, 377, 378, 379, 385-Series

TRP® Part No.	Year	Model	Description	OEM Part No.
HC12800	1986-93	310, 357, 375, 377, 378, 379, 385	Main Unit (RED DOT)	RD3106-15
HC16250	1994-2002	357, 377, 378, 379, 385 Conventional	Main Unit & Sleeper Unit (SIGNET)	P93Cab0400-01S

387

Table 13-316: Peterbilt Application - Blower Wheels - 387

TRP® Part No.	Year	Model	Description	OEM Part No.
HC10050	2000-2007	387	Main Unit (BERGSTROM)	563500

SLEEPER UNITS

Table 13-317: Peterbilt Application - Blower Wheels - Sleeper Units

TRP® Part No.	Year	Model	Description	OEM Part No.
HC13250	1987-93	357, 362, 375, 376, 377, 378, 379	Sleeper Unit (RED DOT R-4130)	RD5-5601-0
HC16250	1994-2002	357, 377, 378, 379, 385 Conventional	Main Unit & Sleeper Unit (SIGNET)	P93Cab0400-01S
HC10050	2000-2007	387	Sleeper Unit (BERGSTROM)	563500

CONDENSERS

13-210 MID-RANGER

Table 13-318: Peterbilt Application - Condensers - 13-210 Mid-Ranger

TRP® Part No.	Year	Model	Description	OEM Part No.
PA11900	1987-93	13-210 Mid-Ranger	with RED DOT A/C	RD4-4161-0

359-SERIES

Table 13-319: Peterbilt Application - Condensers - 359-Series

TRP® Part No.	Year	Model	Description	OEM Part No.
PA12000	1978-86	359 Conventional	GRILLDENSER (Excludes: HOOD Mounted)	18-02074

CONVENTIONAL SERIES

Table 13-320: Peterbilt Application - Condensers - 359-Series

TRP® Part No.	Year	Model	Description	OEM Part No.
PB10250	1974-86	Conventional	with RED DOT IND. Radiator Mount (Tube-FIN) (Radiator Mounted)	RD4-3724-0

COE SERIES

Table 13-321: Peterbilt Application - Condensers - COE-Series

TRP® Part No.	Year	Model	Description	OEM Part No.
PA10300	1976-86	COE	with KC100 ROOFTOP Unit (20" x 36" x 2-1/4")	401030

EVAPORATOR CORES

13-210 MID-RANGER

Table 13-322: Peterbilt Application - Evaporator Cores - 13-210 Mid-Ranger

TRP® Part No.	Year	Model	Description	OEM Part No.
NA11450	1987-93	13-210 Mid-Ranger	Main Unit (RED DOT)	RD2-1510-0

282, 352-SERIES

Table 13-323: Peterbilt Application - Evaporator Cores - 282, 352-Series

TRP® Part No.	Year	Model	Description	OEM Part No.
NA10750	1978-80	282 & 352 COE	Main Unit (KYSOR)	400088

310, 320-SERIES

Table 13-324: Peterbilt Application - Evaporator Cores - 310, 320-Series

TRP® Part No.	Year	Model	Description	OEM Part No.
NC10000	1987-93	310	Main Unit	RD2-1485-0
NC10100	1987-96	320	Main Unit - Low Cab Forward (BERGSTROM)	150101
NA12950	1997-2007	320	Main Unit (BERGSTROM)	108291

359-SERIES

Table 13-325: Peterbilt Application - Evaporator Cores - 359-Series

TRP® Part No.	Year	Model	Description	OEM Part No.
NA10150	1977-86	359 Conventional	Main Unit (KYSOR)	400049

362, 372-SERIES

Table 13-326: Peterbilt Application - Evaporator Cores - 362, 372-Series

TRP® Part No.	Year	Model	Description	OEM Part No.
NA10500	1991-94	COE 372	Main Unit (BERGSTROM)	151290
NB10050	1988-2002	COE 362	Main Unit	RD2-1610-0

357, 375, 376, 377, 378, 379, 385- SERIES

Table 13-327: Peterbilt Application - Evaporator Cores - 357, 375, 376, 377, 378, 379, 385- Series

TRP® Part No.	Year	Model	Description	OEM Part No.
NC10000	1987-93	357, 375, 376, 377, 378, 379	Main Unit	RD2-1485-0

SLEEPER UNITS**PETERBILT APPLICATION - EXPANSION VALVES - SLEEPER UNITS**

TRP® Part No.	Year	Model	Description	OEM Part No.
EA10650	1987-93	357, 362, 375, 377, 379 Conventional	Sleeper Unit (RED DOT R4130)	RD5-6868-0

HEATER CORES

COE SERIES (PRE-1980)

Table 13-328: Peterbilt Application - Heater Cores - COE Series (Pre-1980)

TRP® Part No.	Year	Model	Description	OEM Part No.
MC10100	1971-80	COE	Sleeper Unit	107800

310, 320-SERIES

Table 13-329: Peterbilt Application - Heater Cores - 310, 320-Series

TRP® Part No.	Year	Model	Description	OEM Part No.
MC11650	1987-96	320	Main Unit - RIGHT HAND DRIVE (BERGSTROM)	108206
MC11200	1987-96	320	Main Unit - Low Cab Forward (BERGSTROM)	108204
MC11300	1987-2000	320	Main Unit - Dual STEER Heater Only (BERGSTROM)	108201
MC13650	1997-2007	320	Main Unit (BERGSTROM)	108306

359-SERIES

Table 13-330: Peterbilt Application - Heater Cores - 359-Series

TRP® Part No.	Year	Model	Description	OEM Part No.
MC10200	1977-86	359 Conventional	Main Unit (KYSOR)	280244
MC10600	1987-93	Conventional & COE	Sleeper Unit	RD1-0574-0

362, 372-SERIES

Table 13-331: Peterbilt Application - Heater Cores - 362, 372-Series

TRP® Part No.	Year	Model	Description	OEM Part No.
MC10850	1991-94	COE 372	Main Unit (BERGSTROM)	110650
MC11000	1988-2000	362 COE	Main Unit (RED DOT)	RD1-0715-0

357, 375, 377, 378, 379-SERIES

Table 13-332: Peterbilt Application - Heater Cores - 357, 375, 377, 378, 379-Series

TRP® Part No.	Year	Model	Description	OEM Part No.
MC10250	1987-93	357, 375, 377, 378, 379 Conventional	Main Unit	RD1-0650-0

SLEEPER UNITS

Table 13-333: Peterbilt Application - Heater Cores - Sleeper Units - Sleeper Units

TRP® Part No.	Year	Model	Description	OEM Part No.
MC10450	1976-86	All	Sleeper Unit (KYSOR)	280237
MC10600	1987-93	Conventional & COE	Sleeper Unit	RD1-0574-0

PRESSURE SWITCHES

357, 375, 377, 378, 379-SERIES

Table 13-334: Peterbilt Application - Pressure Switches - 357, 375, 377, 378, 379-Series

TRP® Part No.	Year	Model	Description	OEM Part No.
BB10050	1988-96	357, 375, 377, 378, 379 Conventional	Low Pressure Switch (Normally Open)	18-03285
BB10000	1988-97	362, 372, 375, 376, 377, 378, 379	Low Pressure Switch with Male THREADS O-Rings (R-134a)	71R6050, 404097

RECEIVER DRIERS/ ACCUMULATORS

13-210 MID-RANGER

Table 13-335: Peterbilt Application - Receiver Driers Accumulators - 13-210 Mid-Ranger

TRP® Part No.	Year	Model	Description	OEM Part No.
JA11300	1987-93	13-210 Mid-Ranger	with KYSOR A/C	RD4160-2
JA10900	1987-93	13-210 Mid-Ranger	with RED DOT A/C	402879, RD5-5571-0

282, 352-SERIES

Table 13-336: Peterbilt Application - Receiver Driers Accumulators - 282, 352-Series

TRP® Part No.	Year	Model	Description	OEM Part No.
JA10850	1977-80	282, 352 COE	O-Ring Type with Female Switch Port and Side Sight Glass	18-01800

362-SERIES

Table 13-337: Peterbilt Application - Receiver Driers Accumulators - 362-Series

TRP® Part No.	Year	Model	Description	OEM Part No.
JA13000	1981-87	362	Main Unit (RED DOT)	18-02346
JA10850	1988-2002	362, 372, COE	O-Ring Type with Female Side Mount Switch Port and top Sight	18-01800

387-SERIES

Table 13-338: Peterbilt Application - Receiver Driers Accumulators - 387-Series

TRP® Part No.	Year	Model	Description	OEM Part No.
JA22250	2000-2006	387	with MANIFOLD CONNECTION (Aftermarket)	F37-6000C

ALL CONVENTIONAL & COE (1988 & NEWER)

Table 13-339: Peterbilt Application - Receiver Dryers Accumulators - All Conventional & COE (1988 & Newer)

TRP® Part No.	Year	Model	Description	OEM Part No.
JA10850	1987-93	357, 377, 378, 379, 385 Conventional	O-Ring Type with Female Switch Port AND Side Sight Glass	18-01800
JA13000	1988-93	Conventional & COE	O-Ring Type without Sight Glass	18-02346
JC10800	1994-1999	357, 377, 378, 379, 385 Conventional	Main Unit with ACCUMULATOR (SIGNET)	18-03837

RELAYS

320-SERIES

Table 13-340: Peterbilt Application - Relays

TRP® Part No.	Year	Model	Description	OEM Part No.
CB10050	1997-2007	320	Main Unit Relay	652420

RESISTORS

372-SERIES

Table 13-341: Peterbilt Application - Resistors

TRP® Part No.	Year	Model	Description	OEM Part No.
CA10350	1991-94	COE 372	Main Unit (BERGSTROM)	650179

387-SERIES

Table 13-342: Peterbilt Application - Resistors - 387-Series

TRP® Part No.	Year	Model	Description	OEM Part No.
CA10350	2000-2007	387	MAIN & Sleeper Unit Blower Resistor (BERGSTROM)	650179

CONVENTIONAL & COE SERIES

Table 13-343: Peterbilt Application - Resistors - Conventional & COE Series

TRP® Part No.	Year	Model	Description	OEM Part No.
CA10000	1987-93	All Conventional & COE	Blower Resistor	RD5-3647-0

SWITCHES

ALL WITH KYSOR A/C

Table 13-344: Peterbilt Application - Switches - All with Kysor A/C

TRP® Part No.	Year	Model	Description	OEM Part No.
BA13050	1973-86	COE with KYSOR A/C	BUNK Switch (3-PRONG)	220417
BE10000	1977-86	Conventional with KYSOR A/C	Fan Switch	221030
BA10400	1977-86	Conventional with KYSOR A/C	ROCKER Switch	220891
BA11800	1977-86	Conventional with KYSOR A/C	ON-OFF Switch	221181

357, 375, 377, 378, 379, 385-SERIES

Table 13-345: Peterbilt Application - Switches - 357, 375, 377, 378, 379, 385-Series

TRP® Part No.	Year	Model	Description	OEM Part No.
BA12050	1987-93	357, 375, 377, 378, 379 Conventional	Blower Switch	RD5-4694-1
BA10800	1987-93	357, 375, 377, 378, 379 Conventional	MicroSwitch	RD5-5308-0

THERMOSTATIC SWITCHES

282, 352-SERIES

Table 13-346: Peterbilt Application - Thermostatic Switches - 282, 352-Series

TRP® Part No.	Year	Model	Description	OEM Part No.
BD10400	1973-86	282, 352, COE	BUNK THERMOSTAT	220497

310, 320-SERIES

Table 13-347: Peterbilt Application - Thermostatic Switches - 310, 320-Series

TRP® Part No.	Year	Model	Description	OEM Part No.
BD10750	1979-86	310 Series	Preset Type	RD4427-24
BD10750	1987-2007	320	Preset Type	589490

352-SERIES

Table 13-348: Peterbilt Application - Thermostatic Switches - 352-Series

TRP® Part No.	Year	Model	Description	OEM Part No.
BD11050	1981-86	352 COE	with KYSOR or EVANS A/C (Preset Type)	RD5-4531-24

WATER VALVES

320-SERIES

Table 13-349: Peterbilt Application - Water Valves - 320-Series

TRP® Part No.	Year	Model	Description	OEM Part No.
MA10400	1987-96	320	Main Unit - Dual STEER Heater Only (BERGSTROM)	866860
MA11100	1987-96	320	Main Unit (BERGSTROM)	867405

372-SERIES

Table 13-350: Peterbilt Application - Water Valves - 372-Series

TRP® Part No.	Year	Model	Description	OEM Part No.
MA10400	1991-94	COE 372	Main Unit (BERGSTROM)	866860

357, 375, 377, 378, 379-SERIES

Table 13-351: Peterbilt Application - Water Valves - 357, 375, 377, 378, 379-Series

TRP® Part No.	Year	Model	Description	OEM Part No.
MA12050	1987-93	357, 375, 377, 378, 379 Conventional	Cable Operated	RD5-5495-0
MA10200	1987-93	357, 375, 377, 378, 379 Conventional	Air Operated	RD5-4800-0

VOLVO HIGH VOLUME PARTS LIST

QUICK REFERENCE SHEET/ INVENTORY ASSISTANCE

BLOWER MOTORS

Table 13-352: Volvo High Volume Parts List - Blower Motors

TRP® Part No.	OEM Part No.
HB16600	3945237
HA18700	3949102
HA18300	1092319
HA23650	3946686
HA21700	3949886, 85103395
HA23850	BOA 94350, BOA D8587, 85104207

BLOWER WHEELS

Table 13-353: Volvo High Volume Parts List - Blower Wheels

TRP® Part No.	OEM Part No.
HC10500	1118417

CONDENSERS

Table 13-354: Volvo High Volume Parts List - Condensers

TRP® Part No.	OEM Part No.
PB13650	8157100
PB12800	8074693
PB12750	8084347, 8084348, 3092918, 20461065, 20956587

EXPANSION VALVES

Table 13-355: Peterbilt High Volume Parts List - Expansion Valves

TRP® Part No.	OEM Part No.
EA10650	3916657
EA14150	3946673
EA14200	3949881

RECEIVER DRIERS

Table 13-356: Volvo High Volume Parts List - Receiver Driers

TRP® Part No.	OEM Part No.
JA12800	3934718, PH 088348-00, 20407203, 088492-00
JA20800	8078261, PH 088366-00, 20407205, 088491-00
JA20500	8086753, PH 088409-00, 20443719, 088485-00

SWITCHES

Table 13-357: Volvo High Volume Parts List - Switches

TRP® Part No.	OEM Part No.
CA10350	3134241

THERMOSTATS

Table 13-358: Volvo High Volume Parts List - Thermostats

TRP® Part No.	OEM Part No.
BD13350	1118416
BD14300	3915962

WATER VALVES

Table 13-359: Volvo High Volume Parts List - Water Valves

TRP® Part No.	OEM Part No.
MA11100	1118413
MA13650	1118414

VOLVO APPLICATION

BLOWER MOTORS

FE-SERIES

Table 13-360: Volvo Application - Blower Motors - FE-Series

TRP® Part No.	Year	Model	Description	OEM Part No.
HA17100	1983-93	FE Series	Main Unit with KYSOR CLASSIX Unit	275102

N-SERIES

Table 13-361: Volvo Application - Blower Motors - N-Series

TRP® Part No.	Year	Model	Description	OEM Part No.
HA10600	1984-93	N Series	with RED DOT	RD5-3753-1

AUTOCAR & W-SERIES

Table 13-362: Volvo Application - Blower Motors - Autocar & W-Series

TRP® Part No.	Year	Model	Description	OEM Part No.
HA18300	1984-87	WHL, WHS, WIL, WX, AUTOCAR	Main Unit	1092319
HA18300	1986-89	WCS, WCL	Main Unit	1092319
HA18300	1987-92	WHL, WHE	Main Unit	1092319
HB16600	1988-96	WI, WC	Main Unit (BERGSTROM)	3945237
HB16600	1988-2007	ACL, WG, WH, WX, WIA, WCA, WXLL	Main Unit (BERGSTROM)	3945237
HB16600	1994-2007	WXR	Main Unit (BERGSTROM)	3945237
HB16600	1988-2007	WXLL Dual	Main Unit (BERGSTROM)	3945237
HA18300	1988-2006	WX (RH STEER)	Main Unit (BERGSTROM)	1092319
HB16600	1999-2007	WG, WX, ACL	Main Unit (BERGSTROM)	3945237

VN-SERIES

Table 13-363: Volvo Application - Blower Motors - VN-Series

TRP® Part No.	Year	Model	Description	OEM Part No.
HA23650	1996-2006	VN, VNM, VNL	Main Unit Assembly (BEHR)	BOA-80-415-00-769, 3946686

VHD-SERIES

Table 13-364: Volvo Application - Blower Motors - VHD Series

TRP® Part No.	Year	Model	Description	OEM Part No.
HA23650	2000-2006	VHD	Main Unit Assembly (BEHR)	BOA-80-415-00-769, 3946686

SLEEPER UNITS

Table 13-365: Volvo Application - Blower Motors - Sleeper Units

TRP® Part No.	Year	Model	Description	OEM Part No.
HA1820	1996-98	VN Series 420, 610	Sleeper Unit (BERGSTROM)	3947416
HA1870	1996-1998	VN Series 420, 610, 770	Sleeper Unit Assembly (BEHR)	3949102, BOA 85-440-51-009
HA2170	1997-2001	VN Series 420, 610, 770	Sleeper Unit Assembly (BEHR)	3949886, 85103395, BOA 85-462-50-009
HA2385	2002-2006	VN Series 420, 610, 770	Sleeper Unit Assembly (BEHR)	BOA 94350, BOA D8587, 85104207

BLOWER WHEELS

FE-SERIES

Table 13-366: Volvo Application - Blower Wheels - FE-Series

TRP® Part No.	Year	Model	Description	OEM Part No.
HA18700	1996-1998	VN Series 420, 610, 770	Sleeper Unit Assembly (BEHR)	3949102, BOA 85-440-51-009
HA21700	1997-2001	VN Series 420, 610, 770	Sleeper Unit Assembly (BEHR)	3949886, 85103395, BOA 85-462-50-009
HA23850	2002-2006	VN Series 420, 610, 770	Sleeper Unit Assembly (BEHR)	BOA 94350, BOA D8587, 85104207
HC13500	1983-91	FE Series	with KYSOR Unit	260680

N-SERIES

Table 13-367: Volvo Application - Blower Wheels - N-Series

TRP® Part No.	Year	Model	Description	OEM Part No.
HC13000	1984-91	N Series	with RED DOT Backwall	RD3-2557-0

AUTOCAR & W-SERIES

Table 13-368: Volvo Application - Blower Wheels - Autocar & W-Series

TRP® Part No.	Year	Model	Description	OEM Part No.
HC10500	1988-96	WI, WC	Main Unit (BERGSTROM)	1118417
HC10500	1988-2005	ACL, WG, WH, WX, WIA, WCA, WXLL	Main Unit (BERGSTROM)	1118417
HC10500	1994-2005	WXR	Main Unit (BERGSTROM)	1118417
HC10500	1988-2007	WXLL Dual	Main Unit (BERGSTROM)	1118417
HC10500	1999-2005	WG, WX, ACL	Main Unit (BERGSTROM)	1118417

VN-SERIES

Table 13-369: Volvo Application - Blower Wheels - VN-Series

TRP® Part No.	Year	Model	Description	OEM Part No.
HC13950	1996-98	VN Series 420, 610	Sleeper Unit	3947421

CONDENSERS

ALL

Table 13-370: Volvo Application - Condensers - All

TRP® Part No.	Year	Model	Description	OEM Part No.
PB13650	1999-2001	All with OEM No.	R-134A	8157100

WFL-SERIES

Table 13-371: Volvo Application - Condensers - WFL-Series

TRP® Part No.	Year	Model	Description	OEM Part No.
PB10550	1975-85	WFL Models	SERPENTINE Type 15" x 27" (O-Ring Type)	3918297

VOLVO, WHITE, GMC

Table 13-372: Volvo Application - Condensers - Volvo, White, GMC

TRP® Part No.	Year	Model	Description	OEM Part No.
PB14300	1992-94	All with OEM No.	with R12 System (38" x 8")	61203-3203

RBII, RCII, RXII-SERIES

Table 13-373: Volvo Application - Condensers - RBII, RCII, RXII-Series

TRP® Part No.	Year	Model	Description	OEM Part No.
PB10300	1976-86	RBII, RCII, RXII	Tube-Fin Type (15-1/2" x 29")	61203-0002

VN-SERIES

Table 13-374: Volvo Application - Condensers - VN Series

TRP® Part No.	Year	Model	Description	OEM Part No.
PB12750	1996-2007	VN, VNL, VNM	R-134A	8084347, 8084348, 3092918, 20461065, 20956587
PB12800	1996-2002	VN	R-134A	8074693

VHD-SERIES

Table 13-375: Volvo Application - Condensers - VHD-Series

TRP® Part No.	Year	Model	Description	OEM Part No.
PB12750	2001-2007	VHD Series	R-134A	8084347, 8084348, 3092918, 20461065, 20956587
PB12800	2001-2002	VHD Series	R-134A	8074693

VT-SERIES

Table 13-376: Volvo Application - Condensers - VT-Series

TRP® Part No.	Year	Model	Description	OEM Part No.
PB12750	2006-2008	VT	R-134A	20956587

EVAPORATOR CORES

N-SERIES

Table 13-377: Volvo Application - Evaporator Cores - N-Series

TRP® Part No.	Year	Model	Description	OEM Part No.
NA12300	1984-93	N Series	Backwall Unit (RED DOT)	RD2-1316-0

AUTOCAR & W-SERIES

Table 13-378: Volvo Application - Evaporator Cores - Autocar & W-Series

TRP® Part No.	Year	Model	Description	OEM Part No.
NA13050	1988-96	WI, WC	Main Unit (BERGSTROM)	3916676
NA13050	1988-2005	ACL, WG, WH, WX, WIA, WCA	Main Unit (BERGSTROM)	3916676
NA13050	1999-2007	WG, WX, ACL	Main Unit (BERGSTROM)	3916676

SLEEPER UNITS

Table 13-379: Volvo Application - Evaporator Cores - Sleeper Units

TRP® Part No.	Year	Model	Description	OEM Part No.
NA13000	1996-98	VN Series 420, 610	Sleeper Unit (BERGSTROM)	3947415

EXPANSION VALVES

FE-SERIES

Table 13-380: Volvo Application - Expansion Valves - FE-Series

TRP® Part No.	Year	Model	Description	OEM Part No.
EA10650	1983-93	FE Series	with KYSOR CLASSIX	404255

N-SERIES

Table 13-381: Volvo Application - Expansion Valves - N-Series

TRP® Part No.	Year	Model	Description	OEM Part No.
EA10650	1984-93	N Series	Backwall Unit with RED DOT A/C	3916657

RB, RC, RX-SERIES

Table 13-382: Volvo Application - Expansion Valves - RB, RC, RX-Series

TRP® Part No.	Year	Model	Description	OEM Part No.
EA10050	1976-85	RBII, RCII, RXII	Excludes: with BLOCK Valve	60012-0011

AUTOCAR & W-SERIES

Table 13-383: Volvo Application - Expansion Valves - Autocar & W-Series

TRP® Part No.	Year	Model	Description	OEM Part No.
EA10650	1981-83	WHL	Main Unit	RD5-6868-0
EA10650	1984-87	WHL, WHS, WIL, WX, AUTOCAR	Main Unit	RD5-6868-0
EA10650	1986-89	WCS, WCL	Main Unit	RD5-6868-0
EA14150	2000-2002	VHD	Main Unit	BOA-80-321-00-209, 3946673

VN-SERIES

Table 13-384: Volvo Application - Expansion Valves - VN-Series

TRP® Part No.	Year	Model	Description	OEM Part No.
EA10650	1987-92	WIM, WHL, WHE	Main Unit	RD5-6868-0
EA10650	1988-96	WC, WI	Main Unit (BERGSTROM)	3916657
EA10650	1988-2005	ACL, WG, WH, WX, WIA, WCA	Main Unit (BERGSTROM)	3916657
EA13900	1990-93	VOLVO WHITE with BUNK Unit	1-1/2 Ton Valve	60058-5002
EA10650	1994-2005	WXR	Main Unit (BERGSTROM)	3916657

TRP® Part No.	Year	Model	Description	OEM Part No.
EA10650	1988-2007	WXLL Dual	Main Unit (BERGSTROM)	3916657
EA10650	1999-2007	WG, WX, ACL	Main Unit (BERGSTROM)	3916657
EA14150	1998-2002	VN, VNM, VNL	Main Unit (BEHR)	BOA-80-321-00-209, 3946673

VHD-SERIES

Table 13-385: Volvo Application - Expansion Valves - VHD-Series

TRP® Part No.	Year	Model	Description	OEM Part No.
EA14150	2000-2002	VHD	Main Unit	BOA-80-321-00-209, 3946673

SLEEPER UNITS

Table 13-386: Volvo Application - Expansion Valves - Sleeper Units

TRP® Part No.	Year	Model	Description	OEM Part No.
EA10650	1996-98	VN Series 420, 610	Sleeper Unit (BERGSTROM)	3916657
EA10800	1997-99	VN, VNM, VNL	Sleeper Unit (BEHR)	BOA-80-321-00-079
EA14200	2000-2002	VN, VNM, VNL	Sleeper Unit (BEHR)	BOA-80-321-00-249, 3949881

HEATER CORES

AUTOCAR & W-SERIES

Table 13-387: Volvo Application - Heater Cores - Autocar & W-Series

TRP® Part No.	Year	Model	Description	OEM Part No.
MC13750	1988-96	WC, WI	Main Unit (BERGSTROM)	1118387
MC13750	1988-2005	ACL, WG, WH, WX, WIA, WCA, WXLL	Main Unit (BERGSTROM)	1118387

TRP® Part No.	Year	Model	Description	OEM Part No.
MC13750	1999-2007	WG, WX, ACL	Main Unit (BERGSTROM)	1118387
MC13750	1988-2007	WXLL Dual (Heater Only)	Main Unit (BERGSTROM)	1118387

PRESSURE SWITCHES

FE-SERIES

Table 13-388: Volvo Application - Pressure Switches - FE-Series

TRP® Part No.	Year	Model	Description	OEM Part No.
BB10750	1983-93	FE Series with KYSOR CLASS SIX	High Pressure	404141

CONVENTIONAL & COE SERIES

Table 13-389: Volvo Application - Pressure Switches - Conventional & COE Series

TRP® Part No.	Year	Model	Description	OEM Part No.
BB11050	1983-93	FE Series with KYSOR CLASS SIX	Low Pressure	V1113563, 404143
BA12400	1984-93	VOLVO WHITE Conventional, COE, WHITE GMC	Trinary Switch (Female THREAD)	61522-0006

RECEIVER DRIERS/ ACCUMULATORS

RB, RC, RX-SERIES

Table 13-390: Volvo Application - Receiver Driers/ Accumulators - RB, RC, RX-Series

TRP® Part No.	Year	Model	Description	OEM Part No.
JA12700	1984-92	RB, RC, RX	O-Ring Type with GAUGE Port and HPRV	61510-0006

YF-SERIES

Table 13-391: Volvo Application - Receiver Driers/ Accumulators - YF-Series

TRP® Part No.	Year	Model	Description	OEM Part No.
JA20250	1987-93	VOLVO, WHITE, YF Conventional	O-Ring Type with KYSOR A/C	61510-0007

AUTOCAR & W-SERIES

Table 13-392: Volvo Application - Receiver Driers/ Accumulators - Autocar & W-Series

TRP® Part No.	Year	Model	Description	OEM Part No.
JA10700	1988-93	WHITE GMC AUOCAR ACL, ACM Series	O-Ring Type with Female Top Mount Switch Port	61510-5005
JA12750	1988-93	ACL, WG, WH, WX, WIA, WCA, WX Dual	O-Ring Type with Switch Port and HPRV	61610-0008

VN-SERIES

Table 13-393: Volvo Application - Receiver Driers/ Accumulators - VN-Series

TRP® Part No.	Year	Model	Description	OEM Part No.
JA20800	1996-97	VN Series 420, 610, 770	O-Ring Type with 90° INLET & OUTLET	8078261, 20407205

TRP® Part No.	Year	Model	Description	OEM Part No.
JA20500	1998-2007	VN Series 420, 610, 770, VNL, VNM	O-Ring Type without 90° INLET & OUTLET	8086753, 20447319

VHD-SERIES

Table 13-394: Volvo Application - Receiver Driers/ Accumulators - VHD-Series

TRP® Part No.	Year	Model	Description	OEM Part No.
JA20500	2000-2007	VHD	O-Ring Type without 90° INLET & OUTLET	8086753, 20447319

VT-SERIES

Table 13-395: Volvo Application - Receiver Driers/ Accumulators - VT-Series

TRP® Part No.	Year	Model	Description	OEM Part No.
JA20500	2006-2008	VT	O-Ring Type without 90° INLET & OUTLET	8086753, 20447319

RELAYS

FE-SERIES

Table 13-396: Volvo Application - Relays

TRP® Part No.	Year	Model	Description	OEM Part No.
CB10050	1988-93	FE Series with KYSOR CLASS SIX	Relay	3918212, 221568

VN-SERIES

Table 13-397: Volvo Application - Relays - VN Series

TRP® Part No.	Year	Model	Description	OEM Part No.
CB10800	1996-2000	VN Series 420, 610, 770	Main Unit	BOA-80-945-00-079

RESISTORS

AUTOCAR & W-SERIES

Table 13-398: Volvo Application - Resistors - Autocar & W-Series

TRP® Part No.	Year	Model	Description	OEM Part No.
CA10000	1982-83	WHL	Main Unit	V1697520
CA10350	1988-96	WI, WC	Blower Resistor (3 Speed)	3134241
CA10350	1988-2007	ACL, WG, WH, WX, WIA, WCA, WX Dual, WXR, WXLL	Blower Resistor (3 Speed)	3134241
CA10350	1999-2007	WG, WX, WXR, WXLL, ACL	Blower Resistor (3 Speed)	3134241

AUTOCAR & W-SERIES

Table 13-399: Volvo Application - Resistors - Autocar & W-Series

TRP® Part No.	Year	Model	Description	OEM Part No.
DA11600	1988-98	WIA	Resistor	BOA-90-926-09-409
CA10350	1996-98	VN Series 420, 610, 770	Sleeper Units (BERGSTROM)	3134241

SWITCHES

Table 13-400: Volvo Application - Switches

TRP® Part No.	Year	Model	Description	OEM Part No.
BA12400	1984-98	All with OEM No.	Blower Switch	60018-0002
BA12400	1984-93	VOLVO WHITE Conventional, COE, WHITE GMC	Blower Switch	60018-0002
BA11800	All	COE & Conventional	Switch, ON-OFF	60015-5015
BA10600	All	with OEM No.	Switch, ROCKER	V1118424

THERMOSTATIC SWITCHES

FE-SERIES

Table 13-401: Volvo Application - Thermostatic Switches - FE-Series

TRP® Part No.	Year	Model	Description	OEM Part No.
BD11050	1983-88	FE-Series	Preset Type	404145

VOLVO, WHITE, GMC

Table 13-402: Volvo Application - Thermostatic Switches - Volvo, White, GMC

TRP® Part No.	Year	Model	Description	OEM Part No.
BD14700	1984-92	VOLVO WHITE, WHITE GMC	with EATON Type	60054-0001, 60054-5004

AUTOCAR & W-SERIES

Table 13-403: Volvo Application - Thermostatic Switches - Autocar & W-Series

TRP® Part No.	Year	Model	Description	OEM Part No.
BD13400	1988-93	ACL, WG, WH, WX, WIA, WCA	Preset Type	1118408, 1110162
BD13350	1988-96	WI, WC	VARIABLE Type	1118416
BD13400	1994-96	WG, AC (24V)	Preset Type	1118408, 1110162
BD14300	1994- 2007	ACL, WG, WH, WX, WIA, WCA, WXR	Preset Type	3915962
BD13350	1988- 2007	WXLL Dual	VARIABLE Type	1118416
BD14300	1999- 2007	WG, WX, WXR, ACL	Preset Type	3915962

WATER VALVES

AUTOCAR & W-SERIES

Table 13-404: Volvo Application - Water Valves - Autocar & W-Series

TRP® Part No.	Year	Model	Description	OEM Part No.
MA11100	1988-93	ACL, WG, WH, WX, WIA, WCA	Cable Operated (BERGSTROM)	1118413
MA13650	1988-96	WI, WC	Cable Operated (BERGSTROM)	1118414
MA13650	1994-2005	ACL, WG, WH, WX, WIA, WCA, WXR	Cable Operated (BERGSTROM)	1118414
MA11100	1994-2005	ACL, WG, WH, WIA, WCA	Cable Operated (BERGSTROM) Heater Only	1118413
MA13650	1988-2007	WXLL Dual	Cable Operated (BERGSTROM)	1118414
MA13650	1999-2007	WG, WX, WXR, ACL	Cable Operated (BERGSTROM)	1118414

WESTERN STAR APPLICATION

BLOWER MOTORS

HERITAGE SERIES

Table 13-405: Western Star Application - Blower Motors - Heritage Series

TRP® Part No.	Year	Model	Description	OEM Part No.
HA10700	1983-85	3800, 4800, 4900, 5900, 6900 HERITAGE	Sleeper Unit (R-4070)	RD5-6526-0, 60009-5003, -5009
HA10700	1985-99	3800, 4800, 4900, 5900, 6900 HERITAGE	Sleeper Unit (R-4070)	RD5-6526-0, 60009-5003, -5009
HA10600	1985-2002	HERITAGE	Sleeper Unit (R-4170)	RD5-6526-1, 60009-5003

BLOWER WHEELS

HERITAGE SERIES

Table 13-406: Western Star Application - Blower Wheels - Heritage Series

TRP® Part No.	Year	Model	Description	OEM Part No.
HC14000	1983-99	3800, 4800, 4900, 5900, 6900 HERITAGE	Sleeper Unit	RD5-8618-0, 60010-5001
HC13450	1988-99	3800, 4800, 4900, 5900, 6900 HERITAGE	Main Unit	RD5-5263-0, 60010-4401

CONSTELLATION SERIES

Table 13-407: Western Star Application - Blower Wheels - Constellation Series

TRP® Part No.	Year	Model	Description	OEM Part No.
HC13250	1996-2000	Constellation	Sleeper Unit (R-4230)	RD5-5601-0, 60012-5001

COMPRESSORS

CCI/ YORK - COMPRESSOR CLUTCH COMBINATION

Table 13-408: Western Star Application - Compressors - CCI/ YORK - Compressor Clutch Combination

TRP® Part No.	Year	Model	OEM Part No.
KA1040		DETROIT Series 60, CAT 3406, Cummins L10 & M11	ET210L-25073C
KA1525		DETROIT Series 60, CAT 3406, Cummins M11	ET210L-25237C
KA1405		DETROIT Series 60 with Pad Mount Bracket	ET210L-25246C

CONDENSERS

ALL

Table 13-409: Western Star Application - Condensers - All

TRP® Part No.	Year	Model	Description	OEM Part No.
PB14350	1985-93	All with OEM No.	Radiator Mount	61203-3403

EVAPORATOR CORES

HERITAGE SERIES

Table 13-410: Western Star Application - Evaporator Cores - Heritage Series

TRP® Part No.	Year	Model	Description	OEM Part No.
NA10400	1983-99	3800, 4800, 4900, 5900, 6900 HERITAGE	Sleeper Unit (R-4070, 4170)	RD2-1402-0, 60004-4403
NA10950	1988-99	3800, 4800, 4900, 5900, 6900 HERITAGE	Main Unit	RD2-1272-0, 60004-4401

EXPANSION VALVES - ORIFICE TUBES

HERITAGE SERIES

Table 13-411: Western Star Application - Expansion Valves - Orifice Tubes - Heritage Series

TRP® Part No.	Year	Model	Description	OEM Part No.
EA10650	1983-99	3800, 4800, 4900, 5900, 6900 HERITAGE	Sleeper Unit (R-4070, 4170)	RD5-6868-1, 60012-5001
EA10650	1988-99	3800, 4800, 4900, 5900, 6900 HERITAGE	Main Unit	RD5-6868-1, 60012-5001

CONSTELLATION SERIES

Table 13-412: Western Star Application - Expansion Valves - Orifice Tubes - Constellation Series

TRP® Part No.	Year	Model	Description	OEM Part No.
EA10750	1993-2002	Constellation	Main Unit	RD5-7015-1

HEATER CORES

HERITAGE SERIES

Table 13-413: Western Star Application - Heater Cores - Heritage Series

TRP® Part No.	Year	Model	Description	OEM Part No.
MC12150	1988-99	3800, 4800, 4900, 5900, 6900 HERITAGE	Main Unit	RD1-0460-1, 60003-4405
MC11750	1985-02	HERITAGE	Sleeper Unit	RD1-0665-0

PRESSURE SWITCHES

HERITAGE SERIES

Table 13-414: Western Star Application - Pressure Switches - Heritage Series

TRP® Part No.	Year	Model	Description	OEM Part No.
BA12400	1985-2006	3800, 4800, 4900, 5900, 6900 Heritage	High Pressure Switch Sleeper Unit	RD5-4625-0
BA12400	1994-2006	3800, 4800, 4900, 5900, 6900 Heritage	High Pressure Switch	RD5-4625-0

CONSTELLATION SERIES

Table 13-415: Western Star Application - Pressure Switches - Constellation Series

TRP® Part No.	Year	Model	Description	OEM Part No.
BA12400	1996-2006	4800, 4900, 5800, 5900 Constellation	Main Unit	RD5-4625-0
BA12400	1996-2006	4800, 4900, 5800, 5900 Constellation	Sleeper Unit (R-4230)	RD5-4625-0

RECEIVER DRIERS

HERITAGE SERIES

Table 13-416: Western Star Application - Receiver Driers - Heritage Series

TRP® Part No.	Year	Model	Description	OEM Part No.
JA18700	1988-93	3800, 4800, 4900, 5900, 6900 Heritage	O-Ring Type with Fuse Plug & CHARGE Port	61506-3402, RD5-7568-0
JA18900	1991-2006	Heritage	O-Ring Type	61506-3404, RD5-7517-0

CONSTELLATION SERIES

Table 13-417: Western Star Application - Receiver Driers - Constellation Series

TRP® Part No.	Year	Model	Description	OEM Part No.
JA22350	1993-2006	Constellation	O-Ring Type	RD5-7517-1, 61506-3406

THERMOSTATIC SWITCHES

HERITAGE SERIES

Table 13-418: Western Star Application - Thermostatic Switches - Heritage Series

TRP® Part No.	Year	Model	Description	OEM Part No.
BD10400	1983-99	3800, 4800, 4900, 5900, 6900 Heritage	Sleeper Unit	RD4430-0, 02-7078047
BD11050	1988-93	3800, 4800, 4900, 5900, 6900 Heritage	Main Unit (Preset)	RD5-4531-24, 60054-4401
BD10400	1994-99	3800, 4800, 4900, 5900, 6900 Heritage	Main Unit (Air operated)	RD4430-0, 02-7078047

CONSTELLATION SERIES

Table 13-419: Western Star Application - Thermostatic Switches - Constellation Series

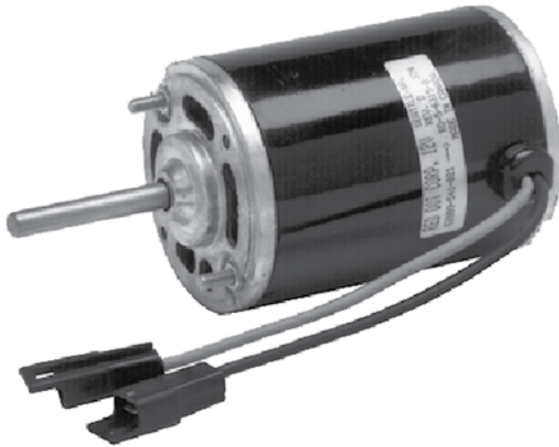
TRP® Part No.	Year	Model	Description	OEM Part No.
BD11050	1996-2006	Constellation	Main Unit (Preset)	RD5-4531-24, 60054-4401



BLOWER MOTORS

BLOWER MOTORS

Blower motor performance typically degrades over time, affecting how quickly and completely a windshield is defrosted. TRP Blower Motors ensure your windshield defrosts quickly and completely. The TRP HVAC program offers a premium and value product offering.



PREMIUM (HA11950)

FEATURES & BENEFITS

- » Long-life bearings, grease and brush material ensures motor lasts two to five times longer than value offering
- » Radio frequency interference protection



VALUE (HA20050)

FEATURES & BENEFITS

- » Meets all OEM fit, power supply and rotation specifications
- » Low-cost replacement option

Scan the code for more information.

Get the free mobile app at <http://gettag.mobi>



BLOWER MOTORS, MOUNTS & WHEELS

MOTOR MATRIX

Table 13-420: HVAC: Blower Motors - Motor Matrix

Application	Model	Year	TRP® Part No.	Rating	Motor Life
Freightliner	FLD120, FLD112, CLASSIC XL & Business Class	1991-2002	HA18700		10,000 hours
Freightliner	M2 106, M2 112 Business Class	2002-2007	HA24050		(2)
Freightliner	Century Class, Columbia, Coronado	2002-2007	HA23850		(2)
International	2000,4000,8000 Series	1992-2001	HA19900		10,000 hours
International	4200, 4300, 4400, 7400, 7500, 7600, 8500, 8600 Series	2001-2007	HA17050		10,000 hours (1) (2)
International	5000, 9000 Series	2000-2007	HA18350		10,000 hours
Kenworth	T300,T600,T800,W900	1986-1994	HB10500		5,000 hours
Kenworth	T300,T600,T800,W900	1995-2007	HB16100	better	10,000 hours
Kenworth	T300,T600,T800,W900	1995-2007	HA13500	best	10,000 hours (1)
Kenworth	All Sleeper Units - Except T2000	1987-1994	HA15200		5,000 hours
Kenworth	All Sleeper Units - Except T2000 (Modular Sleepers)	1995-2007	HA16050		10,000 hours
Kenworth	All Sleeper Units - Except T2000	1999-2007	HA1530	better	10,000 hours
Kenworth	All Sleeper Units - Except T2000	1999-2007	HA14500	best	10,000 hours (1)
Kenworth	T2000	1996-2007	HB17500	good	5,000 hours
Kenworth	T2000	1996-2007	HA1525	best	15,000 hours
Kenworth	T2000 Sleeper Unit	1996-2007	HA23750	good	5,000 hours
Kenworth	T2000 Sleeper Unit	1996-2007	HA12600	best	10,000 hours (1)
Mack	CH, CL, Conventional	1988-2000	HA2340		10,000 hours
Mack	CH, CL, Conventional	2000-2002	HA23400		10,000 hours (1)
Mack	CX (Vision), Granite, Keystone	2000-2007	HA23700		10,000 hours (2)
Peterbilt	357,377,378,379,385 Conventional- Main & Sleeper Aftermarket	1994-2000	HA18250		10,000 hours
Peterbilt	357,377,378,379,385 Conventional- Main & Sleeper Signet	03/98-2001	HA03010		15,000 hours
Peterbilt	357,375,376,377,378,379 Conventional- Main Unit (Red Dot)	1987-1993	HA10700	good	10,000 hours
Peterbilt	357,375,376,377,378,379 Conventional- Sleeper Unit (Red Dot)	1987-1993	HA10600	best	5,000 hours

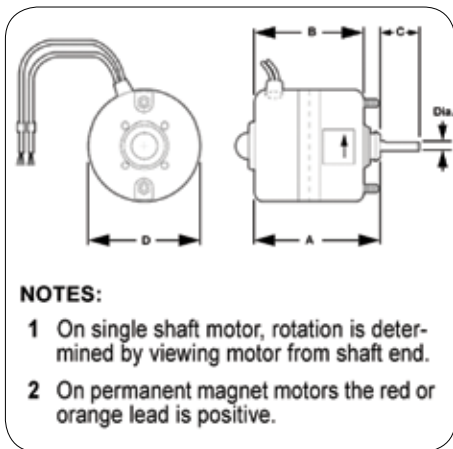
* Note: Hours represent projected motor life specification from motor manufacturer.

1. With Noise (RFI) Protection.
2. With Balanced Motor/ Wheel Assembly.

Application	Model	Year	TRP® Part No.	Rating	Motor Life
Peterbilt	387	1999-2007	HB17500		5,000 hours
Peterbilt	387	1999-2007	HA1525	good	15,000 hours (2)
Peterbilt	387 Sleeper Unit	2000-2007	HA23750	best	5,000 hours
Peterbilt	387 Sleeper Unit	2000-2007	HA12600	good	10,000 hours
Volvo	ACL, WG, WH, WX, WIA, WCA, WXLL	1988-2007	HB16600	best	10,000 hours
Volvo	VN, VHD	1996-2006	HA23650		
Volvo	VN Sleeper Unit	2002-2006	HA23850		(2)

* Note: Hours represent projected motor life specification from motor manufacturer.

1. With Noise (RFI) Protection.
2. With Balanced Motor/ Wheel Assembly.




SINGLE SHAFT BLOWER MOTORS

Blower Wheels
See Page 11-159



Table 13-421: Single Shaft Blower Motors




HA11250

Speed	1	A	4 3/4"
Volt	12	B	4"
Rotation	CW	C	1 5/8"
Mount	Stud	D	3"
Vent	V	Dia.	5/16"



HA11350

Speed	1	A	4 1/2"
Volt	12	B	3 7/8"
Rotation	CW	C	1 3/8"
Mount	Stud	D	3"
Vent	V	Dia.	5/16"




HA11500

Speed	1	A	4 1/4"
Volt	12	B	3 5/8"
Rotation	CCW	C	1 1/8"
Mount	Stud	D	3"
Vent	V	Dia.	5/16"




HA11900

Speed	1	A	4 3/8"
Volt	12	B	3 5/8"
Rotation	CW	C	1 1/2"
Mount	Stud	D	3"
Vent	V	Dia.	5/16"




HA11950

Speed	1	A	4 13/16"
Volt	12	B	4"
Rotation	CCW	C	1 7/8"
Mount	Stud	D	3"
Vent	V	Dia.	5/16"



HA12100

Speed	3	A	5 1/8"
Volt	12	B	4 1/8"
Rotation	CCW	C	7/8"
Mount	Stud	D	3 1/2"
Vent	V	Dia.	3/8"




HA12850

Speed	2	A	5"
Volt	12	B	2 7/8"
Rotation	CCW	C	1 3/8"
Mount	Stud	D	3 1/2"
Vent	V	Dia.	5/16"



HA14150

Speed	2	A	3 11/32"
Volt	24	B	2 17/32"
Rotation	CW	C	1 1/8"
Mount	Strap	D	3"
Vent	NV	Dia.	1/4"



HA14200

Speed	2	A	3 31/32"
Volt	12	B	3 1/8"
Rotation	CW	C	1 3/8"
Mount	Stud	D	3"
Vent	V	Dia.	5/16"



HA15200

Speed	1	A	4 7/32"
Volt	12	B	3 15/32"
Rotation	CCW	C	1 1/32"
Mount	Stud	D	3 1/16"
Vent	V	Dia.	5/16"



HA15750

Speed	2	A	3 11/32"
Volt	12	B	2 17/32"
Rotation	CW	C	1 1/8"
Mount	Stud	D	3"
Vent	NV	Dia.	1/4"



HA15950

Speed	2	A	3 27/32"
Volt	12	B	3"
Rotation	CW	C	1 1/16"
Mount	Stud	D	3"
Vent	V	Dia.	5/16"



HA16000

Speed	2	A	3 11/32"
Volt	12	B	2 17/32"
Rotation	CW	C	1 1/8"
Mount	Stud	D	3"
Vent	NV	Dia.	1/4"



HA16050

Speed	1	A	4 25/32"
Volt	12	B	4 1/32"
Rotation	CW	C	1"
Mount	Stud	D	3 7/32"
Vent	V	Dia.	9/32"



HA16200

Speed	1	A	4 1/2"
Volt	12	B	3 21/32"
Rotation	CCW	C	1 1/4"
Mount	Stud	D	3"
Vent	V	Dia.	9/32"



HA16450

Speed	1	A	4 17/32"
Volt	12	B	3 21/32"
Rotation	CCW	C	1 3/8"
Mount	Stud	D	3"
Vent	V	Dia.	5/16"



HA17150

Speed	2	A	3 5/8"
Volt	12	B	2 3/4"
Rotation	CW	C	5/8"
Mount	Stud	D	3"
Vent	NV	Dia.	1/4"



HA18050

Speed	2	A	4 17/32"
Volt	12	B	3 21/32"
Rotation	CW	C	1 3/8"
Mount	Stud	D	3"
Vent	V	Dia.	5/16"



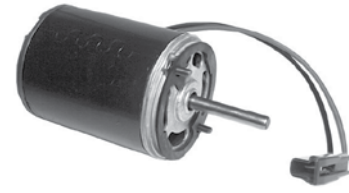
HA18100

Speed	1	A	4 29/64"
Volt	24	B	4"
Rotation	CW	C	1 9/16"
Mount	Strap	D	3"
Vent	NV	Dia.	5/16"



HA18200

Speed	1	A	4 9/32"
Volt	12	B	n/a
Rotation	CW	C	2 1/4"
Mount	Stud	D	3"
Vent	V	Dia.	5/16"



HA18250

Speed	1	A	4 1/8"
Volt	12	B	3 26/32"
Rotation	CW	C	1 7/8"
Mount	Stud	D	2 15/16"
Vent	V	Dia.	5/16"



HA18600

Speed	2	A	3 9/32"
Volt	12	B	2 13/16"
Rotation	CW/ CCW	C	1 15/16"
Mount	Stud	D	3"
Vent	NV	Dia.	5/16"



HA19200

Speed	1	A	4 3/4"
Volt	12	B	4 3/8"
Rotation	CCW	C	1 9/16"
Mount	Stud	D	3 3/4"
Vent	V	Dia.	5/16"



HA19500

Speed	1	A	3 11/32"
Volt	12	B	2 1/2"
Rotation	CW	C	1 1/8"
Mount	Stud	D	3"
Vent	NV	Dia.	1/4"



HA19550

Speed	1	A	4 3/4"
Volt	12	B	4 11/32"
Rotation	CW	C	1 3/8"
Mount	Strap	D	3"
Vent	NV	Dia.	5/16"



HA19600

Speed	3	A	4 3/8"
Volt	12	B	3 15/32"
Rotation	CW/ CCW	C	1"
Mount	Strap	D	3"
Vent	V	Dia.	5/16"



HA19700

Speed	2	A	4 19/32"
Volt	12	B	3 17/32"
Rotation	CW	C	1"
Mount	Stud	D	3"
Vent	V	Dia.	5/16"



HA19800

Speed	2	A	4 21/32"
Volt	12	B	3 15/16"
Rotation	CCW	C	1 1/4"
Mount	Strap	D	3"
Vent	V	Dia.	5/16"



HA20050

Speed	1	A	4 11/16"
Volt	12	B	4"
Rotation	CW	C	1 9/16"
Mount	Stud	D	3"
Vent	V	Dia.	5/16"



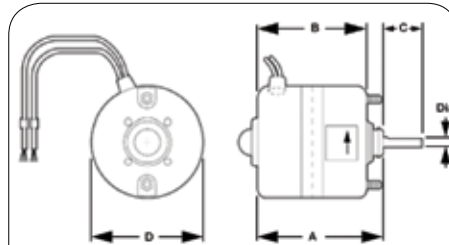
HA22000

Speed	2	A	3 7/8"
Volt	12	B	3 1/8"
Rotation	CW/ CCW	C	1 9/16"
Mount	Casebolt	D	3"
Vent	NV	Dia.	5/16"



HA23400

Speed	n/a	A	n/a
Volt	n/a	B	n/a
Rotation	n/a	C	n/a
Mount	n/a	D	n/a
Vent	n/a	Dia.	n/a



NOTES:

- 1 On single shaft motor, rotation is determined by viewing motor from shaft end.
- 2 On permanent magnet motors the red or orange lead is positive.

SINGLE SHAFT BLOWER MOTORS SPECIFICATIONS

Table 13-424: Single Shaft Blower Motors Specifications

Part No.	Speed	Volt	Rotation	Mount	A	B	C	D	Dia.	Vent
HA10100	2	12	CW	Strap	4 1/8"	4 1/8"	1 1/8"	3"	1/4"	NV
HA10200	1	12	CW	Stud	3 5/8"	2 3/4"	5/8"	3"	1/4"	NV
HA10300	1	12	CW	Stud	4"	3 1/8"	1 3/8"	3"	5/16"	NV
HA10350	1	12	CCW	Stud	4"	4 1/8"	2 3/8"	3"	5/16"	NV
HA10400	1	12	CCW	Stud	4"	5 1/8"	3 3/8"	3"	5/16"	NV
HA10500	1	12	CCW	Stud	4 1/2"	3 5/8"	1 1/2"	3"	5/16"	V
HA10550	1	12	CW	Stud	4 3/4"	3 7/8"	3/4"	3"	5/16"	V
HA10600	1	12	CCW	Stud	4 3/4"	3 7/8"	1 5/8"	3"	5/16"	V
HA10700	1	12	CW	Strap	4 3/4"	4"	1 5/8"	3"	5/16"	V
HA10750	1	12	CCW	Strap	4 7/8"	4"	1 1/8"	3"	5/16"	NV
HA1105	2	12	CW	Stud	5"	4 1/8"	1 1/2"	3"	5/16"	V
HA11250	1	12	CW	Stud	4 3/4"	4"	1 5/8"	3"	5/16"	V
HA11350	1	12	CW	Stud	4 1/2"	3 7/8"	1 3/8"	3"	5/16"	V
HA11500	1	12	CCW	Stud	4 1/4"	3 5/8"	1 1/8"	3"	5/16"	V
HA11550	1	12	CCW	Stud	4 1/4"	3 5/8"	1 1/8"	3"	5/16"	V
HA11650	1	12	CCW	Stud	4 3/4"	4"	1 1/2"	3"	5/16"	V
HA11900	1	12	CW	Stud	4 3/8"	3 5/8"	1 1/2"	3"	5/16"	V
HA11950	1	12	CCW	Stud	4 13/16"	4"	1 7/8"	3"	5/16"	V
HA12100	3	12	CCW	Stud	5 1/8"	4 1/8"	7/8"	3 1/2"	3/8"	V
HA12850	2	12	CCW	Stud	5"	2 7/8"	1 3/8"	3 1/2"	5/16"	V
HA14150	2	24	CW	Strap	3 11/32"	2 17/32"	1 1/8"	3"	1/4"	NV
HA14200	2	12	CW	Stud	3 31/32"	3 1/8"	1 3/8"	3"	5/16"	V
HA15200	1	12	CCW	Stud	4 7/32"	3 15/32"	1 1/32"	3 1/16"	5/16"	V
HA15750	2	12	CW	Stud	3 11/32"	2 17/32"	1 1/8"	3"	1/4"	NV
HA15950	2	12	CW	Stud	3 27/32"	3"	1 1/16"	3"	5/16"	NV
HA16000	2	12	CW	Stud	3 11/32"	2 17/32"	1 1/8"	3"	1/4"	NV
HA16050	1	12	CW	Stud	4 25/32"	4 1/32"	1"	3 7/32"	9/32"	V
HA16200	1	12	CCW	Stud	4 1/2"	3 21/32"	1 1/4"	3"	9/32"	V
HA16450	1	12	CCW	Stud	4 17/32"	3 21/32"	1 3/8"	3"	5/16"	V
HA17150	2	12	CW	Stud	3 5/8"	2 3/4"	5/8"	3"	1/4"	NV
HA17200	1	12	CCW	Stud	4"	3 1/8"	3/4"	3"	5/16"	NV
HA17350	1	12	CW	Strap	4 7/8"	4 1/8"	1 1/8"	3"	5/16"	NV
HA17900	1	12	CW	Strap	4 7/8"	4"	1 1/8"	3"	5/16"	NV
HA18050	2	12	CW	Stud	4 17/32"	3 21/32"	1 3/8"	3"	5/16"	V

Part No.	Speed	Volt	Rotation	Mount	A	B	C	D	Dia.	Vent
HA18100	1	24	CW	Stud	4 29/64"	4"	1 9/16"	3"	5/16"	NV
HA18200	1	12	CW	Stud	4 9/32"	n/a	2 1/4"	3"	5/16"	V
HA18250	1	12	CW	Stud	4 1/8"	3 26/32"	1 7/8"	2 15/16"	5/16"	V
HA18600	2	12	CW/ CCW	Stud	3 9/32"	2 13/16"	1 15/16"	3"	5/16"	NV
HA19200	1	12	CCW	Stud	4 3/4"	4 3/8"	1 9/16"	3 3/4"	5/16"	V
HA19500	1	12	CW	Stud	3 11/32"	2 1/2"	1 1/8"	3"	1/4"	NV
HA19550	1	12	CW	Strap	4 3/4"	4 11/32"	1 3/8"	3"	5/16"	NV
HA19600	1	12	CW/ CCW	Strap	4 3/8"	3 15/32"	1"	3"	5/16"	V
HA19700	2	12	CW	Stud	4 19/32"	3 17/32"	1"	3"	5/16"	V
HA1975	1	12	CCW	Stud	4 7/8"	4"	1 21/32"	3"	5/16"	NV
HA19800	1	12	CCW	Stud	4 21/32"	3 15/16"	1 1/4"	3"	5/16"	V
HA20050	1	12	CW	Stud	4 11/16"	4"	1 9/16"	3"	5/16"	V
HA22000	2	12	CW/ CCW	Casebolt	3 7/8"	3 1/8"	1 9/16"	3"	5/16"	NV
HA23400	n/a	n/a	n/a	n/a	n/a	n/a	n/a	n/a	n/a	n/a
HA24100	1	12	CW	Strap	4 3/4"	4"	1 1/2"	3"	5/16"	V
HF10300	2	12	CW	Sud	3 5/8"	2 3/4"	5/8"	3"	1/4"	NV

DOUBLE SHAFT BLOWER MOTORS

Table 13-425: Double Shaft Blower Motors



HA19950

Speed	1	A	4 7/8"
Volt	12	B	4 1/64"
Rotation	CCW	C	4 15/16"
Mount	Strap	D	3"
Vent	NV	Dia.	5/16"



HB10300

Speed	1	A	4 5/8"
Volt	12	B	4"
Rotation	PM	C	2 9/16"
Mount	Stud	D	3"
Vent	V	Dia.	5/16"



HB10400

Speed	1	A	4 27/32"
Volt	12	B	4 1/32"
Rotation	CCW	C	2 9/16"
Mount	Strap	D	3"
Vent	V	Dia.	5/16"



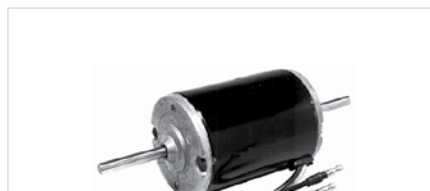
HB10450

Speed	n/a	A	n/a
Volt	n/a	B	n/a
Rotation	n/a	C	n/a
Mount	n/a	D	n/a
Vent	n/a	Dia.	n/a



HB10500

Speed	1	A	4 3/4"
Volt	12	B	3 7/8"
Rotation	PM	C	2 5/8"
Mount	Strap	D	3"
Vent	V	Dia.	5/16"



HB10550

Speed	1	A	4 3/4"
Volt	12	B	4 1/8"
Rotation	PM	C	1 7/8"
Mount	Strap	D	3"
Vent	NV	Dia.	5/16"



HB10600

Speed	1	A	4 3/4"
Volt	12	B	3 7/8"
Rotation	CCW	C	1 5/8"
Mount	Stud	D	3"
Vent	V	Dia.	5/16"



HB10700

Speed	1	A	4 3/4"
Volt	12	B	4 1/8"
Rotation	PM	C	3 5/8"
Mount	Strap	D	3"
Vent	V	Dia.	5/16"



HB10850

Speed	1	A	4 1/2"
Volt	12	B	4"
Rotation	PM	C	2 5/16"
Mount	Strap	D	3"
Vent	V	Dia.	5/16"



HB11050

Speed	1	A	5 1/4"
Volt	24	B	4 1/2"
Rotation	CW/ CCW	C	2 5/8"
Mount	Stud	D	3"
Vent	V	Dia.	5/16"



HB11200

Speed	1	A	5 1/2"
Volt	12	B	5"
Rotation	PM	C	2 5/8"
Mount	Stud	D	3"
Vent	NV	Dia.	3/8"



HB11350

Speed	3	A	3 1/2"
Volt	12	B	3"
Rotation	CW/ CCW	C	3"
Mount	Strap	D	3"
Vent	V	Dia.	5/16"



HB11550

Speed	1	A	4 1/4"
Volt	12	B	3 5/8"
Rotation	CCW	C	1 1/8"
Mount	Stud	D	3"
Vent	V	Dia.	5/16"



HB13950

Speed	1	A	n/a
Volt	24	B	4"
Rotation	CCW	C	2 5/16"
Mount	Stud	D	3"
Vent	V	Dia.	5/16"



HB15700

Speed	1	A	5 11/32"
Volt	12	B	4 17/32"
Rotation	CCW	C	2 1/4"
Mount	Strap	D	3"
Vent	V	Dia.	5/16"



HB16100

Speed	1	A	5 9/32"
Volt	12	B	4 17/32"
Rotation	CCW	C	2 3/8"
Mount	Strap	D	3"
Vent	V	Dia.	5/16"



HB16250

Speed	1	A	5 9/32"
Volt	12	B	4 19/32"
Rotation	CCW	C	2 9/32"
Mount	Strap	D	3"
Vent	V	Dia.	5/16"



HB16500

Speed	1	A	6"
Volt	24	B	3 15/16"
Rotation	CCW	C	2"
Mount	Strap	D	3"
Vent	V	Dia.	5/16"



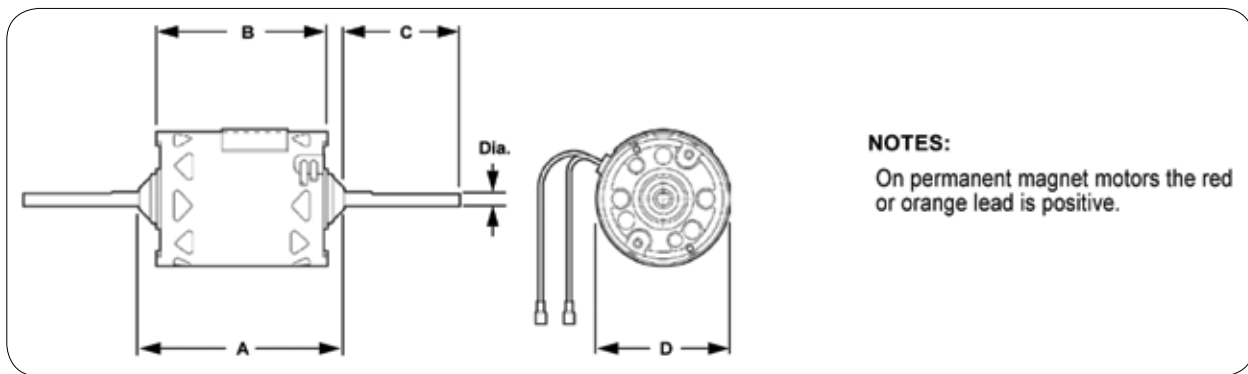
HB16600

Speed	1	A	5 13/32"
Volt	12	B	4 17/32"
Rotation	CCW	C	2 5/16"
Mount	Stud	D	3"
Vent	V	Dia.	5/16"



HB16700

Speed	1	A	4 3/4"
Volt	12	B	3 15/16"
Rotation	CCW	C	2 21/32"
Mount	Strap	D	3"
Vent	V	Dia.	5/16"




DOUBLE SHAFT BLOWER MOTOR SPECIFICATIONS

Table 13-427: Double Shaft Blower Motor Specifications

Part No.	Speed	Volt	Rotation	Mount	A	B	C	D	Dia.	Vent
HA17100	1	12	PM	Stud	4"	3 1/2"	3 1/4"	3"	5/16"	V
HA19050	1	24	n/a	Strap	5 1/4"	4 1/2"	2 7/8"	3"	5/16"	V
HA19100	1	12	CW/ CCW	Stud	4 3/4"	4 1/2"	2 1/2"	3"	5/16"	V
HA19950	1	12	CCW	Strap	4 7/8"	4 1/64"	4 15/16"	3"	5/16"	NV
HA2140	3	12	n/a	Stud	5"	4 3/8"	2 7/8"	4"	3/8"	V
HB10300	1	12	PM	Stud	4 5/8"	4"	2 9/16"	3"	5/16"	V
HB10400	1	12	CCW	Strap	4 27/32"	4 1/32"	2 9/16"	3"	5/16"	V
HB10450	n/a	n/a	n/a	n/a	n/a	n/a	n/a	n/a	n/a	n/a
HB10500	1	12	PM	Strap	4 3/4"	3 7/8"	2 5/8"	3"	5/16"	V
HB10550	1	12	PM	Strap	4 3/4"	4 1/8"	1 7/8"	3"	5/16"	NV
HB10600	1	12	CCW	Stud	4 3/4"	3 7/8"	1 5/8"	3"	5/16"	V
HB10700	1	12	PM	Strap	4 3/4"	4 1/8"	3 5/8"	3"	5/16"	V
HB10750	1	12	CCW	Strap	4 7/8"	4"	1 1/8"	3"	5/16"	NV
HB10850	1	12	PM	Strap	4 1/2"	4"	2 5/16"	3"	5/16"	V
HB11050	1	24	CW/ CCW	Stud	5 1/4"	4 1/2"	2 5/8"	3"	5/16"	V
HB11200	1	12	PM	Stud	5 1/2"	5"	2 5/8"	3"	3/8"	NV
HB11350	3	12	CW/ CCW	Strap	3 1/2"	3"	3"	3"	5/16"	V
HB11550	1	12	CCW	Stud	4 1/4"	3 5/8"	1 1/8"	3"	5/16"	V
HB13950	1	24	CCW	Stud	n/a	4"	2 5/16"	3"	5/16"	V
HB15700	1	12	CCW	Strap	5 11/32"	4 17/32"	2 1/4"	3"	5/16"	V
HB16100	1	12	CCW	Strap	5 9/32"	4 17/32"	2 3/8"	3"	5/16"	V
HB16250	1	12	CCW	Strap	5 9/32"	4 19/32"	2 9/32"	3"	5/16"	V
HB16500	1	24	CCW	Strap	6"	3 15/16"	2"	3"	5/16"	V
HB16600	1	12	CCW	Stud	5 13/32"	4 17/32"	2 5/16"	3"	5/16"	V
HB16700	1	12	CCW	Strap	4 3/4"	3 15/16"	2 21/32"	3"	5/16"	V
HB1695	1	12	CW/ CCW	Strap	5 1/8"	3 3/4"	1 7/8"	3"	5/16"	V


FLANGED BLOWER MOTORS

Table 13-428: Flanged Blower Motors




HA11700

Speed	1	A	4 5/8"
Volt	12	B	4 3/16"
Rotation	CW	C	1 17/64"
Mount	Flange	D	3 15/64"
Vent	V	Dia.	5/16"




HA12500

Speed	1	A	5"
Volt	12	B	4 1/4"
Rotation	CW	C	1"
Mount	Flange	D	3"
Vent	V	Dia.	5/16"




HA15850

Speed	1	A	3 9/32"
Volt	12	B	n/a
Rotation	CW	C	1 5/32"
Mount	Flange	D	3 1/8"
Vent	V	Dia.	5/16"




HA18350

Speed	1	A	4 3/32"
Volt	12	B	n/a
Rotation	CCW	C	1 3/16"
Mount	Flange	D	3"
Vent	V	Dia.	5/16"




HA19900*

Speed	1	A	4 5/8"
Volt	12	B	4 3/32"
Rotation	CW	C	1 5/16"
Mount	Flange	D	3"
Vent	V	Dia.	5/16"




HA20000

Speed	1	A	4 3/4"
Volt	12	B	4 1/4"
Rotation	CW/ Spade End	C	1 1/16"
Mount	Flange	D	3 1/8"
Vent	V	Dia.	5/16"




HA20700

Speed	1	A	4 1/2"
Volt	12	B	n/a
Rotation	CCW	C	13/16"
Mount	Flange	D	3 1/4"
Vent	V	Dia.	5/16"



HA15850

Speed	1	A	4 7/8"
Volt	12	B	n/a
Rotation	CW	C	1 3/16"
Mount	Flange	D	3 3/8"
Vent	V	Dia.	5/16"



HA21500

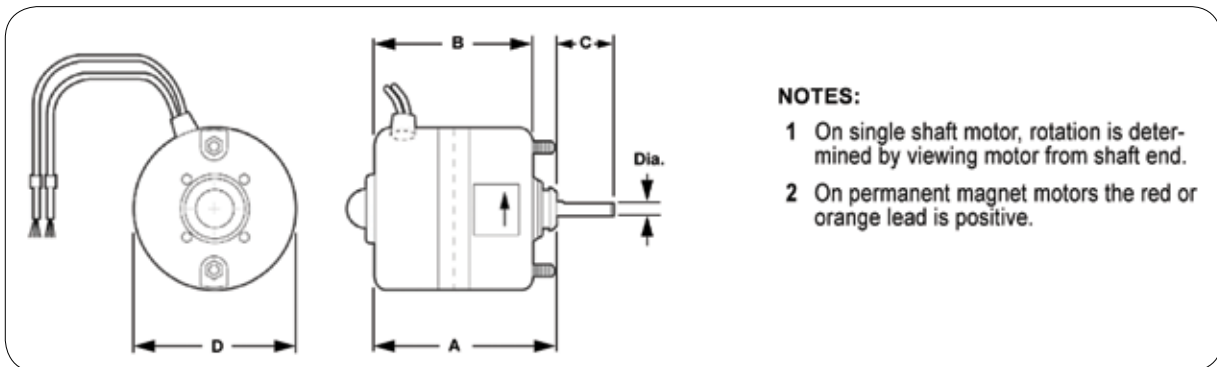
Speed	1	A	4 1/4"
Volt	12	B	n/a
Rotation	CCW	C	1 1/4"
Mount	Flange	D	3 1/4"
Vent	V	Dia.	5/16"

* This motor can be used on multiple applications with harness FF11300.

FLANGED BLOWER MOTORS SPECIFICATIONS


Table 13-429: Flanged Blower Motors Specifications

Part No.	Speed	Volt	Rotation	Mount	A	B	C	D	Dia.	Vent
HA11700	1	12	CW	Flange	4 5/8"	4 3/16"	1 17/64"	3 15/64"	5/16"	V
HA12500	1	12	CW	Plate	5"	4 1/4"	1"	3"	5/16"	V
HA15850	1	12	CW	Flange	3 9/32"	n/a	1 5/32"	3 1/8"	5/16"	V
HA18350	1	12	CCW	Flange	4 3/32"	n/a	1 3/16"	3"	5/16"	V
HA19900*	1	12	CW	Flange	4 5/8"	4 3/32"	1 5/16"	3"	5/16"	V
HA20000	1	12	CW/Spade End	Flange	4 3/4"	4 1/4"	1 1/16"	3 1/8"	5/16"	V
HA2010	n/a	12	CW	Flange	3 5/8"	n/a	1 3/8"	2 7/8"	5/16"	V
HA2060	1	12	CCW	Flange	4 3/4"	n/a	1 1/16"	3"	5/16"	V
HA20700	1	12	CW	Flange	4 1/2"	n/a	13/16"	3 1/4"	5/16"	V
HA2105	1	12	REV	Flange	4 7/8"	n/a	1 1/16"	3 1/4"	5/16"	V
HA21500	1	12	CCW	Flange	4 1/4"	n/a	1 1/4"	3 1/4"	5/16"	V
HB1115	2	12	CW/Spade End	Stud	5"	4 3/16"	1 3/8"	3 1/4"	5/16"	V




BLOWER MOTOR ASSEMBLIES

Table 13-430: Blower Motors Assemblies




HA17050

Speed	1	A	4 49/64"
Volt	12	B	4 1/32"
Rotation	CW	C	2 11/64"
Mount	Blower Assy	D	3"
Vent	V	Dia.	5/16"




HA18300

Speed	1	A	5"
Volt	12	B	4 9/32"
Rotation	CW	C	1 1/4"
Mount	Stud	D	3"
Vent	V	Dia.	5/16"




HA18700

Speed	1	A	4 3/4"
Volt	12	B	4 7/16"
Rotation	CCW	C	1 1/2"
Mount	Blower Assy	D	3"
Vent	V	Dia.	5/16"



HA19100

Speed	1	A	4 3/4"
Volt	12	B	4 1/2"
Rotation	CW/ CCW	C	2 1/2"
Mount	Stud	D	3"
Vent	V	Dia.	5/16"



HA21550

Speed	1	A	4 13/32"
Volt	12	B	n/a
Rotation	CCW	C	1 1/2"
Mount	Blower Assy	D	3"
Vent	V	Dia.	5/16"




HA21650

Speed	n/a	A	n/a
Volt	n/a	B	n/a
Rotation	n/a	C	n/a
Mount	n/a	D	n/a
Vent	n/a	Dia.	n/a




HA21700

Speed	1	A	4 3/4"
Volt	12	B	4 7/16"
Rotation	CCW	C	1 1/2"
Mount	Blower Assy	D	3"
Vent	V	Dia.	5/16"



HA23450

Speed	n/a	A	n/a
Volt	n/a	B	n/a
Rotation	n/a	C	n/a
Mount	n/a	D	n/a
Vent	n/a	Dia.	n/a



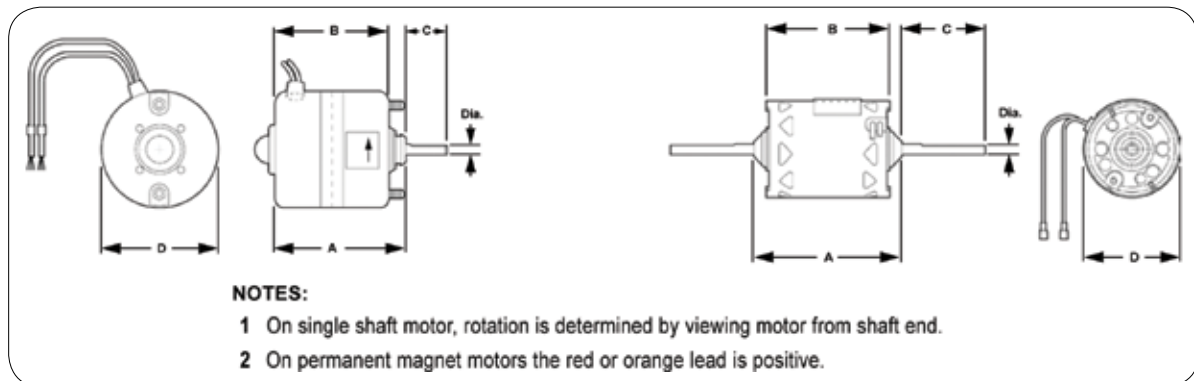
HA23650

Speed	n/a	A	n/a
Volt	n/a	B	n/a
Rotation	n/a	C	n/a
Mount	n/a	D	n/a
Vent	n/a	Dia.	n/a

BLOWER MOTOR ASSEMBLIES SPECIFICATIONS

Table 13-431: Blower Motor Assemblies Specifications

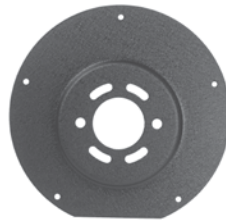
Part No.	Speed	Volt	Rotation	Mount	A	B	C	D	Dia.	Vent
HA17050	1	12	CW	Blower Assy	4 49/64"	4 1/32"	2 11/64"	3"	5/16"	V
HA17055	1	12	CW	w/ Shrd & Fan	27/8"	n/a	n/a	11"	n/a	NV
HA18300	1	12	CW	Stud	5"	4 9/32"	1 1/4"	3"	5/16"	V
HA18700	1	12	CCW	Blower Assy	4 3/4"	4 7/16"	1 1/2"	3"	5/16"	V
HA19100	1	12	CW/ CCW	Stud	4 3/4"	4 1/2"	2 1/2"	3"	5/16"	V
HA2035	1	12	CW	Flange	4"	n/a	1 3/8"	3 3/8"	5/16"	V
HA2040	1	12	CCW	Flange	4 1/4"	n/a	1 5/16"	3 1/8"	5/16"	V
HA2045	1	12	CW	Flange	4 1/4"	n/a	1 5/16"	3 1/8"	5/16"	V
HA2055	1	12	CW	Flange	4 1/8"	n/a	1 3/8"	3 1/8"	5/16"	NV
HA21550	1	12	CCW	Blower Assy	4 13/32"	n/a	1 1/2"	3"	5/16"	V
HA2160	1	12	CCW	Blower Assy	4 3/4"	4 7/16"	1 1/2"	3"	5/16"	V
HA21650	n/a	n/a	n/a	n/a	n/a	n/a	n/a	n/a	n/a	n/a
HA21700	1	12	CCW	Blower Assy	4 3/4"	4 7/16"	1 1/2"	3"	5/16"	V
HA23450	n/a	n/a	n/a	n/a	n/a	n/a	n/a	n/a	n/a	n/a
HA23650	n/a	n/a	n/a	n/a	n/a	n/a	n/a	n/a	n/a	n/a



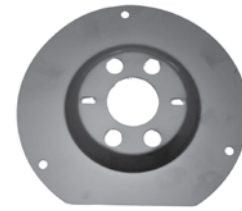
BLOWER MOUNTS & HOUSING



AE10350



FC10100



FC10150



FC10450



FC10550



HE10100

Table 13-432: Blower Mounts & Housing

TRP® Part No.	Description
AE10350	Motor Mounting Plate
FC10100	Motor Mounting Plate
FC10150	Motor Mounting Plate
FC10450	Motor Strap
FC10550	Motor Mounting Plate
HE10100	Motor Mounting Bracket

SINGLE ENTRY BLOWER WHEELS

Table 13-433: Single Entry Blower Wheels



HC10850

Rotation	CW
Material	Steel
Diameter (A)	5 5/8"
Width (B)	2 11/16"
Bore Dia. (C)	n/a




HC10950

Rotation	CCW
Material	Steel
Diameter (A)	5 19/32"
Width (B)	2 1/32"
Bore Dia. (C)	5/16"



HC11200

Rotation	CCW
Material	Steel
Diameter (A)	5 9/16"
Width (B)	1 7/8"
Bore Dia. (C)	5/16"




HC11350

Rotation	CCW
Material	Aluminum
Diameter (A)	4 3/4"
Width (B)	2 7/8"
Bore Dia. (C)	5/16"




HC12800

Rotation	CCW
Material	Steel
Diameter (A)	5 1/4"
Width (B)	3 1/2"
Bore Dia. (C)	5/16"



HC13850

Rotation	CW
Material	Plastic
Diameter (A)	5"
Width (B)	3 1/8"
Bore Dia. (C)	5/16"




HC13950

Rotation	CW
Material	Plastic
Diameter (A)	5 23/32"
Width (B)	2 23/32"
Bore Dia. (C)	5/16"



HC14050

Rotation	CCW
Material	Plastic
Diameter (A)	6"
Width (B)	3"
Bore Dia. (C)	5/16"



HC14300

Rotation	CW
Material	Plastic
Diameter (A)	5 3/4"
Width (B)	3 1/3"
Bore Dia. (C)	5/16"

SINGLE ENTRY BLOWER WHEELS

Table 13-434: Single Entry Blower Wheels



HC14700

Rotation	CW
Material	Steel
Diameter (A)	3 13/16"
Width (B)	1 29/32"
Bore Dia. (C)	1/4"



HC14750

Rotation	CW
Material	Steel
Diameter (A)	3 3/4"
Width (B)	1 7/8"
Bore Dia. (C)	1/4"



HC16250

Rotation	CW
Material	Steel
Diameter (A)	5 3/4"
Width (B)	3 1/4"
Bore Dia. (C)	5/16"



HC16300

Rotation	CW
Material	n/a
Diameter (A)	5 3/4"
Width (B)	3 7/16"
Bore Dia. (C)	5/16"



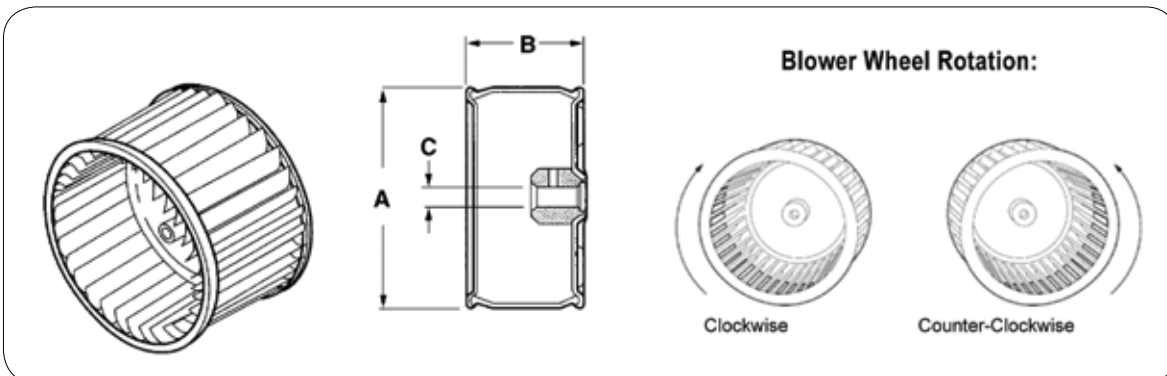
HC16400

Rotation	CW
Material	n/a
Diameter (A)	5 3/4"
Width (B)	2 7/16"
Bore Dia. (C)	n/a



HF15300

Rotation	CW
Material	Aluminum
Diameter (A)	5 1/4"
Width (B)	2 29/32"
Bore Dia. (C)	5/16"



DOUBLE ENTRY BLOWER WHEELS

Table 13-435: Double Entry Blower Wheels



HC10050

Rotation	CW
Material	Plastic
Diameter (A)	5 19/32"
Width (B)	3 15/32"
Bore Dia. (C)	n/a



HC10500

Rotation	CCW
Material	Plastic
Diameter (A)	4 17/32"
Width (B)	3 13/32"
Bore Dia. (C)	5/16"



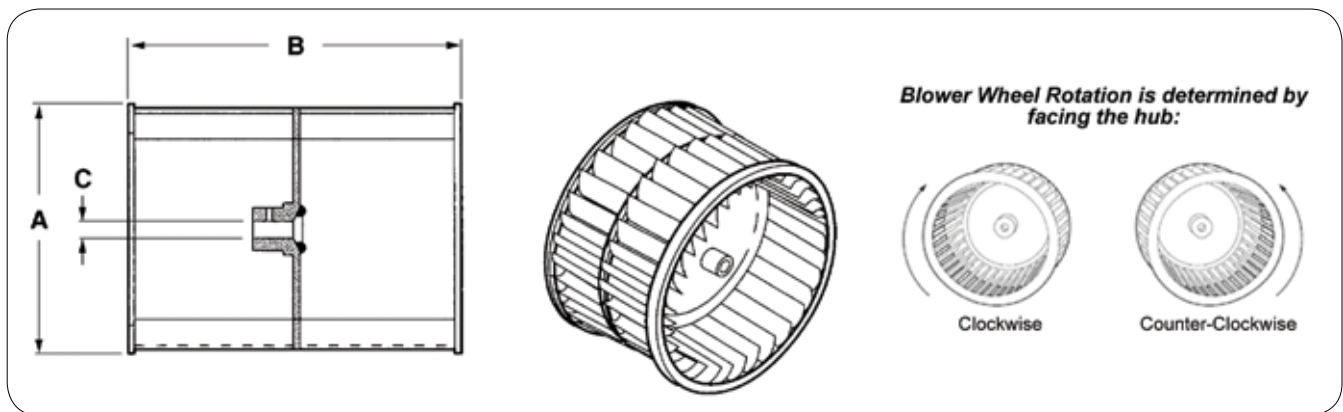
HC11700

Rotation	CW
Material	Steel
Diameter (A)	5 1/2"
Width (B)	4 21/32"
Bore Dia. (C)	5/16"



HC11850

Rotation	CCW
Material	Steel
Diameter (A)	5 9/16"
Width (B)	3 1/8"
Bore Dia. (C)	5/16"



FANS

DEFROST FANS

Table 13-436: Defrost Fans

Heavy Duty HD10150

Speed	2
A	5 1/2"
B	2 3/16"
C	7 7/16"
D	8 15/16"
Voltage	12
Cage	Metal
Color	Black
Leads	12"
Base	Swivel Ball
Note	1,3



Med. Duty HD10200

Speed	2
A	5"
B	2 3/16"
C	7 1/2"
D	7 5/8"
Voltage	12
Cage	Metal
Color	Chrome
Leads	10"
Base	Swivel Ball
Note	2,3



Heavy Duty HD10300

Speed	2
A	5 1/2"
B	2 3/16"
C	7 7/16"
D	8 15/16"
Voltage	12
Cage	Metal
Color	Chrome
Leads	12"
Base	Swivel Ball
Note	1,3



Heavy Duty HD10900

Speed	2
A	5 5/16"
B	2 1/4"
C	7 1/2"
D	9 7/8"
Voltage	24
Cage	Metal
Color	Chrome
Leads	n/a
Base	U Joint
Note	1,3



Heavy Duty HD11300

Speed	2
A	4 31/32"
B	2 3/16"
C	7 7/16"
D	9 21/32"
Voltage	12
Cage	Metal
Color	Black
Leads	16"
Base	U Joint
Note	1,3



Heavy Duty HD11350

Speed	2
A	4 31/32"
B	2 3/16"
C	7 7/16"
D	9 21/32"
Voltage	12
Cage	Metal
Color	Chrome
Leads	16"
Base	U Joint
Note	1,3



Heavy Duty HD11450

Speed	2
A	4 31/32"
B	2 3/16"
C	7 7/16"
D	9 21/32"
Voltage	12
Cage	Metal
Color	Chrome
Leads	16"
Base	U Joint
Note	1,3

**Heavy Duty HD11500**

Speed	2
A	4 31/32"
B	2 13/64"
C	7 1/2"
D	9 7/8"
Voltage	12
Cage	Metal
Color	Chrome
Leads	12"
Base	U Joint
Note	1,4

**Heavy Duty HD12450**

Speed	2
A	4 3/4"
B	2 5/32"
C	7 3/16"
D	10 51/64"
Voltage	12
Cage	Metal
Color	Chrome
Leads	8 1/2"
Base	Plate Ball
Note	1,4


**Heavy Duty HD12500**

Speed	2
A	5 1/2"
B	2 3/16"
C	7 7/16"
D	8 15/16"
Voltage	12
Cage	Metal
Color	Black
Leads	n/a
Base	Swivel Ball
Note	n/a




FAN BLADES

Table 13-437: Fan Blades




HC10700

Rotation	CW
Material	Plastic
Diameter	6 1/2"
Bore Dia.	1/4"




HC10800

Rotation	CW
Material	Aluminum
Diameter	6 1/2"
Bore Dia.	1/4"



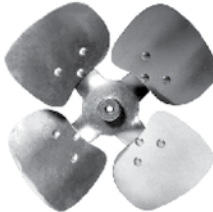
HC10900

Rotation	CCW
Material	Plastic
Diameter	6"
Bore Dia.	1/4"




HC13050

Rotation	CW
Material	Aluminum
Diameter	10"
Bore Dia.	5/16"



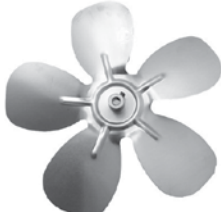
HC13100

Rotation	CW
Material	Aluminum
Diameter	10"
Bore Dia.	5/16"




HC13350

Rotation	CW
Material	Aluminum
Diameter	8 5/64"
Bore Dia.	5/16"




HC15900

Rotation	CW
Material	Aluminum
Diameter	10"
Bore Dia.	5/16"



HC15950

Rotation	CW
Material	Aluminum
Diameter	8 3/4"
Bore Dia.	5/16"



HC16000

Rotation	CW
Material	Aluminum
Diameter	7"
Bore Dia.	1/4"

CLUTCHES

SERVICE TIPS

CLUTCHES SERVICE TIPS

The clutch is designed to turn the compressor on and off. This is achieved by controlling the voltage to an electromagnetic coil that engages or disengages depending on the demand of the evaporator.

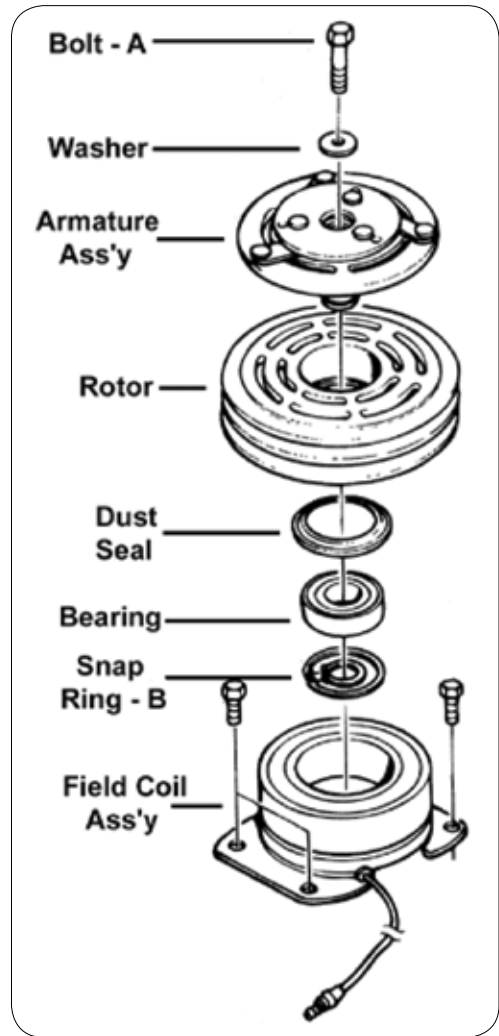
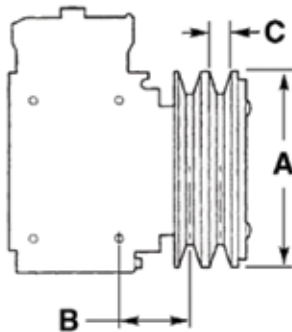
Compressors

See Page 11-181




Clutch Service Tips


- Verify Clutch Engagement** With the engine running and the A/C on full, verify the clutch is engaging/disengaging
- Field Coil** Open circuit in Field Coil will show during resistance check
- Pulley & Belt** The pulley and belt should be aligned and free of noise or slippage
- Rotor** The rotor should be free of any signs indicating rubbing on the field coil outer diameter.





SINGLE GROOVE CLUTCHES


Table 13-438: Single Groove Clutches


TCCI-12V	
	
KA1015	
(A) Diam.	6-13/16"
(B)	2 11/32"
(C) Groove	25/32"
Volts	12


TCCI-12V	
	
KA1170	
(A) Diam.	6"
(B)	2 5/8"
(C) Groove	1/2"
Volts	12


TCCI-12V	
	
KA1220	
(A) Diam.	6-11/16"
(B)	2 11/32"
(C) Groove	21/32"
Volts	12

TCCI-12V	
	
KA1280	
(A) Diam.	6-11/16"
(B)	2 11/32"
(C) Groove	1/2"
Volts	12

TCCI-12V	
	
KA1415	
(A) Diam.	6 11/16"
(B)	2 1/16"
(C) Groove	1/2"
Volts	12

TCCI-12V	
	
KA1445	
(A) Diam.	6-11/16"
(B)	2 9/16"
(C) Groove	21/32"
Volts	12

TCCI-12V	
	
KA1455	
(A) Diam.	6"
(B)	2 5/8"
(C) Groove	1/2"
Volts	12

Frigidaire, Harrison	
	
KA1580	
(A) Diam.	5"
(B)	n/a
(C) Groove	1/2"
Volts	n/a

Frigidaire, Harrison	
	
KA1560	
(A) Diam.	5"
(B)	n/a
(C) Groove	7/16"
Volts	n/a



CLUTCH (AIR CONDITIONING COMPRESSOR)

FEATURES & BENEFITS

- » Rugged, forged pulley
- » High torque due to double row bearings
- » Weatherpack connector
- » Meets ASTM-B-117 testing standards for corrosion protection
- » "Super Screws" with thread locking compound
- » Diode protection suppresses transient voltage

RELATED PARTS

- » Receiver Drier
- » PAG Oil
- » Compressors
- » Expansion Valve



CLUTCH FOR AIR COMPRESSORS

The air conditioning compressor clutch serves two functions. First, the clutch drives or rotates the air conditioning compressor with a belt driven by the crankshaft. Second, the air conditioning compressor clutch can be switched off as needed by the A/C system controls. Switching the clutch off can prevent evaporator freeze, reduce high pressures and save power.

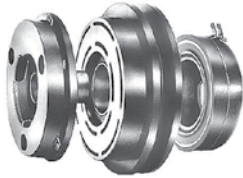
Clutches come in 12 volt and 24 volt variations. North America primarily uses a 12 volt, while Europe uses a 24 volt as standard. Clutches not receiving a nominal voltage can experience a reduced life. It is a good practice to confirm vehicle voltage at time of installation.

Scan the code for more information.
Get the free mobile app at <http://gettag.mobi>



SINGLE GROOVE CLUTCHES (CONTINUED)

Frigidaire, Harrison



KA1565

(A) Diam.	5 5/8"
(B)	n/a
(C) Groove	7/16"
Volts	n/a

Frigidaire, Harrison



KA1615

(A) Diam.	5"
(B)	1 1/4"
(C) Groove	1/2"
Volts	n/a

Frigidaire, Harrison



KA1620

(A) Diam.	4 5/8"
(B)	n/a
(C) Groove	1/2"
Volts	n/a

Sanden - 12V



KA12000

(A) Diam.	6 1/4" (158mm)
(B)	2 1/4"
(C) Groove	1/2" to 3/4"
Volts	12

TCCI



KA10100

(A) Diam.	7 11/32"
(B)	2-11/32"
(C) Groove	13/16"
Volts	12

TCCI



KA10200

(A) Diam.	6-11/16"
(B)	2-27/32"
(C) Groove	1/2"
Volts	12

TCCI



KA10450

(A) Diam.	6-11/16"
(B)	2-11/32"
(C) Groove	1/2"
Volts	12

TCCI



KA10850

(A) Diam.	6-11/16"
(B)	2-11/32"
(C) Groove	19/32"
Volts	12


TCCI





KA10950


(A) Diam.	6"
(B)	2-27/32"
(C) Groove	1/2"
Volts	12


SINGLE GROOVE CLUTCHES (CONTINUED)


TCCI	
	
KA11400	
(A) Diam.	6-11/16"
(B)	2-9/16"
(C) Groove	19/32"
Volts	12


TCCI	
	
KA11900	
(A) Diam.	6-11/16"
(B)	2-9/16"
(C) Groove	19/32"
Volts	12

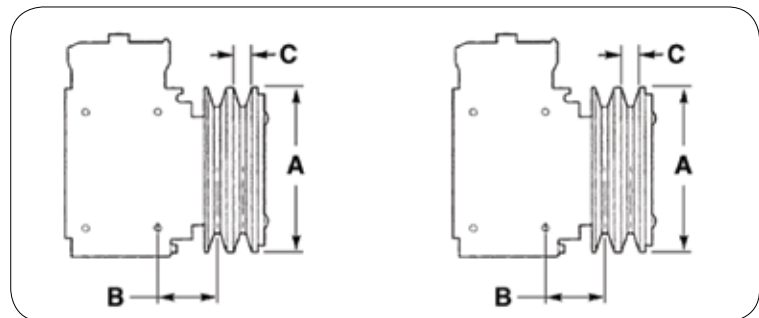
TCCI	
	
KA14600	
(A) Diam.	6"
(B)	2-5/8"
(C) Groove	1/2"
Volts	12

TCCI	
	
KA14900	
(A) Diam.	6-9/32"
(B)	2-5/8"
(C) Groove	19/32"
Volts	12

TCCI	
	
KA15300	
(A) Diam.	6"
(B)	2-27/32"
(C) Groove	1/2"
Volts	12

Seltec	
	
KA10550	
(A) Diam.	4-15/16"
(B)	2-3/16"
(C) Groove	1/2"
Volts	12

Seltec	
	
KA10800	
(A) Diam.	6-1/4"
(B)	1-27/32"
(C) Groove	25/32"
Volts	12



SINGLE GROOVE CLUTCHES SPECIFICATIONS

Table 13-439: Single Groove Clutches Specifications


Part No.	(A) Diam.	(B)	(C) Groove	Volts	OEM Part No.	Note
TCCI - 12V						
KA1015	6-13/16"	2-11/32"	25/32"	12	502744	
KA1415	6-11/16"	2-1/16"	1/2"	12	501280	
KA1445	6-11/16"	2-9/16"	21/32"	12	502743	
KA1455	6"	2-5/8"	1/2"	12	503887	
KA1170	6-3/4"	3"	5/8"	12	502741	
KA1220	6-1/4" (158mm)	2-1/4"	1/2" to 3/4"	12		
KA1280	6-11/16"	2-11/32"	1/2"	12	502733	
KA10100	7-11/32"	2-11/32"	13/16"	12	502400	
KA10200	6-11/16"	2-27/32"	1/2"	12	502740	
KA10450	6-11/16"	2-11/32"	1/2"	12	502393	
KA10850	6-11/16"	2-11/32"	19/32"	12	502731	
KA10950	6"	2-27/32"	1/2"	12	502409	
KA11400	6-11/16"	2-9/16"	19/32"	12	502736	
KA11900	6-11/16"	2-9/16"	19/32"	12	502738	
KA14600	6"	2-5/8"	1/2"	12	508888	
KA14900	6-9/32"	2-5/8"	19/32"	12	515528	Dual Lead Wire
KA15300	6"	2-27/32"	1/2"	12	14533	
FRIGIDAIRE, HARRISON						
KA1560	5"	n/a	1/2"	n/a		
KA1565	5-5/8"	n/a	7/16"	n/a		
KA1580	5"	n/a	1/2"	n/a		
KA1615	5"	1-1/4"	1/2"	n/a		
KA1620	4-5/8"	n/a	1/2"	n/a		
SANDEN - 12V						
KA12000	6-1/4" (158mm)	2-1/4"	1/2" to 3/4"	12		
SELTEC						
KA10550	4-15/16"	2-3/16"	1/2"	12		
KA10800	6-1/4"	1-27/32"	25/32"	12		


Note: All Clutches Ordered By Part Number. They Include Coil And Complete Mounting Hardware. All Keys Are 5/32".


"D" Dimension: 0.62" On All Double Groove Clutches. Does Not Include Coil (Frigidaire model).

DOUBLE GROOVE CLUTCHES

Table 13-440: Double Groove Clutches

TCCI-12V	
	
KA1090	
(A) Diam.	7"
(B)	2-1/16"
(C) Groove	1/2"
Volts	12

TCCI-12V	
	
KA1450	
(A) Diam.	5"
(B)	2-9/16"
(C) Groove	1/2"
Volts	12


TCCI-12V	
	
KA1475	
(A) Diam.	6"
(B)	2-27/32"
(C) Groove	1/2"
Volts	12


Sanden	
	
4626-9931	
(A) Diam.	5-1/4" (132mm)
(B)	n/a
(C) Groove	1/2"
Volts	12

Sanden	
	
4627-9931	
(A) Diam.	4-59/64" (125mm)
(B)	n/a
(C) Groove	1/2"
Volts	12

Sanden	
	
4647-9931	
(A) Diam.	4-59/64" (125mm)
(B)	n/a
(C) Groove	1/2"
Volts	12


Sanden	
	
4713-9930	
(A) Diam.	4-59/64" (125mm)
(B)	n/a
(C) Groove	1/2"
Volts	12

Sanden	
	
6528-6410	
(A) Diam.	n/a
(B)	n/a
(C) Groove	n/a
Volts	n/a

Sanden - 12V	
	
KA1345	
(A) Diam.	5-1/4" (132mm)
(B)	n/a
(C) Groove	1/2"
Volts	12

DOUBLE GROOVE CLUTCHES (CONTINUED)


Sanden - 12V



KA1540

(A) Diam.	5-1/4" (132mm)
(B)	2"
(C) Groove	1/2"
Volts	12


TCCI



KA10350

(A) Diam.	6-11/16"
(B)	2-11/32"
(C) Groove	1/2"
Volts	12


TCCI



KA10400

(A) Diam.	6"
(B)	2-5/16"
(C) Groove	1/2"
Volts	12


Sanden



KA1075

(A) Diam.	n/a
(B)	n/a
(C) Groove	n/a
Volts	n/a


TCCI



KA13950

(A) Diam.	6"
(B)	2-5/16"
(C) Groove	1/2"
Volts	12

TCCI



KA15250

(A) Diam.	6"
(B)	2-5/16"
(C) Groove	1/2"
Volts	12


Sanden



KA44260

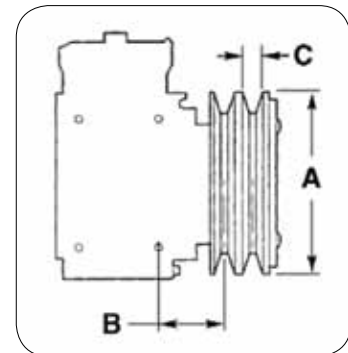
(A) Diam.	4-59/64" (125mm)
(B)	n/a
(C) Groove	5/8"
Volts	12

TCCI



KA10250

(A) Diam.	5-5/16"
(B)	1-27/32"
(C) Groove	1/2"
Volts	12



DOUBLE GROOVE CLUTCHES SPECIFICATIONS

Table 13-441: Double Groove Clutches Specifications

Part No.	(A) Dia.	(B)	(C) Groove	Volts	OEM No.	Notes
TCCI - 12V						
KA1090	7"	2-1/16"	1/2"	12	332334	
KA1450	5"	2-9/16"	1/2"	12	503272	
KA1475	6"	2-27/32"	1/2"	12	511204	
KA10350	6-11/16"	2-11/32"	1/2"	12	502742, 511199	
KA10400	6"	2-5/16"	1/2"	12	501939	
KA13950	6"	2-5/16"	1/2"	12	332639	
KA15250	6"	2-5/16"	1/2"	12	522582	Dual Lead Wire
SANDEN - 12V						
4626-9931	5-1/4" (132mm)	n/a	1/2"	12	6511-6010	
4627-9931	4-59/64" (125mm)	n/a	1/2"	12	6511-6011	
4647-9931	4-59/64" (125mm)	n/a	1/2"	12	6504-6310	
4713-9930	4-59/64" (125mm)	n/a	1/2"	12	n/a	
6528-6410	n/a	n/a	n/a	n/a	n/a	
KA1075	5-1/4" (132mm)	n/a	1/2"	12	6519-6010	
KA1345	5-1/4" (132mm)	n/a	1/2"	12		
KA1540	5-1/4" (132mm)	2"	1/2"	12	6511-6210	
KA44260	4-59/64" (125mm)	n/a	5/8"	12	6593-6010	
KA10250	5-5/16"	1-27/32"	1/2"	12	511051	


Note: All Clutches Ordered By Part Number. They Include Coil And Complete Mounting Hardware. All Keys Are 5/32".

"D" Dimension: 0.62" On All Double Groove Clutches. Does Not Include Coil (Frigidaire Model).

MULTI-GROOVE CLUTCHES

Table 13-442: Multi-Groove Clutches


Ford



KA1660

(A) Diam.	5-3/4"
(B)	n/a
(C) Groove	3/4"
Grooves	6
Volts	n/a

Ford



KA1670

(A) Diam.	5-3/8"
(B)	n/a
(C) Groove	1-1/16"
Grooves	8
Volts	n/a


Ford



KA1655

(A) Diam.	5"
(B)	n/a
(C) Groove	7/8"
Grooves	6
Volts	n/a


Frigidaire, Harrison



KA1575

(A) Diam.	4-1/4"
(B)	n/a
(C) Groove	7/8"
Grooves	6
Volts	n/a


Frigidaire, Harrison



KA1605

(A) Diam.	4-1/4"
(B)	n/a
(C) Groove	7/8"
Grooves	6
Volts	n/a


Frigidaire, Harrison



KA1610

(A) Diam.	4-1/4"
(B)	n/a
(C) Groove	7/8"
Grooves	6
Volts	n/a


Frigidaire, Harrison



KA1625

(A) Diam.	5-5/8"
(B)	n/a
(C) Groove	7/8"
Grooves	6
Volts	n/a


Frigidaire, Harrison



KA1630

(A) Diam.	4-1/4"
(B)	n/a
(C) Groove	7/8"
Grooves	6
Volts	n/a

Frigidaire, Harrison



KA1585

(A) Diam.	4-1/4"
(B)	n/a
(C) Groove	7/8"
Grooves	6
Volts	n/a

MULTI-GROOVE CLUTCHES (CONTINUED)

Frigidaire, Harrison



KA1595

(A) Diam.	4-1/4"
(B)	n/a
(C) Groove	7/8"
Grooves	6
Volts	n/a

Frigidaire, Harrison



KA1600

(A) Diam.	5"
(B)	n/a
(C) Groove	7/8"
Grooves	6
Volts	n/a

Sanden - 12V



KA1515

(A) Diam.	4-11/16"
(B)	2-5/16"
(C) Groove	27/32"
Grooves	7
Volts	12

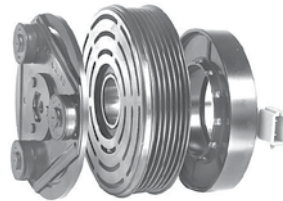
Ford



KA16750

(A) Diam.	5-3/4"
(B)	n/a
(C) Groove	3/4"
Grooves	6
Volts	n/a

Ford



KA16800

(A) Diam.	5-1/8"
(B)	n/a
(C) Groove	n/a
Grooves	6
Volts	n/a

Ford



KA16850

(A) Diam.	4-3/8"
(B)	n/a
(C) Groove	7/8"
Grooves	6
Volts	n/a

TCCI



KA14000

(A) Diam.	6"
(B)	2-5/16"
(C) Groove	9/64"
Grooves	6
Volts	12

TCCI



KA14050

(A) Diam.	5-13/16"
(B)	2-5/8"
(C) Groove	9/64"
Grooves	8
Volts	12

TCCI



KA14100

(A) Diam.	6"
(B)	n/a
(C) Groove	9/64"
Grooves	6
Volts	12

MULTI-GROOVE CLUTCHES (CONTINUED)



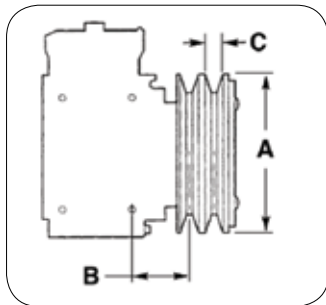
(A) Diam.	5-7/8"
(B)	2-5/8"
(C) Groove	9/64"
Grooves	6
Volts	12



(A) Diam.	5-3/8"
(B)	2-5/16"
(C) Groove	9/64"
Grooves	8
Volts	12



(A) Diam.	6-5/16"
(B)	2-5/16"
(C) Groove	9/64"
Grooves	6
Volts	12



MULTI-GROOVE CLUTCHES SPECIFICATIONS

Table 13-443: Multi-Groove Clutches Specifications

Part No.	(A) Dia.	(B)	(C) Groove	No. of Grooves	Volts	OEM Part No.
FORD						
KA1655	5"	n/a	7/8"	6	n/a	
KA1660	5-3/4"	n/a	3/4"	6	n/a	
KA1670	5-3/8"	n/a	1-1/16"	8	n/a	
KA16750	5-3/4"	n/a	3/4"	6	n/a	
KA16800	5-1/8"	n/a	n/a	6	n/a	
KA16850	4-3/8"	n/a	7/8"	6	n/a	
FRIGIDAIRE/ HARRISON						
KA1575	4-1/4"	n/a	7/8"	6	n/a	
KA1585	4-1/4"	n/a	7/8"	6	n/a	
KA1595	4-1/4"	n/a	7/8"	6	n/a	
KA1600	5"	n/a	7/8"	6	n/a	
KA1605	4-1/4"	n/a	7/8"	6	n/a	
KA1610	4-1/4"	n/a	7/8"	6	n/a	
KA1625	5-5/8"	n/a	7/8"	6	n/a	
KA1630	4-1/4"	n/a	7/8"	6	n/a	
SANDEN - 12V						
KA1515	4-11/16"	2-5/16"	27/32"	7	12	
TCCI						
KA14000	6"	2-5/16"	9/64"	6	12	14432
KA14050	5-13/16"	2-5/8"	9/64"	8	12	522584
KA14100	6"	n/a	9/64"	6	12	518521
KA14800	5-7/8"	2-5/8"	9/64"	6	12	520226
KA14850	5-3/8"	2-5/16"	9/64"	8	12	515376
KA15350	6-5/16"	2-5/16"	9/64"	6	12	522583

Note: All Clutches Ordered By Part Number. They Include Coil And Complete Mounting Hardware. All Keys Are 5/32".

"D" Dimensions: 0.62" On All Double Groove Clutches. Does Not Include Coil (Frigidaire model).

CROSS REFERENCE FOR CLUTCHES

Table 13-444: Clutch Cross Reference

Part No.	Ogura	TCCI	Pitts	Warner	Truck Air	Euclid	Everco	Air Source	Kysor	Red Dot	Red Dot OE
TCCI - 12V											
KA1015	502744		10583	1406-41	02-3010	E-802532	904376	5043	402905	RD5-4992-0	75R4202
KA1090	332334		11153, 12455	1411-15, 1411-72				5041	402917	RD5-4994-0	75R4502
KA1170	502741		10596	1406-44	02-3012	E-802529		5039	402916	RD5-4981-0	75R2552
KA1220	502732		10584	1406-42					402906	RD5-4982-0	75R2702
KA1280	502733		10585	1406-45	02-3032	E-802522	904342	5062	402907	RD5-4983-0	75R2852
KA1450	503272			1406-97					402178		
KA1455	503887								402180		
KA1475	511204		14216			E-802547		5097	402182		
FRIGIDAIRE, HARRISON											
KA1610	502740		10595	1406-19	02-3004	E-802528		5033	402091	RD5-4980-0	75R2402
SANDEN - 12V											
KA1200			7928		02-3008	E-802159	904212	5059	402924	RD5-5489-0	75R1402
KA1345	509285				02-3065	E-802145	904204	5057	402601	RD5-5486-0	75R0202
SELTEC											
KA10550	511869				02-3039	E-802254	904242	5056	402960	RD5-6646-0	75R0182
KA10800	511489								402748		
TCCI											
KA10100	502400		10761	1406-97	02-3015	E-802511	904372	5063	402919	RD5-4995-0	75R4652
KA10350	502742		14193	1411-41, 1466-22	02-3000	E-802500	904412	5041	402904	RD5-4987-0	73R3452
KA10850	502731				02-3007	E-802520	904360	5036	402900	RD5-4975-0	75R1652
KA10950	502409	024-21942	14262/14190		02-3026	E-802516	904346	5031	402927	RD5-4966-0	75R0302
KA11400	502736		10591	1406-43	02-3009	E-802524	904364	5037	402912	RD5-4976-0	75R1802
KA11900	502738				02-1600	E-802526	904368	5012	402914	RD5-4978-0	75R2102

Part No.	Ogura	TCCI	Pitts	Warner	Truck Air	Euclid	Everco	Air Source	Kysor	Red Dot	Red Dot OE
KA13950	501939/ 332639	024-21590	14261/14192	1411-39, 1406-21	02-3001	E-802501	904236	5044	402918	RD5-4972-0	75R1202
KA14000		024-25244	14432								
KA14050	522584	024-25247	14372						402188		
KA14600	508888		14191		02-0802				402181		
KA14800	520226	024-25078	14194/14304		02-0804	E-802557		5030			75R0612
KA14850	515376	024-25171	14195					5029	402967		
KA14900	515528		14196		02-0806	E-802561		5032	402184		
KA15250	522582	024-25238	14437						402186		
KA15300			14533						402189		
KA15350	522583	024-25241	14565						402185		
KC10100	508821		11947		02-1605	E-802542	904312		402926	RD5-4991-0	75R4052

CROSS REFERENCE FOR CLUTCHES (CONTINTUED)

Table 13-445: Clutch Cross Reference (Continued)

Part No.	Delco	International	Kenworth	Peterbilt	Volvo	Mack	Freightliner	Ford
KA1015	15-4122	ZGG11550	K332-31	18-01209, 18-02569		IMXA3219		
KA1090	15-4148	ZGG12136	K332-23, K332-29		61103-3606	1MX2416		
KA1170	15-4125	ZGG11562	K332-32			1MX3217		
KA1220	15-4123	ZGG11551						
KA1280		ZGG11552					274264	
KA1450	15-4246	ZGG704004	K332-25			IMXA1279	A22-10761	
KA1455		ZGG704002				IMX246		
KA1475		1669745C91				IMX246		
FRIGIDAIRE, HARRISON								
KA1610	15-4118	ZGG11561			02-7135903	IMXA243		

Part No.	Delco	International	Kenworth	Peterbilt	Volvo	Mack	Freightliner	Ford
----------	-------	---------------	----------	-----------	-------	------	--------------	------

SANDEN - 12V

KA1200		ZGG11529			V1110151			
KA1345		ZGG11207			V1110272			

SELTEC

KA10550		ZGG16355						
KA10800		ZGG16360						

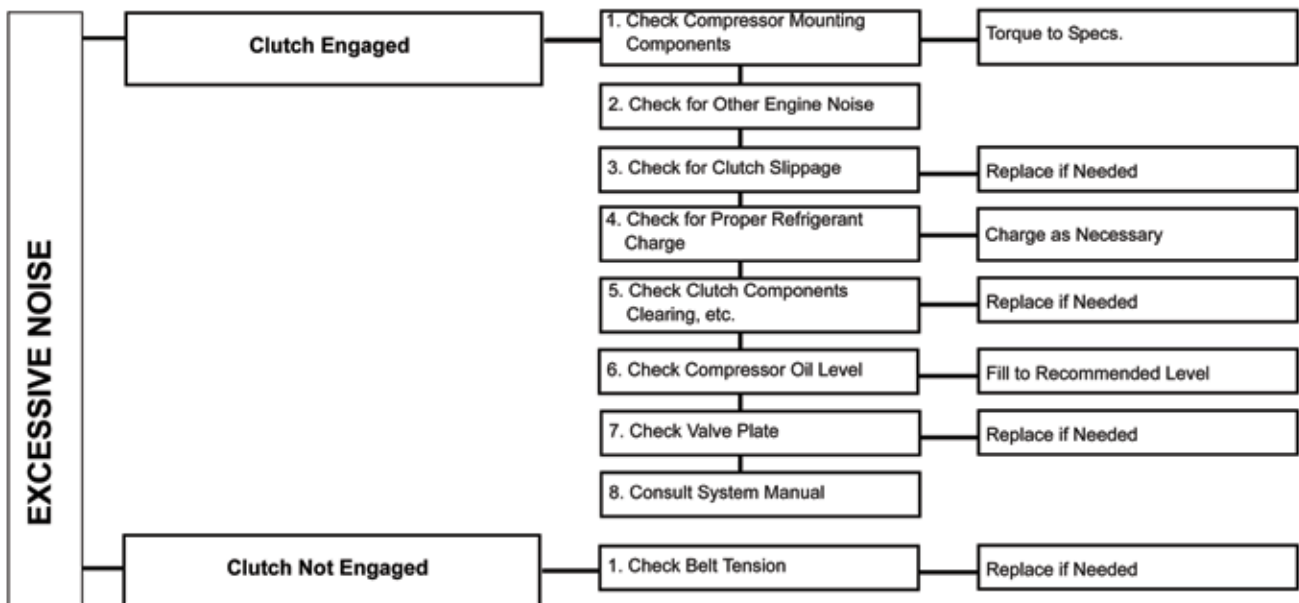
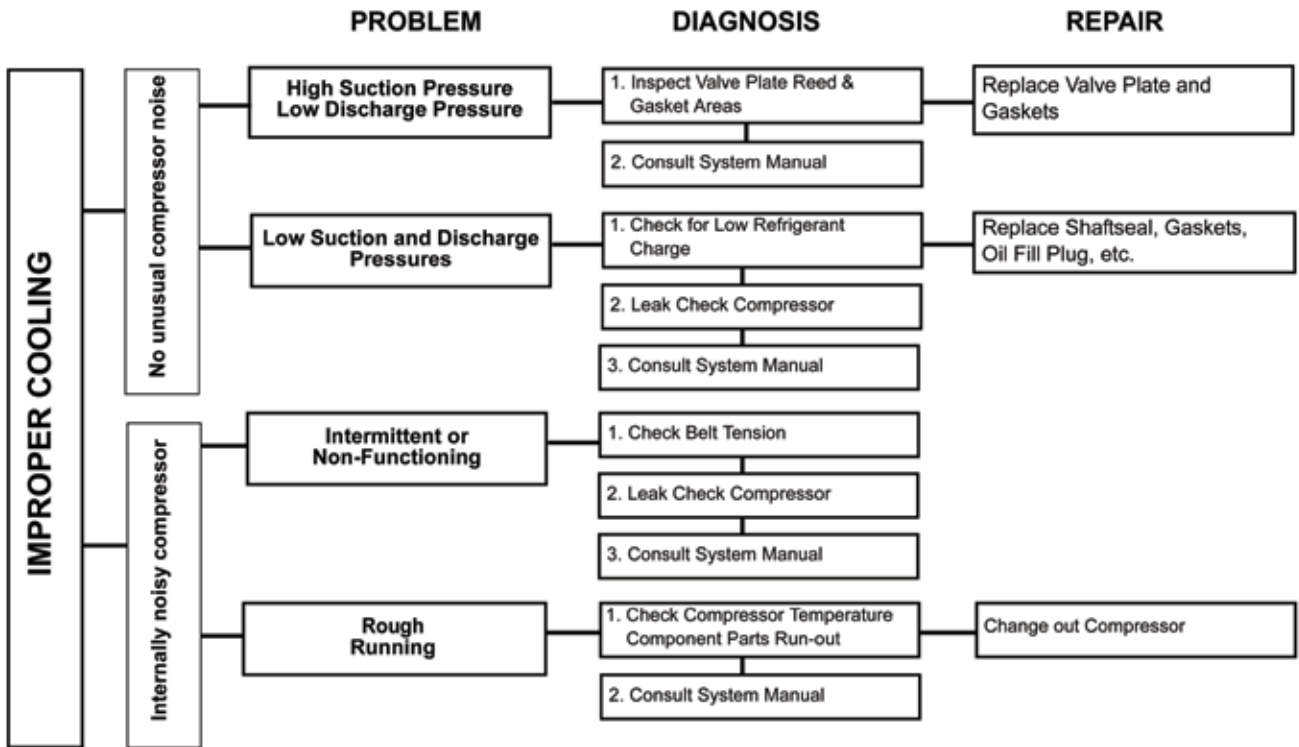
TCCI

KA10100	15-4246	1676659C91	K332-25			IMXA1279	A22-10761	
KA10350	14-4121	1669746C91	K332-29	18-01866		IMX246	A22-22498-000	
KA10850		ZGG11549	K332-40	18-01843, 18-02567	02-7010496	IMXA3217	A22-22499	
KA10950		ZGG19311/ 481800C91	K332-62-2			1MX41281	024-21942	
KA11400	15-4124	ZGG11557	K332-43, K332-26	18-01212, 18-02570	02-7001224	208R031	A22-11669	
KA11900		ZGG11559			02-7069618			
KA13950	15-4120	1647566C91/ ZGG11566/ ZGG12135	K332-19, K332-24	18-01210		IMX240	024-25190	C7AZ-2884-B
KA14000		ZGG704000						
KA14050		ZGG19841					024-25247	
KA14600		1653480C92						
KA14800		1687780C92					024-25078	
KA14850		1818128C1						
KA14900		2016403C2						
KA15250		ZGG19776						
KA15300		ZGG704001						
KA15350		ZGG19323	K332-59-7				024-25241	
KC10100		ZGG12293			61103-0004			

COMPRESSORS



COMPRESSORS TROUBLE SHOOTING GUIDE



GM COMPRESSORS

R4, LT R4 & V5 Compressor Identification Chart



Standard Radial
10.0 cu. in.



Lightweight Radial
10.0 cu. in.



V5 5 Cylinder
Compressor

GM R4, LT R4 & V5 COMPRESSORS

Table 13-446: GM Compressors



LE1545, LE1400



LE1555, LE1410



LE1415



LE1420



LE1565, LE1430



LE1380



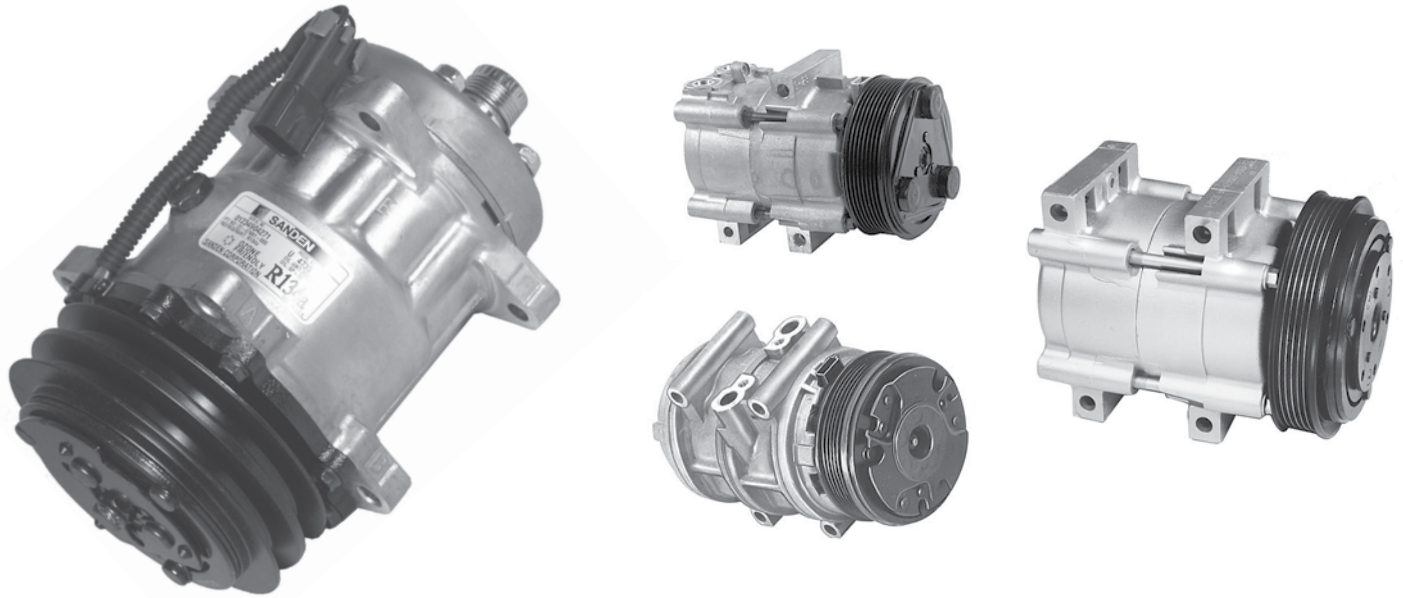
LE1385, LE1570



LE1390



FREON COMPRESSORS



FEATURES & BENEFITS

- » 3 “Bubble” crimp fittings provides excellent crimp integrity and leak protection
- » 1 piece, all-steel fitting design means stronger and more durable connection
- » Unique 5-layer construction provides maximum flexibility and vibration resistance
- » Diode in the harness protects clutch from harmful electrical surges
- » Clutch equipped with rubber dampened armature that increases clutch life by more than 30%

FREON COMPRESSORS

TRP® Freon Compressors feature a superior pad lock design that helps prevent vibration-related fitting leakage. A one-piece, all-steel crimp fitting design allows for stronger and more durable connection. TRP® Freon Compressors are “sealed” with factory nitrogen charge that keeps deadly moisture out of the compressor. Significant moisture damage can occur in as little as two hours of ports being unsealed.

Scan the code for more information.
Get the free mobile app at <http://gettag.mobi>



GM R4, LT R4 & V5 COMPRESSORS (CONTINUED)



GM R4, LT R4 & V5 COMPRESSORS SPECIFICATIONS

Table 13-447: GM R4, LT R4 & V5 Compressors Specifications

Model No.	Mount Type	Clutch Type	Notes	RMFG. No.	New No.
R4	Mertric Thread	1 Groove, 5 1/2" Dia.	High Pressure Switch Type	LE1380	n/a
LTR4-S/S	Mertric Thread	n/a	High Pressure Switch Type	LE1385	LE1570
LTR4-S/S	n/a	6 Groove, 4 1/4" Dia.	High Pressure Switch Type	LE1390	n/a
V5	Ear	6 Groove, 5" Dia.	n/a	LE1395	n/a
LTR4-S/S	Mertric Thread	6 Groove, 4 1/4" Dia.	High Pressure Switch Type	LE1400	LE1545
LTR4-S/S	Mertric Thread	6 Groove, 4 1/4" Dia.	High Pressure Switch Type	LE1405	n/a
LTR4-S/S	n/a	6 Groove, 5" Dia.	High Pressure Switch Type	LE1410	LE1555
LTR4-S/S	n/a	6 Groove, 4 1/4" Dia.	High Pressure Switch Type	LE1415	LE1560
LTR4-S/S	n/a	6 Groove, 4 1/4" Dia.	High Pressure Switch Type	LE1420	n/a
R4	Tangent	6 Groove, 4 1/4" Dia.	High Pressure Switch Type	LE1430	LE1565
V5	Ear	6 Groove, 5" Dia.	n/a	LE1440	n/a
V5	Ear	6 Groove, 4 1/4" Dia.	n/a	LE1445	n/a
R4	Mertric Thread	1 Groove, 4 5/8" Dia.	High Pressure Switch Type	LE1585	n/a
R4	Mertric Thread	6 Groove, 4 1/4" Dia.	High Pressure Switch Type	n/a	LE1520
R4	Mertric Thread	6 Groove, 5" Dia.	High Pressure Switch Type	n/a	LE1525
R4	Mertric Thread	1 Groove, 5" Dia.	High Pressure Switch Type	n/a	LE1540

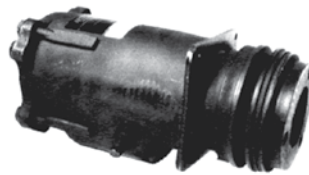
R4

The R4 is a fixed displacement compressor with a step-port design and is shipped without oil or switches. It is designed to meet the OE specifications for performance and durability. The R4 is used primarily on R-12 vehicles (pre-1994). The R4 is a four cylinder, radial style compressor.

V5

This variable displacement compressor has five pistons that adjusts displacement automatically to match vehicles air conditioning demand. A control valve in the V-5's rear head senses evaporator load and automatically changes displacement to match that load. Unlike cycling clutch air conditioning systems, The V-5's continuous displacement feature results in smooth, continuous compressor operation without any clutch cycling, improving air conditioning performance and fuel economy. The V5 is used on both TXV and orifice tube air conditioning systems.

A6 Compressor Identification Chart



Axial 6 Cylinder - A6
12.6 cu. in

GM A6 COMPRESSORS



LJ1035

GM A6 COMPRESSORS SPECIFICATIONS

Table 13-448: GM A6 Compressors Specifications

Model No.	Mount Type	Clutch Type	Notes	RMFG No.	New No.
A6	n/a	1 Groove, 5 5/8" Diameter	R-12, 10:00 Coil Position, No Switch, CW Rotation w/ Mineral Oil, 12V	n/a	LJ1035
A6	n/a	1 Groove, 6 7/8" Diameter	10:00 Coil Position, Superheat Switch, 24V	LJ1005	n/a

GENERAL SPECIFICATIONS

- Six cylinder axial configuration
- Bore: 38.1mm (1.5 in.)
- Stroke: 30.2mm (1.2 in.)
- Displacement: 207cc (12.6 cu. in., 177cc/10.8 cu. in., and 151cc/9.2 cu. in. also available)
- Refrigerant: R134a or R12
- Oil Charge: 10 oz. PolyAlkyleneGlycol Oil (R134a) or 525 Viscosity Mineral Oil (R12)
- Maximum Speed: 6500 RPM continuous, 7500 RPM intermittent
- Clutch Coil: 12 Volt DC or 24 Volt DC
- Resettable high Pressure Relief Valve
- Rotation: Clockwise or Counter Clockwise
- Single, Double or Poly-Vee Pulleys available
- Integral Compressor Protection and System Control Switches available.

A6 DESIGN FEATURES & BENEFITS

Reduced O.E. system design and conversion concerns

- A6 compatibility with both R12 and R134a minimizes system design and conversion concerns.

Sufficient cooling capacity

- The A6 207cc (12.6 cu. in.) displacement provides ample capacity to cool even the largest vehicle interior space.

Ease of installation

- Wide range of pulley diameters and groove configurations available from 122.7cc (4.81 cu. in.) to 172cc (6.7 cu. in.).

Reduced overall A/C system noise

- Four-pole electromagnetic clutch machined from forgings provides high inertia, eliminating belt whip.
- Cast iron cylinder case and shell configuration reduces airborne under-hood noise.
- Integral muffler cavities in heads absorbs compressed gas pressure pulses.

Reduced vibration

- Axial six-cylinder mechanism is naturally balanced for low dynamic torque peaks allowing simplified bracket design.
- Electromagnetic clutch machined from forgings provides high inertia to absorb induced vibrations.

Superior durability

- Oil sump and positive displacement oil pump assures lubrication at low speed and low charge conditions.
- Cast iron cylinder case with high strength aluminum pistons and teflon rings provides excellent wear surfaces.
- Cast iron mounting bosses provide rigidity and strength.

Reduced overall A/C system costs

- Integral high pressure relief valve
- Integral compressor protection or system control switch provides reduced system costs over line mounted switches and reduced leak potential because switch installation is leak tested as part of the compressor assembly.
- The high-pressure cut-off switch disengages compressor before high-pressure relief valve opens.
- The fan cycling switch turns the condenser/radiator fan on and off as needed.
- The low-pressure switch disengages the compressor clutch in the event of total refrigerant charge loss and also serves as low ambient switch.
- The superheat switch senses low or partial refrigerant charge. It can be wired to a thermal limiter fuse or low charge indicator lamp.

VALIDATED FOR USE WITH R134A

With over 60 million units produced for use with R12 and R134a refrigerant, the A6 compressor is known as the "Standard of the Industry" for its unparalleled durability and proven reliability.

At 207cc (12.6 cu. in.) displacement, this 6-cylinder compressor is one of the largest displacement compressors on the market today. Its capacity at idle is virtually unmatched in the compressor marketplace, and it has a proven record of superior, long-term durability.

The A6 compressor mechanism consists of three double-ended pistons driven by an axial plate and shaft assembly.

The cylinder and heads are cast iron, providing superior durability and noise absorption. An integral oil sump and positive displacement oil pump assure mechanism lubrication at low refrigerant flow conditions (idle) and even at low refrigerant charge.

A6, HR6 & HT-6 Compressor Identification Chart



Downsize Axial 6 Cylinder - DA6/HR6
12.6 cu. in



HT-6 6 Cylinder Axial Compressor
12.6 cu. in

GM A6, HR6 & HT-6 COMPRESSORS



GM A6, HR6 & HT-6 COMPRESSORS SPECIFICATIONS

Table 13-449: GM A6, HR6 & HT-6 Compressors Specifications

Model No.	Mount Type	Clutch Type	Notes	RMFG No.	New No.
HT-6	Tangent	6 Groove, 4 1/4" Diameter	1 Plug Port	LE1425	LE1300
HT-6	Tangent	6 Groove, 5" Diameter	Pressure Relief Valve	LE1435	LE1570
HR6	Metric Thread	1 Groove, 5" Diameter	2 Ports	LE1590	n/a
HR6	Metric Thread	No Clutch	2 Ports	LE1595	n/a

GM HT-6 SPECIFICATIONS

Table 13-450: GM HT-6 Specifications

Parameters	Requirements
Type	6 Cylinder, Axial Swash Plate Mechanism
Capacity (200 rpm)	7626 Watts
Displacement	164 cc
Dimensions	Length 228.0mm Diameter 118.0 mm
Dry Weight	6.8kg (w/ Clutch Assy.
Operating Speed	7500 rpm, Maximum Cycling 9000 rpm, Maximum Continuous 12000 rpm, Transient
Refrigerant	R-134A
High Pressure Relief Valve Setting	3171-4137 kPa
Rotation	Clockwise (Counter-Clockwise also available)

Description

With over 40 years of design improvements, the 6-cylinder axial-type HT-6 compressor is one of the lightest, most efficient 164 cc displacement compressors available today.

Typical Application

Compact size, configuration flexibility, and a host of design and performance options make the HT-6 the right choice for trucks, farm equipment, and other off-highway commercial vehicle applications.

Performance Advantages

A proven axial-type mechanism, together with an uncompromising quality assurance program, make the HT-6 extremely reliable. It has better lubrication features and less noise and vibration than any other axial-type compressor design. Its internal gas attenuation feature eliminates the need for system mufflers or large, bolt-on manifolds on most applications. Several special options are available on the HT-6, including: various pulley and clutch configurations; protection devices and control switches; various porting and mounting configurations; and adaptability to 12 or 24 volt mobile systems.

Feature	Benefits
Axial-type mechanism with internal gas attenuating chambers lubrication	Efficient performance with reduced noise and vibration, and enhanced lubrication
Die-cast aluminum construction	Lightweight
Compact size	Excellent packaging options

FORD COMPRESSORS

FS-6 Compressor Identification Chart



Downsize Axial 6 Cylinder - DA6/HR6
12.6 cu. in



HT-6 6 Cylinder Axial Compressor
12.6 cu. in



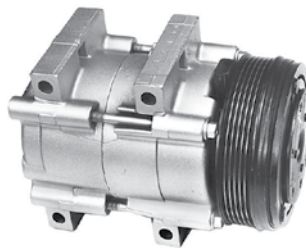
Downsize Axial 6 Cylinder - DA6/HR6
12.6 cu. in



HT-6 6 Cylinder Axial Compressor
12.6 cu. in

All FS-6 Compressors are 6 Cylinder Axial Type (10.4 cu. in.)

FS-10, FX-15 Compressor Identification Chart



5 Cylinder Axial Compressor
10.4 cu. in

FORD COMPRESSORS

Table 13-451: GM Compressors



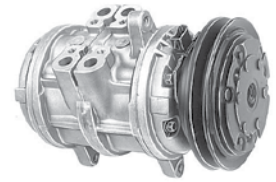
LE1450, LE1310



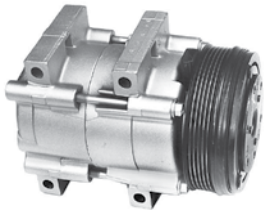
LE1455, LE1315



LE1460, LE1320



LE1465, LE1325



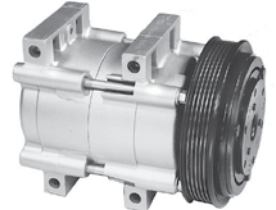
LE1470



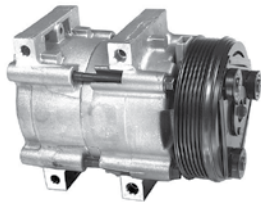
LE1475, LE1335



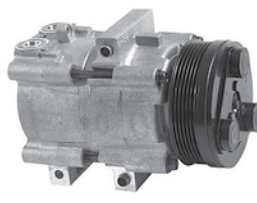
LE1480, LE1340



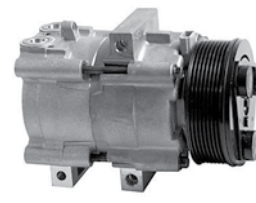
LE1485, LE1345



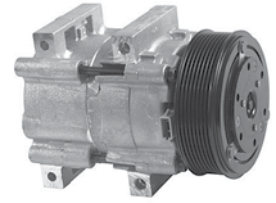
LE1490, LE1350



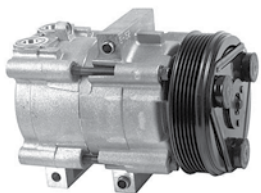
LE1495, LE1355



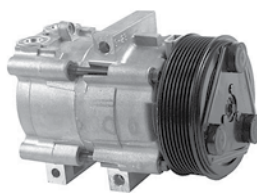
LE1500, LE1360



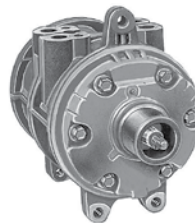
LE1505, LE1365



LE1510, LE1370



LE1510, LE1375



LE1580

FORD COMPRESSORS SPECIFICATIONS

Table 13-452: Ford Compressors Specifications

Model No.	Mount Type	Clutch Type	RMFG No.	New No.
FS6	Tangent	6 Groove, 4 3/4" Diameter	LE1310	LE1450
FS6	Ear	6 Groove, 4 3/4" Diameter	LE1315	LE1455
FS6	Ear	1 Groove, 6" Diameter	LE1320	LE1460
FS6	Ear	1 Groove, 6" Diameter	LE1325	LE1465
FX15	Tangent, 8mm Holes	6 Groove, 5 3/4" Diameter	LE1335	LE1475
FX15	Tangent, 10mm Holes	6 Groove, 5" Diameter	LE1340	LE1480
FX15	Tangent, 10mm Holes	6 Groove, 5 3/4" Diameter	LE1345	LE1485
FS10	Tangent, 8mm Holes	6 Groove, 5 1/8" Diameter	LE1350	LE1490
FS10	Tangent	6 Groove, 4 1/2" Diameter	LE1355	LE1495
FS10	Tangent	8 Groove, 5 3/8" Diameter	LE1360	LE1500
FS10	Tangent	8 Groove, 5 3/32" Diameter	LE1365	LE1505
FS10	Tangent	6 Groove, 5 1/8" Diameter	LE1370	LE1510
FS10	Tangent	8 Groove, 5 1/8" Diameter	LE1375	LE1510
FS6	n/a	n/a	LE1580	n/a

SANDEN R-12 COMPRESSORS

Table 13-453: Sanden R-12 Compressors



SANDEN R-12 COMPRESSORS SPECIFICATIONS

Table 13-454: Sanden R-12 Compressors Specifications

Part No.	Sanden No.	Sanden Model No.	Mount Type	Clutch Style	Clutch Type	Volt	Head Type	Connector	Cylinder Head	Oil Amount	Sanden Clutch Assembly No.
5425	5425	SD508	EAR	C	1 Groove 158mm	12V	HD	BULLET	FG	210cc.	6521-6010
5748	5748	SD510	EAR	E	7 Groove 119mm	12V	HD	BULLET	FG	210cc.	6520-6010
4663SAN	7621	SD709	EAR	A	2 Groove 122mm	12V	STD	BULLET	FC	210cc	9435-6210
9114	9114	SD510	EAR	B	2 Groove 132mm	12V	HD	BULLET	C	135cc.	6519-6010
n/a	9284	SD508	EAR	D	1 Groove 122mm	12V	STD	BULLET	K	175cc.	8545-6011
9676	9676	SD510	EAR	C	1 Groove 158mm	24V	HD	BULLET	FG	135cc.	6521-6010
5749SAN	5749	SD510	EAR	F	8 Groove 119mm	12V	HD	BULLET	K	210cc	n/a
9026SAN	9026	SD508	EAR	B	2 Groove 132mm	12V	HD	BULLET	M	210cc	6519-6010
9103SAN	9103	SD510	EAR	B	2 Groove 132mm	12V	HD	BULLET	B	135cc.	6519-6010
9119SAN	9119	SD510	EAR	C	1 Groove 158mm	12V	HD	BULLET	C	135cc.	6521-6010
9514SAN	9514	SD508	EAR	D	1 Groove 122mm	12V	HD	BULLET	FG	210cc	8545-6310
9537SAN	9537	SD508	EAR	E	7 Groove 119mm	12V	STD	BULLET	T	175cc	6520-6010
LE1230	9592	SD508	EAR	D	1 Groove 122mm	12V	HD	PACKARD	M	210cc	6519-6010
LE1235	5407	SD508	EAR	B	2 Groove 132mm	24V	HD	PACKARD	FG	175cc	n/a
LE1280	9674	SD510	EAR	B	2 Groove 132mm	24V	HD	n/a	n/a	n/a	n/a


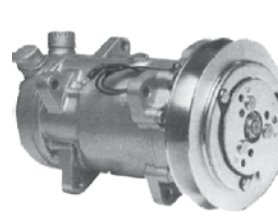
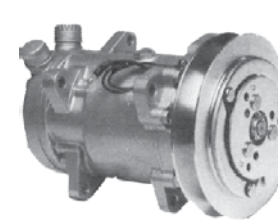
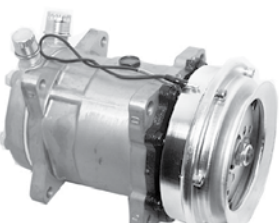




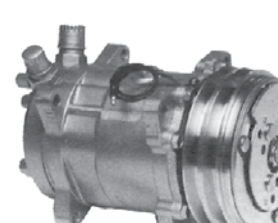



SANDEN R-12 COMPRESSOR ONLY SPECIFICATIONS

Table 13-455: Sanden R-12 Compressor Only Specifications

Part No.	Sanden No.	Model No.	Mount Type	Cylinder Head	Porting Suction	Porting Discharge	Orientation	Oil Amount
LE1070	92843	SD508	EAR	K	#10 TUBE-O (7/8")	#8 TUBE-O (3/4")	H	175cc.
LE1180	95143	SD508	EAR	FG	#10 TUBE-O (7/8")	#8 TUBE-O (3/4")	V	210cc.

SANDEN R134A COMPRESSOR ONLY SPECIFICATIONS

Table 13-456: Sanden R-134A Compressors

			
4511SAN	4514SAN	4515SAN	4516SAN
			
4530SAN	4626SAN	4645SAN	4647SAN
			
4664SAN	4672SAN	4695-9910	4271SAN
			
LE1145	LE1275	LE1290	LE1305



SANDEN R-134A COMPRESSORS SPECIFICATIONS

Table 13-457: Sanden R-134A Compressors Specifications

Part No.	Sanden No.	Model No.	Mount Type	Clutch Style	Clutch Type (Grooves, mm)	Volt	Head Type	Connector	Cylinder Head	Oil Amount	Clutch
4303	4303/4422	SD7H15	DIRECT	G	8 Grvs 119mm	12V	HD	n/a	WH	n/a	n/a
n/a	4304/4423	SD7H15	DIRECT	Q	6 Grvs 125mm	12V	HD	n/a	WJ	n/a	n/a
n/a	4305/4427	SD7H15	EAR	G	8 Grvs 119mm	12V	HD	n/a	WJ	n/a	n/a
4271SAN	4506	SD5H14	EAR	B	2 Grvs 132 mm	24V	HD	BULLET	FL	210cc.	6519-6210
4306SAN	4306/4428	SD7H15	DIRECT	B	2 Grvs 132 mm	12V	HD	n/a	KCA	n/a	n/a
n/a	4453/4495	SD7H15	EAR	G	8 Grvs 119mm	12V	HD	n/a	GV	n/a	n/a
n/a	4470/4602	SD7H15	DIRECT	1	1 Grvs 169mm	12V	N/A	WH	N/A	n/a	n/a
n/a	4472/4429	SD7H15	EAR	B	2 Grvs 132 mm	12V	HD	n/a	GH	n/a	n/a
n/a	4474/7804	SD7H15	DIRECT	G	8 Grvs 119mm	12V	HD	n/a	WH	n/a	n/a
4493SAN	4493/4892	SD7H15	DIRECT	N	8 Grvs 130mm	12V	HD	n/a	WV	n/a	n/a
4494SAN	4494/4891	SD7H15	DIRECT	Q	6 Grvs 125mm	12V	HD	n/a	WV	n/a	n/a
n/a	4497/4704	SD7H15	EAR	B	2 Grvs 132 mm	12V	HD	n/a	SJ	n/a	n/a
4511SAN	4511	SD5H14	EAR	C	1 Grvs 158mm	12V	HD	BULLET	C	240cc.	6521-6010
4513SAN	4513	SD5H14	EAR	B	2 Grvs 132 mm	12V	STD	BULLET	M	210cc.	6514-6210
4514SAN	4514	SD5H14	EAR	E	7 Grvs 119mm	12V	STD	BULLET	FL	210cc.	6520-6010
4515SAN	4515	SD5H14	EAR	C	1 Grvs 158mm	12V	HD	BULLET	FL	240cc.	6521-6010
4516SAN	4516	SD5H14	EAR	C	1 Grvs 158mm	24V	HD	BULLET	FL	240cc.	6521-6010
4529SAN	4529	SD5H14	EAR	B	2 Grvs 132 mm	12V	HD	BULLET	C	210cc.	6519-6010
4530SAN	4530	SD5H14	EAR	D	1 Grvs 122mm	12V	STD	BULLET	FL	210cc.	8545-6310

Part No.	Sanden No.	Model No.	Mount Type	Clutch Style	Clutch Type (Grooves, mm)	Volt	Head Type	Connector	Cylinder Head	Oil Amount	Clutch
4600	4600	SD7H15	EAR	Q	6 Grvs 125mm	12V		n/a	JD	270cc.	6589-6010
4617SAN	4617	SD7H15	EAR	B	2 Grvs 132 mm	12V		BULLET	MD	300cc.	6585-6010
4626SAN	4626	SD7H15	DIRECT	B	2 Grvs 132 mm	12V	HD	PACKARD	JD	300cc.	4626-9931
4645SAN	4645	SD7H15	EAR	E	7 Grvs 119mm	12V	HD	PACKARD	JDA	300cc.	4545-9931
4647SAN	4647	SD7H15	EAR	B	2 Grvs 132 mm	12V	HD	PACKARD	JDA	240cc.	4647-9931
4663SAN	4663	SD7H15	EAR	A	2 Grvs 125 mm	12V	STD	BULLET	JD	135cc.	6560-6010
4664SAN	4510/6664	SD5H14	EAR	B	2 Grvs 132 mm	12V	HD	BULLET	FL	210cc.	6519-6010
4672SAN	4672	SD7H15	EAR	R	8 Grvs 119mm	12V	HD	PACKARD	MDA	300cc	4672-9931
4695-9910	4695-9910				n/a						
4699	4699	SD7H15	DIRECT	B	2 Grvs 132 mm	12V	HD	PACKARD	JD	300cc.	6594-6010
4739SAN	4739	SD7H15	EAR	G	8 Grvs 119mm	12V	HD	PACKARD	KG	300cc.	4776-9931
4810	4810/4423	SD7H15	DIRECT	Q	6 Grvs 125mm	12V	HD	n/a	WJ	300cc.	4810-9931
4823SAN	4823	SD7H15	DIRECT	N	8 Grvs 130mm	12V	HD	PACKARD	KC	300cc.	4781-9931
4890SAN	4890/4778	SD7H15	DIRECT	B	2 Grvs 132 mm	12V	HD	PACKARD	WV	300cc.	n/a
4893SAN	4893/4777	SD7H15	EAR	B	2 Grvs 132 mm	12V	HD	PACKARD	WV	300cc.	n/a
4894SAN	4894/4780	SD7H15	DIRECT	B	2 Grvs 132 mm	12V	HD	PACKARD	JD	300cc.	n/a
4895SAN	4895/4781	SD7H15	EAR	N	8 Grvs 130mm	12V	HD	PACKARD	KC	300cc.	n/a
4896SAN	4896/4779	SD7H15	EAR	A	2 Grvs 125 mm	12V	HD	PACKARD	JD	300cc.	n/a
LE1085	4667	SD7H15	DIRECT	F	8 Grvs 119mm	12V	STD	PACKARD	KC	240cc.	4667-9931
LE1145	4627	SD7H15	EAR	A	2 Grvs 125 mm	12V	HD	PACKARD	JD	300cc.	4627-9931
LE1275	7803	SD7H15	EAR	A	2 Grvs 125 mm	12V	N/A	n/a	QM	n/a	n/a
LE1290	7819	SD7H15	EAR	A	2 Grvs 125 mm	12V	N/A	BULLET	MD	150cc	6560-6010
LE1305	4735/4471	SD7H15	EAR	B	2 Grvs 132 mm	12V	N/A	N/A	MJA	300cc	4752-9931
LE1620	4644	SD7H15	EAR	B	2 Grvs 132 mm	12V	HD	PACKARD	JDA	300cc.	4647-9931
LE1630	4544/4816	SD7H15	DIRECT	G	8 Grvs 119mm	12V	HD	PACKARD	GWA	300cc.	4776-9931
LE1695	4473/4430	SD7H15	DIRECT	Q	6 Grvs 125mm	12V	HD	n/a	GH	n/a	n/a
LE4603	4603/4469	SD7H15	EAR	B	2 Grvs 132 mm	12V	N/A	n/a	WJ	n/a	n/a
LE4815	4546/4815	SD7H15	DIRECT	Q	6 Grvs 125mm	12V	HD	PACKARD	GWA	300cc.	4756-9931

CROSS REFERENCE FOR SANDEN R12 TO R134 COMPRESSOR & CLUTCH

Table 13-458: Sanden R12 to134A Compressor & Clutch Cross Reference

Compressor/Clutch Assy.		Compressor Only		Clutch Assy.		R134A Replacement	
Part No.	Sanden No.	Part No.	Sanden No.	Part No.	Sanden No.	Part No.	Sanden No.
5425	5425			6521-6010	6521-6010		n/a
n/a	5726			KA1230	8545-6310	4530SAN	4530
5749SAN	5749				n/a		n/a
7621	7621				9435-6210		n/a
9026SAN	9026			KA1075	6519-6010	4513SAN	4513
9103SAN	9103			KA1075	6519-6010	4664SAN	4510
9114	9114			KA1075	6519-6010	4529SAN	4529
9119SAN	9119			6521-6010	6521-6010	4511SAN	4511
n/a	9284	LE1070	92843	8545-6011	8545-6011		n/a
9514SAN	9514	LE1180	95143	KA1230	8545-6310	4530SAN	4530
9537SAN	9537			KA1340	6520-6010	4514SAN	4514
9676	9676	LE1190	96763	6521-6210	6521-6210	4516SAN	4516

SANDEN CLUTCH VARIATIONS

One Wire

Two Wire

Double Groove
STYLE A
 125mm
STYLE B
 132mm

Single Variable Groove
STYLE C
 158mm

Single Offset Groove
STYLE D
 122mm
STYLE R
 138mm

7 Poly Groove
STYLE E
 119mm

8 Poly Groove
STYLE F
 119mm
STYLE S
 133mm

6 Poly Groove
STYLE G
 119mm

10 Poly Groove
STYLE H
 125mm

Double Groove
STYLE I
 125mm
STYLE J
 132mm
STYLE K
 152mm

7 Poly Groove
STYLE L
 119mm

8 Poly Groove
STYLE M
 119mm
STYLE N
 130mm
STYLE O
 132mm
STYLE P
 152mm

6 Poly Groove
STYLE Q
 125mm



SANDEN CYLINDER HEAD CONFIGURATIONS

STYLE B



Vertical Flare
3/4" x 7/8"

STYLE C



Vertical Tube O-Ring
1" x 14

STYLE FC STYLE FG



Vertical Standard
Tube O-Ring 3/4" x 7/8"

STYLE FL



Vertical O-Ring
3/4" x 7/8"

STYLE GWA



Horizontal Pad Type

STYLE JD



Vertical O-Ring
3/4" x 7/8"

STYLE JDA

STYLE K



Horizontal O-Ring
3/4" x 7/8"

STYLE KC

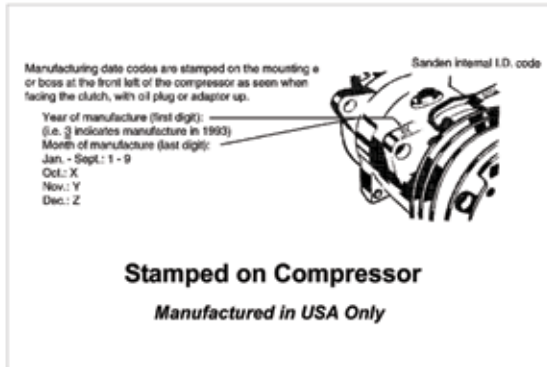
STYLE M



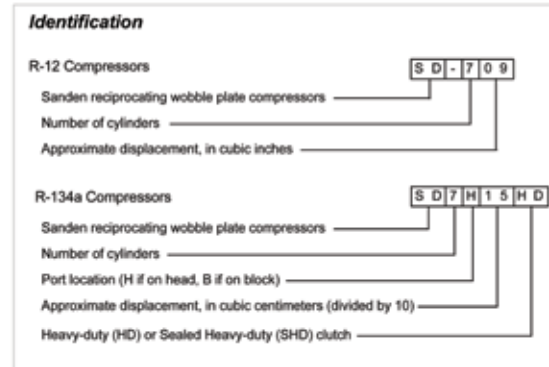
Horizontal Tube O-Ring
1" x 14

SANDEN CODES & CONFIGURATIONS

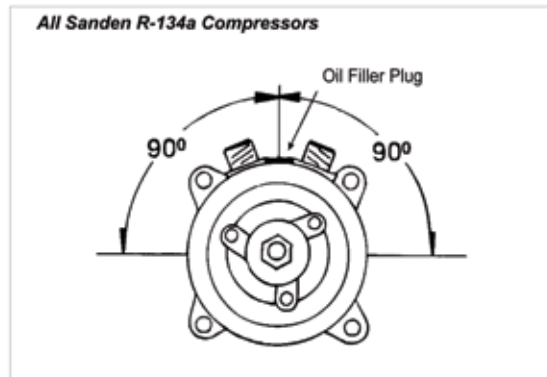
Manufacturing Date Codes



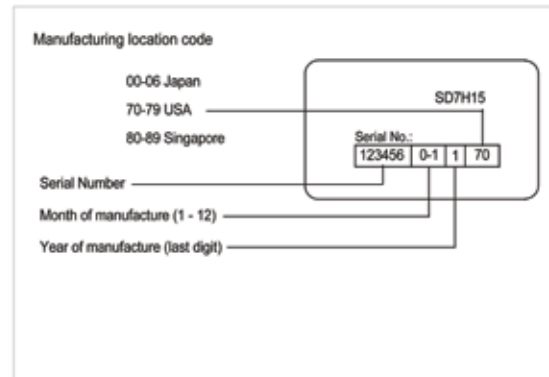
Compressor Nomenclature



Assembly Mounting Angles



Label Configuration



SANDEN R-134A MODEL SPECIFICATIONS

Table 13-459: Sanden R-134A Model Specifications

Model	Refrigerant	Displacement cu.in. (cc)	Typical Weight, lb. (kg.)			Standard Oil Charge			Rotation
			Compressor	Clutch	Assembly	Oil Type	System Type	Amount fl. oz. (cc)	
SD5H14	R-134a	8.4 (138)	11.2 (5.1)	6.0 (2.7)	17.2 (7.8)	SP-20	TXV	7.2±0.5 (210±15)	Either Way
							CCOT	No Standard	
SD7B10	R-134a	6.1 (100)	5.9 (2.7)	3.3 (1.5)	9.2 (4.2)	SP-10	TXV	No Standard	
SD7H13	R-134a	7.9 (129)	9.3 (4.2)	4.6 (2.1)	13.9 (6.3)	SP-20	TXV	4.6±5 (135±15)	
SD7H15/HD	R-134a	9.5 (155)	9.9 (4.5)	5.3 (2.4)	15.2 (6.9)	SP-20	TXV	4.6±0.5 (135±15)	CW only
							CCOT	8.1±0.5 (240±15)	
SD7H15/SHD	R-134a	9.5 (155)	9.9 (4.5)	7.7 (3.5)	17.6 (8.0)	SP-20	TXV	4.6±0.5 (135±15)	CW only
							CCOT	8.1±0.5 (240±15)	

SANDEN R-12 TO R-134A MODEL CONVERSIONS

Table 13-460: Sanden R12 to R-134A Conversions

Type	R-12	R-13A
5 Cylinder	SD-505	SD7B10/SD5H09
	SD-507	SD5H11
	SD-508	SD5H14
	SD-510	SD7H15HD and SD5H14HD
7 Cylinder	SD-706	SD7B10
	SD-708	SD7H13
	SD-709	SD7H15
	SDB-709	SD7B15

BELT TENSION

Table 13-461: Compressors - Belt Tension

Grooves	Tension, lb. (kgf.)*
5 Cylinder	SD-505
	SD-507
	SD-508
	SD-510
7 Cylinder	SD-706
	SD-708
	SD-709
	SDB-709

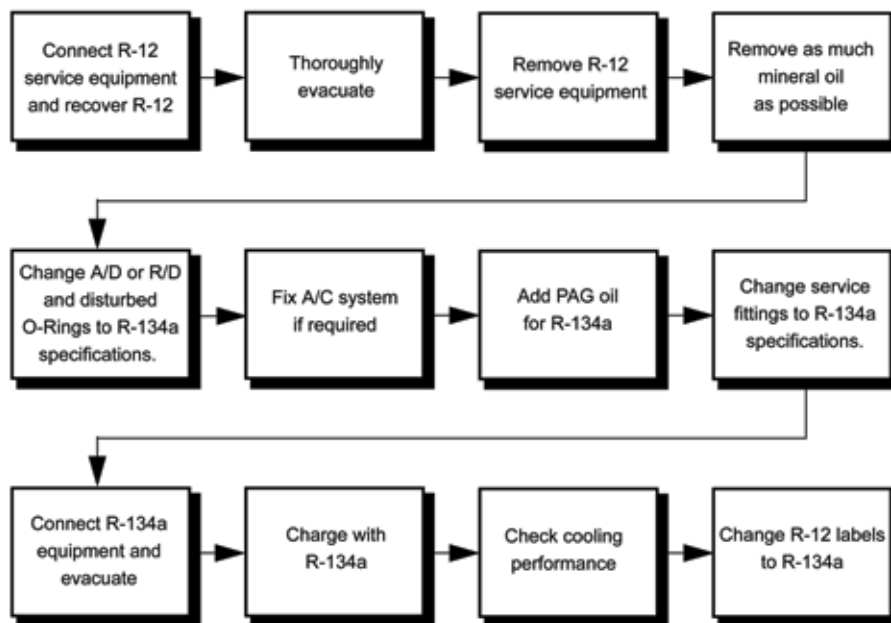
* PolyVee Tension Based On 33 lb (15kgf) Per Groove.

SPEED RATING

Table 13-462: Compressors - Speed Rating

Model	Clutch Type	Max RPM	
		Constant	Downshift
SD5H14	Std.	6,000	7,000
SD5H14	HD	4,000	6,000
SD7B10	All	6,000	7,000
SD7H13	All	6,000	8,000
SD7H15	Std.	6,000	8,000
SD7H15	HD	4,000	6,000
SD7H15	SHD	4,000	4,000

R-12 to R-134a Conversion Procedure



SANDEN/TRP® ALL MAKES INTERCHANGE

Table 13-463: Compressors - Sanden/TRP® All Makes Interchange

Sanden No.	Part No.	Singapore/Japan Interchangeable	Comparable SD508 Models	Comparable SD510 Models	Comparable SD5H14 Models	Comparable SD709 Models	Comparable SD7H15 Models
4502	9119SAN						
4506	6665SAN	6665	5413, 5407	9143, 9674	4507		4741
4510	4664SAN	6664, 8104	9285hd, 9108 See Lead Wire	9103, 9108	4509, 4510	7409, 7621	4663, 4627, 4647, prv/4664
4511	4511SAN	6671		9119, 4502	4511		4747
4513	4513SAN	6631	9264, 4517	9125		7402	7819,4646,4617
4514	4514SAN	6629,8103	9565,9537	9663		7492	4665, 4600
4515	4515SAN	6673	5425	9675			4746
4516	4516SAN	6672		9676			4745
4529	4529SAN	6642	9263, 9519	9114	4525	7401	4706, 4643
4530	4530SAN	6674	9514				
4626	4626SAN						
4627	LE1145	6664, 8104	9285	9103, 9108	4509, 4510	7409, 7621	"4663std, 4647, prv/4664"
4639	4647SAN						
4643	4643SAN	6642	92639519	9114	45254529	7401	4706
4644	LE1620						
4645	4645SAN						
4647	4647SAN	6664, 8104	9285hd, 9108 See Lead Wire"	9103, 9108	4509, 4510	7409, 7621	4663, 4627, 4647, prv/4664
4663	4663SAN		9040			7621	4664
4664	4647SAN	6664, 8104	9285		4509, 4510		4663, 4627, 4643
4665	4645SAN	6629,8103	9565,9537	9663	4514	7492	4600
4666	LE1085						
4667	LE1085						
4672	5748						7822 NO PRV.
4696	4647SAN						

Sanden No.	Part No.	Singapore/Japan Interchangeable	Comparable SD508 Models	Comparable SD510 Models	Comparable SD5H14 Models	Comparable SD709 Models	Comparable SD7H15 Models
4699	4626SAN						
4705	4645SAN						
4713	4647SAN						
5407	LE1235	6665	5413	9143, 9674	4507, 4506		4652, 4741
5413	LE1235	6665	5407	9143, 9674	4507, 4506		4652, 4741
5425	5425	6673		9675	4515		4746
5724	9103SAN						
5725	9103SAN						
5728	9103SAN						
5749	5749SAN						
7621	7621		9040				4663,4664
9026	9026SAN		9279				
9103	9103SAN	66648104	9576, 8389	9108	4509, 4510	7409	4627,4647,4654
9108		66648104	9576, 8389	9103	4509,4510	7409	4627,4647,4655
9114	9114	6642	9263, 9519		4525, 4529	7401	4706, 4643
9119	9119SAN	6671		4502	4511		4647
9514	9514SAN		9594	5746, 5726	4530		
9537	9537SAN	6629	9565	9663	4514	7492 pv8	4665, 4645
9592	LE1230		9284				
9676	9676	6672			4516		4745
9677	9103SAN						
F69-1000	LF0231						
F69-1002	4695SAN						
91143							

SELTEC TO SANDEN INTERCHANGE

Table 13-464: Compressors - Seltec to Sanden Interchange

Part No.	Sanden No.	Seltec No.	
R-12 COMPRESSORS			
5748	5748	488-25120	488-25121
9119SAN	9119	488-26066	
9103SAN	9103	488-26003	
9114	9114	488-25023	
5749SAN	5749	488-25122	
9537SAN	9537	488-25120	488-25121
9514SAN	9514	488-25063	
5425	5425	488-25065	
7621	7621	488-25018	488-25043
R-134A COMPRESSORS			
4511SAN	4511	488-45094	
4647SAN	4647	488-45077	
LE1145	4627	488-45018	488-45043
4515SAN	4515	488-45035	488-45065
4664SAN	4510	488-45011	488-45021
6665SAN	4506	488-45015	488-45056
4516SAN	4516	488-45061	488-45057
4513SAN	4513	488-45039	
4514SAN	4514	488-45120	488-45121
4529SAN	4529	488-45023	
4530SAN	4530	488-45033	
4663SAN	4663	488-45043	488-45018

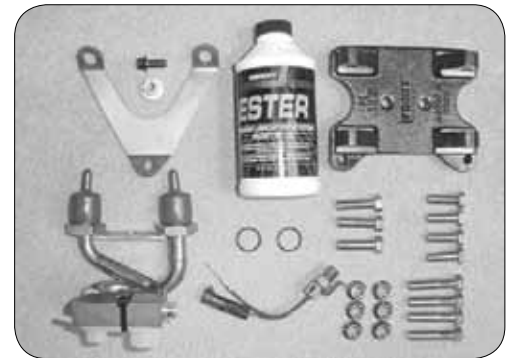
SANDEN CCI COMPRESSOR REPLACEMENT

Benefits

- Sanden's superior reliability makes it the choice for original equipment on all Class 7 & 8 vehicles built today.
- Sanden has a specially designed clutch insuring correct belt alignment while using the OEM-specified drive belt.
- Sanden adaptor kit includes all hardware required to make a complete conversion.
- Sanden provides 4°F. colder louver temperatures in back to back testing at 110°F.
- OEM hose assemblies require NO modifications.
- Eliminate shaft seal leaks and improve customer satisfaction.

Compressor Adapter Kit

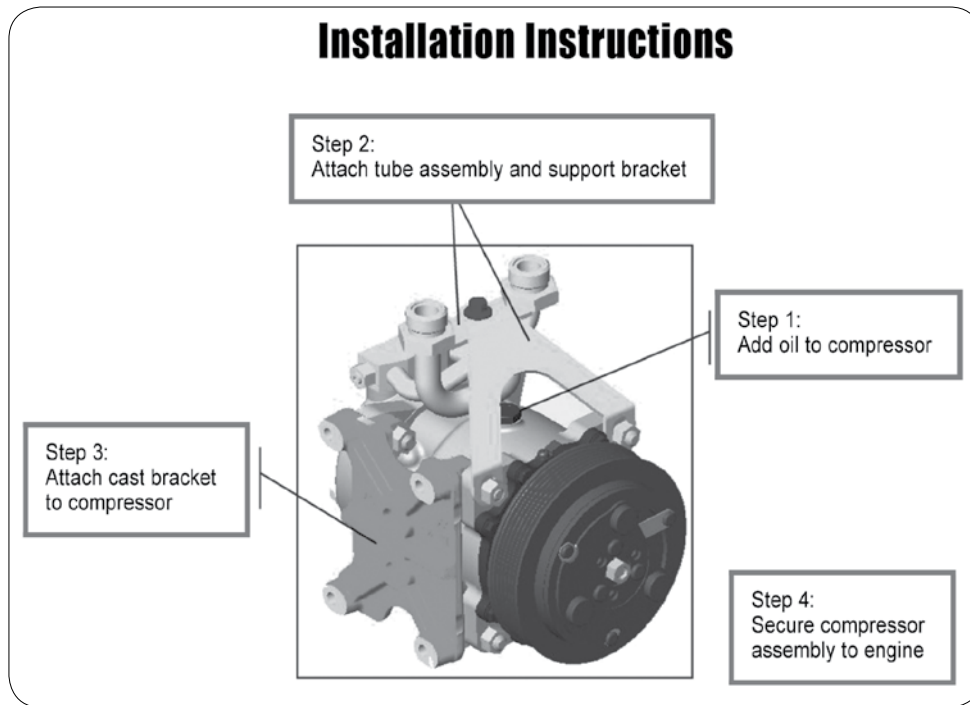
Adaptor kit includes all components and hardware required for complete conversion.



SANDEN CCI COMPRESSOR REPLACEMENT APPLICATION GUIDE

Table 13-465: Sanden CCI Compressor Replacement Application Guide

Applications Guide					
Sanden No.	Manufacturer	Make	Engine	Year(s)	Adapter Kit
4467	International	4000 Series	DT466, DT466E	1994-2001	4467-9740
4318	Kenworth	T-800	Detriot D. (Series 60)	1994-2000	4316-9740
4318	Kenworth	T-800	C-15	2000-2001	4316-9740
4318	Kenworth	T-800	Detriot D. (Series 60)	1994-2000	4316-9740
4318	Kenworth	W-900	Detriot D. (Series 60)	1994-2000	4316-9740
4318	Freightliner	FLD	Detriot D. (Series 60)	1994-2000	4316-9740
4318	Freightliner	Century Class	Detriot D. (Series 60)	1994-2000	4316-9740



TCCI COMPRESSOR SPECIFICATIONS

Table 13-466: TCCI Compressor Specifications

Specifications	209	210
No Cylinders	2	2
Bore, in. mm	1.875 (47.63)	1.875 (47.63)
Stroke, in. mm	1.573 (39.95)	1.866 (47.40)
Disp., cu. in./rev. (cc/rev)	8.69 (142)	10.3 (169)
R.P.M. - Max.	6000	6000
Refrigerant	R-12,22,502,134a & new blends	
Initial Oil Charge, fl. oz. (mil)*	14 (413)	14 (413)
Weight, lbs. (kg.)	14.6 (6.6)	14.6 (6.6)
Lubrication	Splash and Positive Pressure and Oil Return Through Suction Side	



* R-12 Heavy Duty Models Contain 12 fl. oz. (355 ml). * R-134a Heavy Duty Models Contain 14 fl. oz. (413 ml). Some OEM Specifications Are As High As 17 fl. oz. (503 ml).

TCCI COMPRESSOR IDENTIFICATION

Table 13-467: TCCI Compressor Identification

TCCI Part No.	System	Oil	Body	Head	Valves	Clutch	Clutch Part No.	Part No.
ER210L-25149	R-12/R-134a	Ester	Alum.	Rotolock	None	None	RD5-8637-0	LC2000
ET210L-25076C	R-12/R-134a	Ester	Alum.	Tube O-Ring	None	1 Groove w/ Diode	KA1095	LC2100
ET210L-25073C	R-12/R-134a	Ester	Alum.	Tube O-Ring	None	2 Groove w/ Diode	KA1040	LC2100
ET210L-25237C	R-12/R-134a	Ester	Alum.	Tube O-Ring	None	2 Groove w/ dual lead wire	KA1525	LC2100
ET210L-25246C	R-12/R-134a	Ester	Alum.	Tube O-Ring	None	8 Groove w/ dual lead wire	KA1405	LC2100

Note: TCCI Part Numbers That Have a "C" at The End Of Their Part Number Represents a Clutch and Compressor Combo.

SLIM-LINE COMPRESSOR IDENTIFICATION

Table 13-468: Slim-Line Compressor Identification

TCCI Part No.	System	Oil	Body	Head	Valves	Clutch	Clutch Part No.	Part No.
ES210L-25334	n/a	n/a	n/a	n/a	n/a	None	—	LC2140
ES210L-25338C	n/a	n/a	n/a	n/a	n/a	8 Groove w/ dual lead wire	KA1405	LC2165

Note: TCCI Part Numbers That Have a "C" at The End Of Their Part Number Represents a Clutch and Compressor Combo.

GENERIC COMPRESSOR IDENTIFICATION

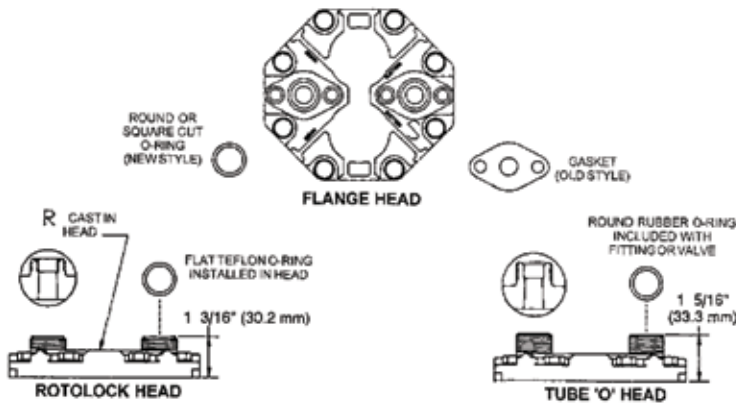
Table 13-469: Generic Compressor Identification

TCCI Part No.	System	Oil	Body	Head	Valves	Clutch	Clutch Part No.	Part No.
T210L-25061	R-12/R-134a	Ester*	Aluminum	Tube O-Ring	None	None	—	LJ1030
R210L-25062	R-12/R-134a	Ester*	Aluminum	Rotolock	None	None	—	LC3005

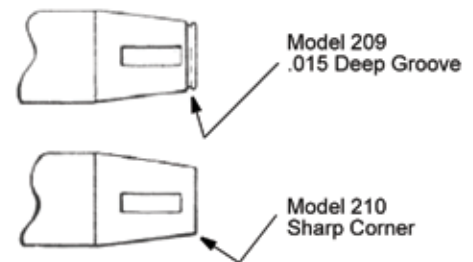
Manufactured with non-critical reconditioned components.

TCCI Compressor Configuration

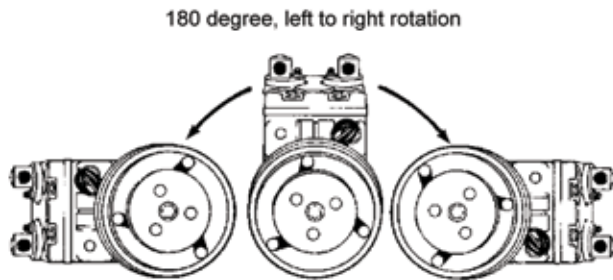
HEAD CONFIGURATION



SHAFT DETAIL COMPRESSOR DISPLACEMENT

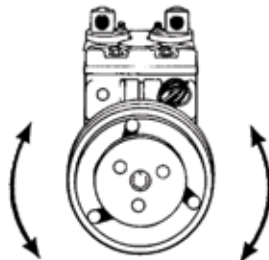


INSTALLATION



NOTE: CCI recommends that when positioning compressor at full 90 degree horizontal, suction side should be on "top".

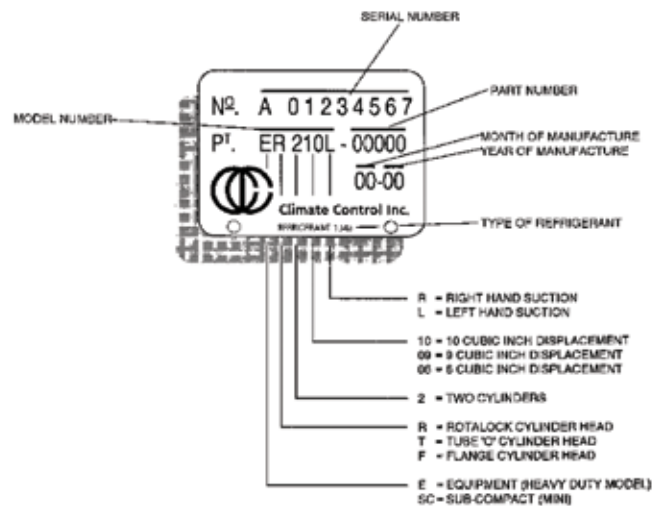
Clockwise or counterclockwise rotation



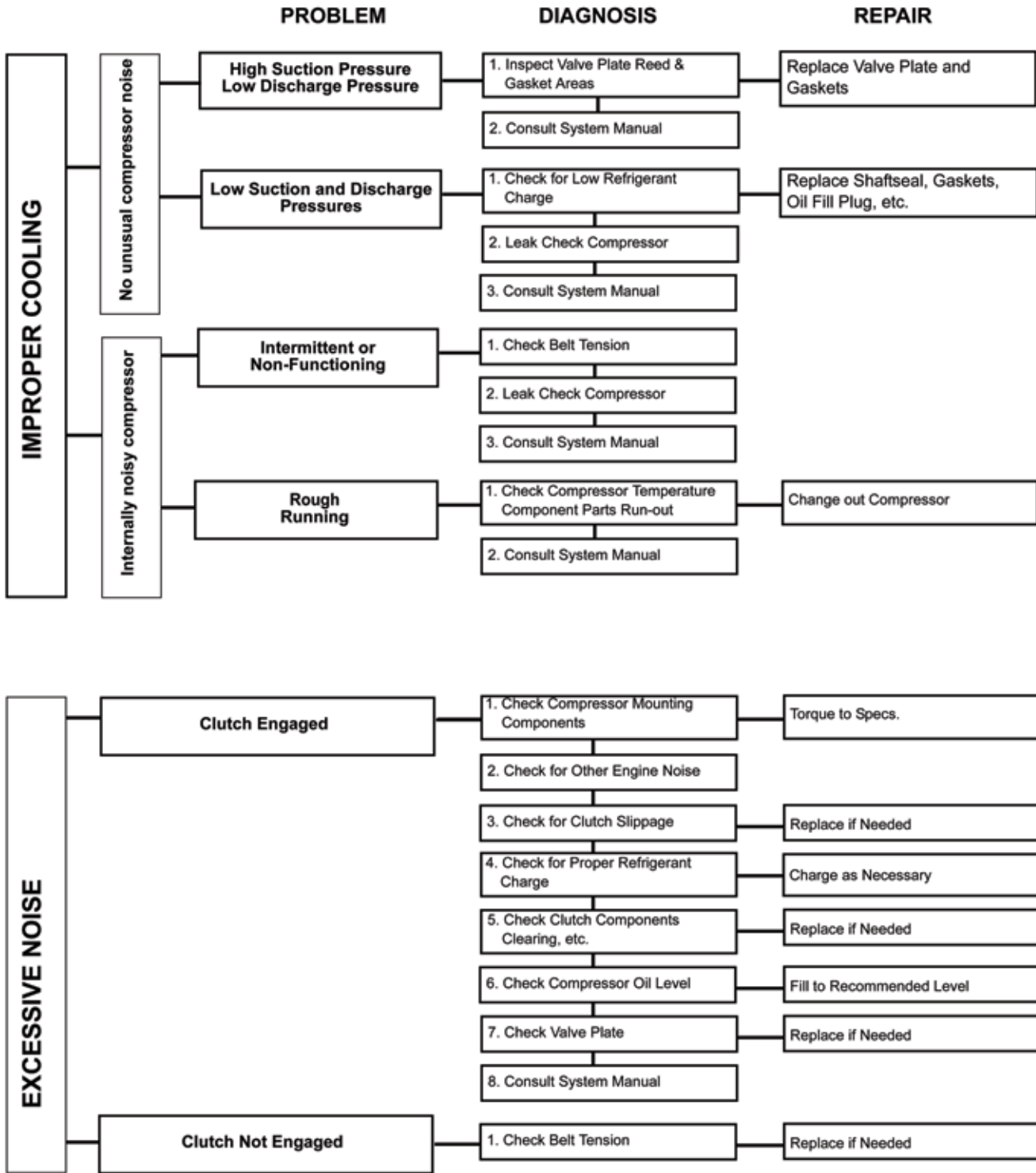
CCI NAMEPLATE

The metal nameplate located at the top front of the compressor serves as a means of identification. The location permits viewing the nameplate with the clutch installed.

Date inscribed on the nameplate includes the serial number, combination model/part number, date of manufacture, and type of refrigerant.



COMPRESSORS TROUBLE SHOOTING GUIDE



TCCI TO NEW UNIVERSAL INTERCHANGE

Table 13-470: TCCI to New Universal Interchange

Old TCCI Part No.	New CCI Part No.	Part No.	Clutch No.
ET210L-25030C	ET210L-25076C	LC2000	KA10950
ET210L-25007C	ET210L-25073C	LC2000	n/a
ET210L-25073C	No Change	LC2100	n/a
ER210L-20300	ER210L-25149	LC2100	n/a
ER210L-21001	ER210L-25149	LC2100	n/a
ER210L-21237	ER210L-25149	LC2100	n/a
ER210L-21562	ER210L-25149	LC2100	n/a
ER210L-21569	ER210L-25149	LC2100	n/a
ER210L-21570	ER210L-25149	LC2100	n/a
ER210L-21572C	ER210L-25149	LC2100	KA10950
ER210L-21574C	ER210L-25149	LC2100	KA10950
ER210L-21643C	ER210L-25149	LC2100	KA10950
ER210L-16842	ER210L-25149	LC2100	n/a
New	ET210L-25237C	LC2100	n/a

GENERIC COMPRESSORS

T210L-21160	T210L-25061	LJ1030
R210L-21237	R210L-25062	LC3005

TCCI COMPRESSOR ENGINE APPLICATION TABLE

Table 13-471: TCCI Compressor Engine Application Table

Make	Engine Application	OEM Part No.	Compressor Part No.	Clutch Part No.
Freightliner	Detroit Series 60, CAT 3406, Cummins L10 & M11	ET210L-25073C	LC2100	KA10400
Freightliner	Cummins N14	ET210L-25073C	LC2100	KA10400
Freightliner	Detroit Series 50	ET210L-25073C	LC2100	KA10400
Freightliner	Detroit Series 60, CAT 3406, Cummins M11	ET210L-25237C	LC2100	KA15250
Freightliner	Cummins N14	ET210L-25237C	LC2100	KA15250
Freightliner	Cummins ISX, CAT C15 & C16	ET210L-25240C		KA15350
Freightliner	Detroit Series 55	ET210L-25240C		KA15350
Freightliner	Detroit Series 60 with pad mount bracket	ET210L-25246C	LC2100	KA14050
International	Detroit Series 50 & 60, International DT466E & DT530E, CAT C15 & C16	2509451C91, ET210L-25404C		KA14800
International	CAT C-10 & C-12, Cummins N14	2509452C91, ET210L-25405C		KA14600
International	International DT360 & DT466	2509453C91, ET210L-25406C		KA14900
International	CAT 3406	2509454C91, ET210L-25407C		KA10400
International	International T444E	2509455C91, ET210L-25408C		KA14850
International	Cummins L10 & M11	2509456C91, ET210L-25409C		KA10350
Kenworth	Detroit Series 60, CAT 3406, Cummins L10 & M11	ET210L-25073C	LC2100	KA10400
Kenworth	Detroit Series 60, CAT 3406, Cummins M11	ET210L-25237C	LC2100	KA15250
Kenworth	Cummins ISX, CAT C15 & C16	ET210L-25240C		KA15350
Kenworth	Detroit Series 60 with pad mount bracket	ET210L-25246C	LC2100	KA14050
Mack	E-Tech Engine	ET210L-25240C		KA15350
Western Star	Detroit Series 60, CAT 3406, Cummins L10 & M11	ET210L-25073C	LC2100	KA10400
Western Star	Detroit Series 60, CAT 3406, Cummins M11	ET210L-25237C	LC2100	KA15250
Western Star	Cummins ISX, CAT C15 & C16	ET210L-25240C		KA15350
Western Star	Detroit Series 60 with pad mount bracket	ET210L-25246C	LC2100	KA14050

COMPRESSOR SPECIFICATIONS



R-12 COMPRESSOR SPECIFICATIONS

Table 13-472: R-12 Compressor Specifications

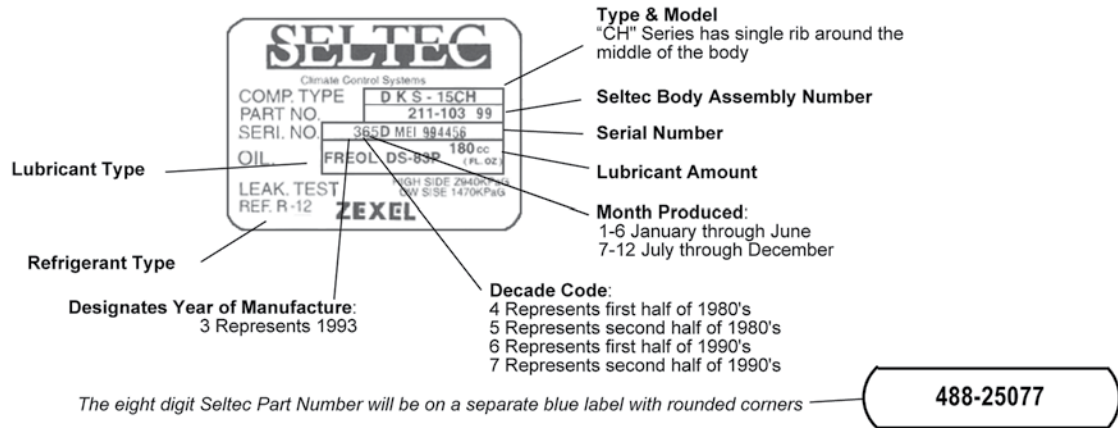
Part No.	Seltec No.	Model No.	Clutch Type	Clutch Type	Head Type	Volt	Mount Type	Oil
TM-15HD								
LF1005	488-25011	TM-15HD	A	135mm 5 1/4", 2 Groove	D	12	Ear	Mineral

SELTEC/ICE R-134A COMPRESSOR SPECIFICATIONS

Table 13-473: Seltec/ICE R-134A Compressor Specifications

Part No.	Seltec No.	Model No.	Clutch Type	Clutch Type	Head Type	Volt	Mount Type	Oil
TM-15HD								
435-55011	488-45011	TM-15HD	A	135mm 5 1/4", 2 Groove	D	12	Ear	PAG
435-55065	488-45065	TM-15HD	F	6 1/4", Variable Groove	D	12	Ear	PAG
103-55077	488-45077	TM-15HD	A	135mm 5 1/4", 2 Groove	D	12	Ear	PAG
n/a	488-45021	TM-15HD	A	135mm 5 1/4", 2 Groove	B	12	Ear	PAG
TM-16HD								
LF1020	488-46063	TM-16HD	E	7mm 5 3/4", 1 Groove	D	12	Ear	PAG
435-56030	488-46030	TM-16HD	A	135mm 5 1/4", 2 Groove	C	12	Ear	PAG
488-46065	488-46065	TM-16HD	F	6 1/4", Variable Groove	C	12	Ear	PAG
TM-31HD								
n/a	488-46520	TM-3HD	B	6-1/8", 2 Groove	B	12	Tangential	PAG

EXAMPLE COMPRESSOR IDENTIFICATION



CROSS REFERENCE FOR SETLEC TO ICE INTERCHANGE

Table 13-474: Seltec to ICE
Interchange Cross Reference

Seltec	ICE
488-25011	2521121
488-25015	2521122
488-25021	2521123
488-25022	2521124
488-25030	2521125
488-25057	2521128
488-25063	2521129
488-25065	2521130
488-25075	2521131
488-25121	2521133
488-42015	2521135
488-42021	2521136
488-42038	2521137
488-42070	2521138
488-42072	2521139
488-42121	2521142
488-42314	2521143
488-44038	2521144
488-44070	2521145
488-44234	2521148
488-44320	2521150
488-44338	2521151
488-45011	2521152
488-45015	2521153
488-45017	2521154
488-45018	2521155
488-45019	2521156
488-45021	2521157
488-45030	2521158
488-45035	2521159
488-45036	2521160

Seltec	ICE
488-45043	2521161
488-45047	2521162
488-45056	2521163
488-45057	2521164
488-45061	2521165
488-45063	2521166
488-45065	2521167
488-45075	2521168
488-45088	2521170
488-45120	2521171
488-45121	2521172
488-45126	2521173
488-45222	2521176
488-45234	2521178
488-46011	2521180
488-46015	2521181
488-46017	2521182
488-46018	2521183
488-46019	2521184
488-46021	2521185
488-46030	2521186
488-46043	2521187
488-46044	2521188
488-46056	2521189
488-46057	2521190
488-46060	2521191
488-46061	2521192
488-46065	2521193
488-46073	2521194
488-46120	2521195
488-46121	2521196
488-46122	2521197
488-46210	2521198
488-46212	2521199
488-46222	2521201
488-46230	2521204
488-46234	2521206

Seltec	ICE
488-46238	2521208
488-46500	2521209
488-46540	2521213
488-44212	2521227
488-46035	2521250
488-42084	2521251
488-46053	2521254
488-45238	2521255
488-42081	2521257
488-42114	2521258
488-42080	2521261
488-45122	2521266
488-42031	2521267
488-45081	2521268
488-42087	2521269
488-42089	2521270
488-44010	2521271
488-44014	2521272
488-44082	2521273
488-44122	2521274
488-45038	2521275
488-45041	2521276
488-45045	2521277
488-45050	2521278
488-45073	2521279
488-45082	2521280
488-45084	2521281
488-45092	2521282
488-46033	2521283
488-46038	2521284
488-46041	2521285
488-46045	2521286
488-46050	2521287
488-46063	2521288
488-46081	2521289
488-44012	2521290
488-44071	2521291

Seltec	ICE	Seltec	ICE	Seltec	ICE
488-44074	2521292	488-45124	2521332	488-45323	2521454
488-45048	2521293	488-45125	2521333	488-45311	2521455
488-45090	2521294	488-45131	2521334	488-46029	2521456
488-46048	2521295	488-45141	2521335	488-42074	2521457
488-46083	2521296	488-45218	2521337	488-46079	2521458
488-46094	2521297	488-45319	2521338	488-44123	2521460
488-46100	2521298	488-45321	2521339	488-45096	2521461
488-46047	2521299	488-45322	2521340	488-45083	2521462
488-45077	2521301	488-45339	2521341	488-45215	2521465
488-44120	2521302	488-45347	2521342	488-46225	2521466
488-42141	2521303	488-45368	2521343	488-46311	2521467
488-42118	2521305	488-46023	2521344	488-46202	2521468
488-42085	2521306	488-46026	2521345	488-46215	2521469
488-42033	2521307	488-46028	2521346	488-46131	2521470
488-42076	2521308	488-46036	2521347	488-46129	2521471
488-42120	2521309	488-46068	2521348	488-46077	2521472
488-44039	2521310	488-46069	2521349	488-45129	2521473
488-42310	2521311	488-46075	2521350	488-45225	2521474
488-44041	2521312	488-46097	2521351	488-47244	2521562
488-44334	2521313	488-46123	2521352	488-47246	2521563
488-44339	2521314	488-46124	2521353	488-47240	2521564
488-45009	2521315	488-46125	2521354	488-47242	2521565
488-45023	2521316	488-46126	2521355	488-46313	2521603
488-45026	2521317	488-46204	2521356	488-46244	2521616
488-45027	2521318	488-46220	2521358	122-05442	2560105
488-45032	2521319	488-46321	2521359	624-19719	2570148
488-45033	2521320	488-45228	2521361	624-19720	2570149
488-45039	2521321	488-42130	2521363	624-19723	2570150
488-45053	2521322	488-42132	2521364	624-19724	2570151
488-45068	2521323	488-42134	2521365		
488-45069	2521324	488-42136	2521366		
488-45071	2521325	488-42138	2521367		
488-45079	2521326	488-42144	2521368		
488-45085	2521328	488-45029	2521374		
488-45094	2521329	488-42083	2521388		
488-45097	2521330	488-42115	2521452		
488-45100	2521331	488-45330	2521453		

CLUTCH VARIATIONS

STYLE A
135mm
Double A Groove



STYLE B
125mm
Double A Groove



STYLE C
6 Groove



STYLE D
8 Groove



STYLE E
Overhang



STYLE F
Variable Groove



STYLE G
7 Groove



CYLINDER HEAD CONFIGURATIONS

TYPE A
Cast Vertical
O-Ring
R-12 Charging
Ports
3/4" x 7/8"



TYPE B
Aluminum
Vertical O-Ring
3/4" x 7/8"



TYPE C
Cast Horizontal
O-Ring
3/4" x 7/8"



TYPE D
Cast Vertical
O-Ring
3/4" x 7/8"



TYPE E
Cast Vertical
Tube O-Ring
1" x 14"



TYPE F
Cast Horizontal
Tube O-Ring
1" x 14"



TYPE G
Horizontal
GM Pad



Changing the Air Conditioning Compressor

The compressor is the heart of the A/C system, taking in cool low-pressure vapor, and pumping out hot high-pressure vapor. Compressor failure comes in the forms of broken reed valves, leaks, unusual noises, rough running or seizure. Should a compressor fail internally, there can be debris pumped through the system, requiring replacement of the expansion valve(s) and receiver dryer. All components not replaced must be flushed clear of all debris using proper equipment.

Note: A new receiver drier **MUST** be used whenever the system is opened or early failure of A/C system components will result.

1. After removing the old compressor, drain, measure, and record the amount of oil remaining inside, both through the drain plug and out the ports. Add this quantity to the amount of oil captured by the recovery equipment in the oil trap. If the system lost its charge due to a leak, the system must be flushed and brought back to factory specs.
2. After draining the new compressor of oil, add the same amount of new refrigerant oil of the proper type to the compressor and system as was measured in Step 1. Be sure to use the correct oil. The oil type will be listed on the information tag on the vehicle. Check the service manual for the acceptable oil for your particular compressor type.
3. Remount the compressor and align belts after checking the mount brackets for damage.
4. Evacuate the system using a vacuum pump capable of pulling a vacuum of at least 29.2 in. Hg (at sea level) for 60 minutes for systems with sleeper HVAC units or 45 minutes for other systems.
5. Recharge the system with new, reclaimed, or recycled refrigerant of the proper type.
6. Be sure to check all compressor mounting brackets for proper tightness and belt tension.

Use only parts from your dealer during repairs. In the severe environment of Class 6-7-8 trucks, poor quality components will lead to early failure and unwelcome downtime. Taking extra care with the air conditioning system will assure proper functioning and driver comfort.

MOUNTING KITS & ACCESSORIES

COMPRESSOR MOUNTING KITS

Part No. HE1000

Compressor Bracket Kit CUMMINS NTC/N14 - Compressor Driven from Front Groove

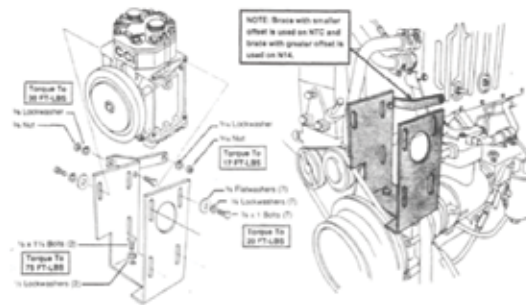
This kit includes brackets and mounting hardware to mount a CLIMATE CONTROL (YORK) two cylinder compressor on vehicles with CUMMINS NTC/N14 engines where the compressor is driven from the front groove of the drive pulley.

Applications: Kenworth	K100 & W900	1984-current
Freightliner	Conventional	1985-1988
Freightliner	Cabover	1985-current

Compressor: This bracket is designed for all CLIMATE CONTROL (YORK) 210 Compressors.

Clutch: Use any of these clutches:
 CLIMATE CONTROL #024-21590OGURA #332639 or 501939
 PITTS #10884 WARNER #1411-39
 NAVISTAR #1-1566 MACK #1MX 242 or 1MX 1280

Drive Belt: Use 17401 (40-1/8") for 7" drive pulley
 Use 17432 (43-1/4") for 9" drive pulley



Compressor, clutch, and service valves are purchased separately.

Part No. HE1005

Compressor Bracket Kit CUMMINS NTC & N14 - Third Groove (From Front) Drive

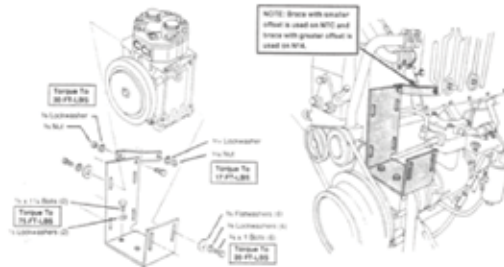
This kit includes brackets and mounting hardware to mount a CLIMATE CONTROL/YORK two cylinder compressor on vehicles with CUMMINS NTC/N14 engines where the compressor is driven from the third groove of the drive pulley.

Applications: Kenworth	
Peterbilt	
Freightliner (Bracket fits most models listed from 1984 to present)	
Volvo	
Ford	

Compressor: This bracket is designed for all CLIMATE CONTROL/YORK 210 Compressors.

Clutch: Use any of these clutches:
 CLIMATE CONTROL #024-21590OGURA #332639 or 501939
 PITTS #10884 WARNER #1411-39
 NAVISTAR #1-1566 MACK #1MX 242 or 1MX 1280

Drive Belt: Use 17401 (40-1/8") for 7" drive pulley
 Use 17432 (43-1/4") for 9" drive pulley



Compressor, clutch, and service valves are purchased separately.

Part No. HE1335

Compressor Bracket Kit CAT 3406B - Compressor Mounted Horizontally

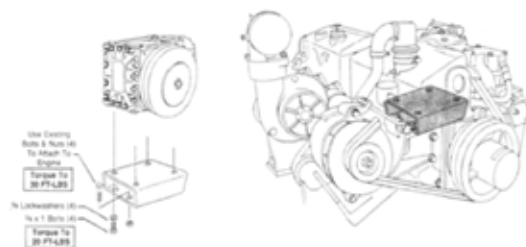
This kit includes a bracket and mounting hardware to replace the round A/C compressor with a CCI two cylinder compressor on vehicles with CATERPILLAR 3406B engines where the compressor is mounted in a horizontal position.

Applications: Peterbilt	All Models	1986-current
Freightliner	All Models	1985-current

Compressor: This bracket is designed for all CLIMATE CONTROL heavy duty compressors.

Clutch: Use any of these clutches:
 CLIMATE CONTROL #024-21590OGURA #332639 or 501939
 (preferred since it is diode protected) PITTS #10884
 WARNER #1411-39 NAVISTAR #1-1566
 MACK #1MX 242 or 1MX 1280

Drive Belt: This kit is designed to use the existing belts.



Compressor, clutch, and service valves are purchased separately.

COMPRESSOR MOUNTING KITS (CONTINUED)

Part No. VK1000

Compressor Bracket Kit CAT 3406B - Compressor Mounted Vertically

This kit includes a bracket and mounting hardware to replace the round A/C compressor with a CCI two cylinder compressor on vehicles with CATERPILLAR 3406B engines where the compressor is mounted in an upright or vertical position.

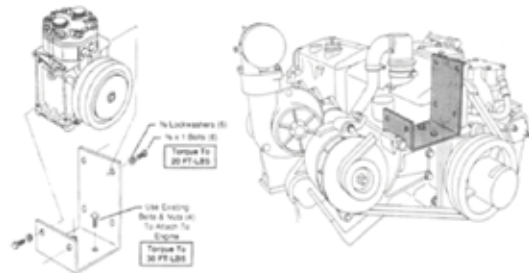
Applications: Kenworth All Models 1984-current
Freightliner* All Models 1985-current

*This application can also use Bracket Kit HE1335.

Compressor: This bracket is designed for all CLIMATE CONTROL heavy duty compressors.

Clutch: Use any of these clutches:
OGURA #332639 or 501939 PITTS #10884
WARNER #1411-39 NAVISTAR #1-1566
MACK #1MX 242 or 1MX 1280

Drive Belt: This kit is designed to use the existing belts.



Compressor, clutch, and service valves are purchased separately.

Part No. VK1015

Compressor Bracket Kit DETROIT DIESEL SERIES 60 - Right Side

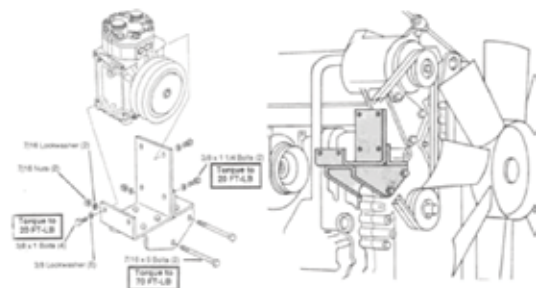
This kit includes a bracket assembly and mounting hardware to install a CLIMATE CONTROL/YORK two cylinder compressor on vehicles with DETROIT DIESEL SERIES 60 engines. The compressor mounts on the right side of the engine and is driven by the accessory drive belts which also drive the alternator.

Applications: Fits most makes and models 1991 and newer. On 1990 and older vehicles, this bracket can be used if a Kenworth K181-5234 Water Bypass Pipe is substituted for the original pipe.

Compressor: This bracket is designed for all CLIMATE CONTROL/YORK 210 Compressors.

Clutch: Use any of these clutches:
OGURA #332639 or 501939 PITTS #10884
WARNER #1411-39 NAVISTAR #1-1566










Drive Belt: Use a matched pair of 54.5 to 55" belts or a Freightliner #01-20984-2 or -3 (powerband belt). To use shortest possible belts, push compressor and bracket inboard as far as possible, then slip belts over clutch pulley and finally install the 5" long bolts. This allows increased belt adjustment.



Compressor, clutch, and service valves are purchased separately.

SANDEN & TCCI MOUNTING BRACKETS

Table 13-475: Compressors - Sanden & TCCI Mounting Brackets

<p>Universal Compressor Adapter Bracket HE11200</p>  <p>Will mount Seltec or Sanden compressor to most C.C.I. or Blissfield compressor brackets.</p>	<p>Adjustable Compressor Adapter Bracket HE11850</p>  <p>Will mount bracket to fit York and Tecumseh mount holes.</p>	<p>Compressor Adapter Bracket VD10350</p>  <p>Will fit Sanden compressors only.</p>
<p>Bracket HE10600</p> 	<p>Belt Tension Kit KB10150</p>  <p>Pulley Diameter: 3/38 Belt Size: 1/2</p>	<p>Shaft Seal Kit VF1000</p> 
<p>Seal Kit VG10250</p> 	<p>CCI Compressor Shaft Seal Kit VH12700</p>  <p>Deluxe Shaft Seal Kit for CCI Compressors</p>	<p>Universal Compressor Adapter Bracket HE11200</p>  <p>Will mount Seltec or Sanden compressor to most C.C.I. or Blissfield compressor brackets.</p>

TCCI SERVICE VALVES

R-12 ROTO LOCK

Table 13-476: Compressors - TCCI Service Valves - R-12 Roto Lock



1/4" Port R-12 Back Seat Flare Fitting

Specifications	Part No.
No. 8, Thread: 3/4"-16	LA12300
No. 10, Thread: 7/8"-14	LA12500



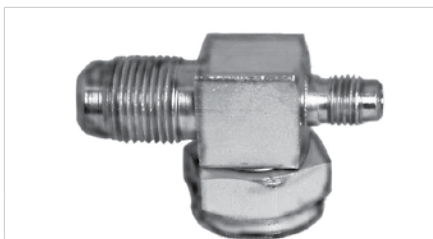
1/4" Port R-12 Back Seat O-Ring Fitting

Specifications	Part No.
No. 8, Thread: 3/4"-16	n/a
No. 10, Thread: 7/8"-14	LA1005



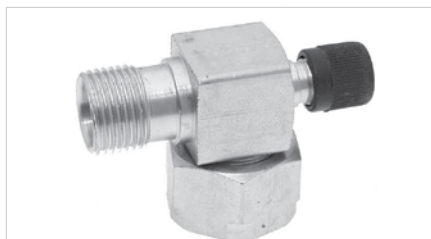
1/4" Port R-12 Top Port Service Valve

Specifications	Part No.
No. 8	LA12650
No. 10	LA12700



1/4" Port R-12 Flare Fitting

Specifications	Part No.
No. 8, Thread: 3/4"-16	AB3100
No. 10, Thread: 7/8"-14	n/a

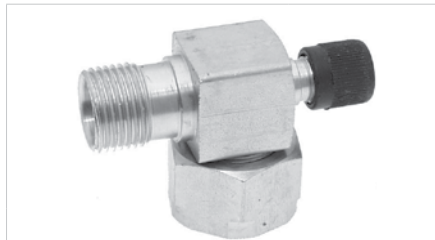


1/4" Port R-12 O-Ring Fitting

Specifications	Part No.
No. 8, Thread: 3/4"-16	LA1040
No. 10, Thread: 7/8"-14	LA1045

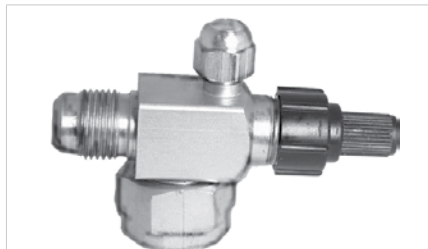
R-12 TUBE O-RING

Table 13-477: Compressors - TCCI Service Valves - R-12 Tube O-Ring



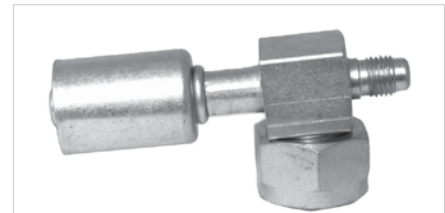
1/4" Port R-12 O-Ring Fitting

Specifications	Part No.
No. 8 Fitting, 3/4"-16 Thread	AB31250
No. 10 Fitting, 7/8"-14 Thread	AB31300



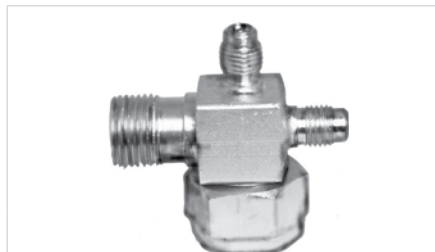
1/4" Port R-12 Back Seat Flare Fitting

Specifications	Part No.
No. 8 Fitting, 3/4"-16 Thread	AB31350
No. 10 Fitting, 7/8"-14 Thread	AB31400



1/4" Port R-12 Beadlock Fitting

Specifications	Part No.
No. 8, Hose I.D.: 13/32"	AB3110
No. 10, Hose I.D.: 1/2"	AB31150
No. 12, Hose I.D.: 5/8"	AB31200



1/4" Port R-12 O-Ring Fitting

Specifications	Part No.
No. 8, Thread: 3/4"-16	AB31550
No. 10, Thread: 7/8"-14	AB31600



1/4" Port R-12 Back Seat Flare O-Ring Fitting

Specifications	Part No.
No. 8, Thread: 3/4"-16	AB31450
No. 10, Thread: 7/8"-14	AB31500

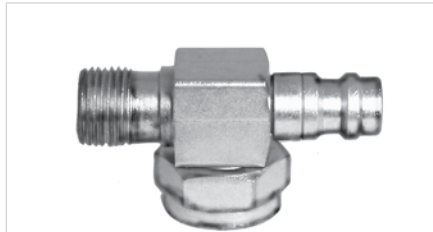
R-12A ROTO LOCK

Table 13-478: Compressors - TCCI Service Valves - R-12a Roto Lock



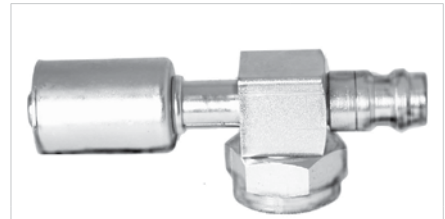
1"-14 Standard Flow Back Seat R-134a Port O-Ring Fitting

Specifications	Part No.
No. 8, 16mm, Thread: 3/4"-16	AB31850
No. 10, 13mm, Thread: 7/8"-14	AB31900



1"-14 Standard Flow R-134a Port O-Ring Fitting

Specifications	Part No.
No. 8, Thread: 3/4"-16	AB31950
No. 10, Thread: 7/8"-14	AB32000

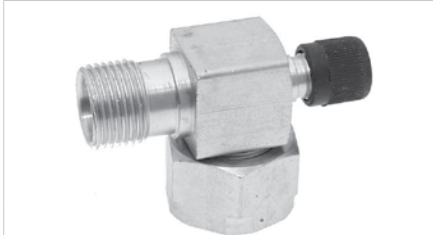


1"-14 Standard Flow R-134a Port Beadlock Fitting

Specifications	Part No.
No. 8, 16mm, 13/32" Hose I.D.	AB3175
No. 10, 13mm, 1/2" Hose I.D.	AB3180

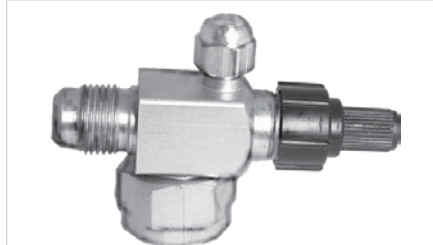
R-12A TUBE O-RING

Table 13-479: TCCI Service Valves - R-12a Tube O-Ring



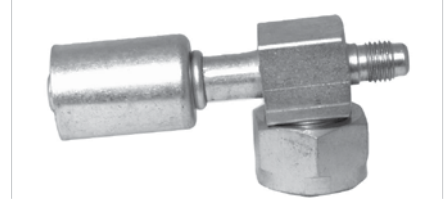
1/4" Port R-12 O-Ring Fitting

Specifications	Part No.
No. 8 Fitting, 3/4"-16 Thread	AB31250
No. 10 Fitting, 7/8"-14 Thread	AB31300



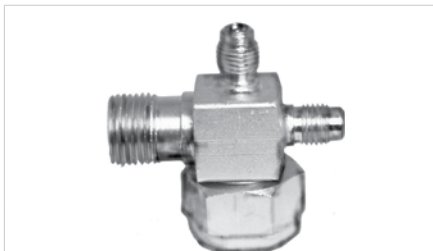
1/4" Port R-12 Back Seat Flare Fitting

Specifications	Part No.
No. 8 Fitting, 3/4"-16 Thread	AB31350
No. 10 Fitting, 7/8"-14 Thread	AB31400



1/4" Port R-12 Beadlock Fitting

Specifications	Part No.
No. 8, Hose I.D.: 13/32"	AB3110
No. 10, Hose I.D.: 1/2"	AB31150
No. 12, Hose I.D.: 5/8"	AB31200

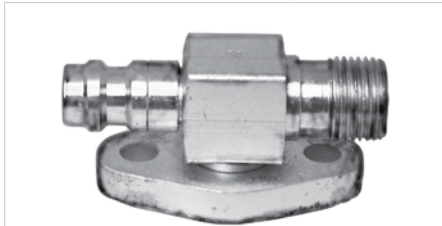


1/4" Port R-12 O-Ring Fitting

Specifications	Part No.
No. 8, Thread: 3/4"-16	AB31550
No. 10, Thread: 7/8"-14	AB31600

FORD, DIESEL KIKI & SANDEN SERVICE VALVES

Table 13-480: Compressors - Ford, Diesel Kiki & Sanden Service Valves

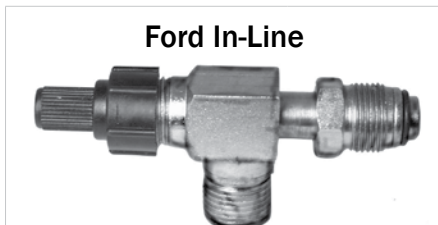


Standard Flow R-134a O-Ring Fitting

Specifications	Part No.
No. 8, 16mm High, Thread: 3/4"-16	AB31850
No. 10, 13mm Low, Thread: 7/8"-14	AB31900

FORD (R-12 & R-134A)

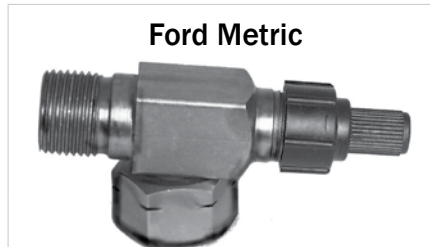
Table 13-481: Compressors - Ford (R-12 & R-134a)



Ford In-Line

Back Seat Valve R-12 & R-134a O-Ring Fitting

Specifications	Part No.
3/4"-16 UNF2A Thread, Hose: No. 8, 3/4"-16 Thread	AB32900
7/8"-14 UNF2A Thread, Hose: No. 10, 7/8"-14 Thread	AB32950



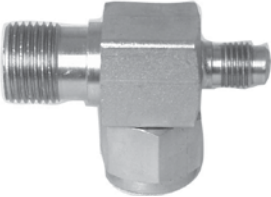
Ford Metric

Back Seat Valve R-12 & R-134a O-Ring Fitting

Specifications	Part No.
M24 Thread, Hose: No. 10, 7/8"-14 Threa	AB33950


DIESEL KIKI & SANDEN (R-12 & R-134A)

Table 13-482: Compressors - Diesel Kiki & Sanden (R-12 & R-134a)




1/4" Service Ports R-12 O-Ring Fitting
w/o Service Ports on compressor

Specifications	Part No.
3/4"-16 Thread, Hose: No. 8, 3/4"-16 Thread	AB3300
7/8"-14 UNF2A Thread, Hose: No. 10, 7/8"-14 Thread	AB33050



Standard Flow R-134a O-Ring Fitting
w/o Service Ports on compressor

Specifications	Part No.
3/4"-16 Thread, 16mm Service Port, Hose: No. 8, 3/4"-16 Thread	AB33200
7/8"-14 UNF2A Thread, 13MM Service Port, Hose: No. 10, 7/8"-14 Thread	AB33250



Standard Flow R-134a O-Ring Fitting
w/o Service Ports on compressor

Specifications	Part No.
3/4"-16 Thread, 16mm Service Port, Hose: No. 8, 3/4"-16 Thread	AB34000
7/8"-14 UNF2A Thread, 13MM Service Port, Hose: No. 10, 7/8"-14 Thread	AB34050

MISCELLANEOUS COMPRESSOR SERVICE VALVES

Table 13-483: Compressors - Miscellaneous Compressor Service Valves



022-21931



AB1220



LA1015



LA1040



AB31450



AB31500

R-12 & R-134A SERVICE VALVE SPECIFICATIONS

Table 13-484: R-12 & R-134a Service Valve Specifications

Part No.	Description	Compressor Thread Size	Hose Fittings			Refrigerant Hose	
			Type	Size	Thread	Size	I.D.
ROTO LOCK COMPRESSOR SERVICE VALVES - TCCI R-12							
AB3100	1/4" Port R-12	1"-14	Flare	No.8	3/4"-16	-	-
LA1005	Back Seat 1/4" Port R-12	1"-14	O-Ring	No. 10	7/8"-14	-	-
LA1040	1/4" Port R-12	1"-14	O-Ring	No. 8	3/4"-16	-	-
LA1045	1/4" Port R-12	1"-14	O-Ring	No. 10	7/8"-14	-	-
LA12300	Back Seat 1/4" Port R-12	1"-14	Flare	No. 8	3/4"-16	-	-
LA12500	Back Seat 1/4" Port R-12	1"-14	Flare	No. 10	7/8"-14	-	-
LA12650	No. 8 O-Ring Top Port Service Valve	-	-	-	-	-	-
TUBE O-RING COMPRESSOR SERVICE VALVES - TCCI R-12							
AB3110	1/4" Port R-12	1"-14	Beadlock	No. 8	-	No. 8 1	3/32"
AB31150	1/4" Port R-12	1"-14	Beadlock	No. 10	-	No. 10	1/2"
AB31200	1/4" Port R-12	1"-14	Beadlock	No. 12	-	No. 12	5/8"
AB31250	1/4" Port R-12	1"-14	O-Ring	No. 8	3/4"-16	-	-
AB31300	1/4" Port R-12	1"-14	O-Ring	No. 10	7/8"-14	-	-
AB31350	Back Seat 1/4" Port R-12	1"-14	Flare	No. 8	3/4"-16	-	-
AB31400	Back Seat 1/4" Port R-12	1"-14	Flare	No. 10	7/8"-14	-	-
AB31450	Back Seat 1/4" Port R-12	1"-14	O-Ring	No. 8	3/4"-16	-	-
AB31500	Back Seat 1/4" Port R-12	1"-14	O-Ring	No. 10	7/8"-14	-	-
AB31550	1/4" Port R-12	1"-14	O-Ring	No. 8	3/4"-16	-	-
AB31600	1/4" Port R-12	1"-14	O-Ring	No. 10	7/8"-14	-	-
FLANGE COMPRESSOR SERVICE VALVES - TCCI R-134A							
AB31650	Standard Flow R-134a	16MM High	O-Ring	No. 8	3/4"-16	-	-
AB31700	Standard Flow R-134a	13MM Low	O-Ring	No. 10	7/8"-14	-	-
ROTO LOCK COMPRESSOR SERVICE VALVES - TCCI R-134A							
AB31750	Standard Flow 16MM R-134a Port	1"-14	Beadlock	No. 8	-	No. 8	13/32"
AB31800	Standard Flow 13mm R-134a Port	1"-14	Beadlock	No. 10	-	No. 10	1/2"
AB31850	Standard Flow Back Seat 16mm R-134a Port	1"-14	O-Ring	No. 8	3/4"-16	-	-
AB31900	Standard Flow Back Seat 13mm R-134a Port	1"-14	O-Ring	No. 10	7/8"-14	-	-

Part No.	Description	Compressor Thread Size	Hose Fittings			Refrigerant Hose	
			Type	Size	Thread	Size	I.D.
AB31950	Standard Flow 16mm R-134a Port	1"-14	O-Ring	No. 8	3/4"-16	-	-
AB32000	Standard Flow 13mm R-134a Port	1"-14	O-Ring	No. 10	7/8"-14	-	-

TUBE O-RING COMPRESSOR SERVICE VALVES - TCCI R-134A

AB32050	Standard Flow 16mm R-134a Port	1"-14	Beadlock	No. 8	-	No. 8	13/32"
AB32100	Standard Flow 13mm R-134a Port	1"-14	Beadlock	No. 10	-	No. 10	1/2"
AB32150	Standard Flow 13mm R-134a Port	1"-14	Beadlock	No. 12	-	No. 12	5/8"
AB32200	Standard Flow 16mm R-134a Port	1"-14	O-Ring	No. 8	3/4"-16	-	-
AB32250	Standard Flow 13mm R-134a Port	1"-14	O-Ring	No. 10	7/8"-14	-	-
AB32300	Standard Flow Back Seat 16mm R-134a Port	1"-14	O-Ring	No. 8	3/4"-16	-	-
AB32350	Standard Flow Back Seat 13mm R-134a Port	1"-14	O-Ring	No. 10	7/8"-14	-	-
LA1010	High Flow 13mm R-134a Port	1"-14	O-Ring	No. 10	7/8"-14	-	-
LA1035	High Flow 16mm R-134a Port	1"-14	O-Ring	No. 8	3/4"-16	-	-

FORD COMPRESSOR SERVICE VALVES

AB32900	Ford On-line Back Seat Valve R-12 & R-134a	3/4"-16 UNF2A	O-Ring	No. 8	3/4"-16	-	-
AB32950	Ford On-line Back Seat Valve R-12 & R-134a	7/8"-14 UNF2A	O-Ring	No. 10	7/8"-14	-	-
AB33900	Ford Metric Back Seat Valve R-12 & R-134a	M20	O-Ring	No. 8	3/4"-16	-	-
AB33950	Ford Metric Back Seat Valve R-12 & R-134a	M24	O-Ring	No. 10	7/8"-14	-	-

DIESEL KIKI & SANDEN w/o SERVICE PORTS ON COMPRESSOR

AB3300	1/4" Ports R-12	3/4"-16	O-Ring	No. 8	3/4"-16	1/4"	
AB3305	1/4" Ports R-12	7/8"-14	O-Ring	No. 10	7/8"-14	1/4"	
AB33200	Standard Flow R-134a	3/4"-16	O-Ring	No. 8	3/4"-16	16mm	
AB33250	Standard Flow R-134a	7/8"-14	O-Ring	No. 10	7/8"-14	13mm	
AB34000	Standard Flow R-134a	3/4"-16	O-Ring	No. 8	3/4"-16	16mm	
AB34050	Standard Flow R-134a	7/8"-14	O-Ring	No. 10	7/8"-14	13mm	

CAPS

Table 13-485: Compressors - Caps



* All Caps Sold In Quantities of 5 Unless Otherwise Noted.

CAPS (CONTINUED)



** All Caps Sold In Quantities of 5 Unless Otherwise Noted.*

EXPANSION VALVES

EXPANSION VALVES SERVICE TIPS

Changing the Expansion Valve

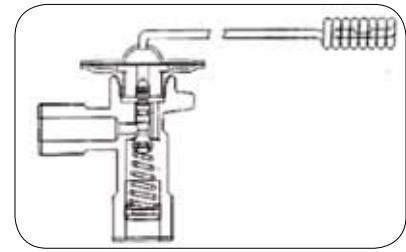
The expansion valve meters the flow of refrigerant into the evaporator in the air conditioning unit. When the expansion valve opens, liquid refrigerant flows through a small orifice, causing the pressure and temperature of the refrigerant to drop substantially. The refrigerant is changed from a hot high-pressure liquid to a cold low-pressure liquid. This cold liquid boils as it flows through the evaporator coil in the cab, cooling the air blowing into the passenger compartment or sleeper. The expansion valve ensures that the proper amount of refrigerant flows through the evaporator to give maximum cooling.

1. After determining that the expansion valve is not functioning properly, evacuate the system and disconnect and cap the lines from the valve and evaporator.
2. Examine the connections, looking for any debris. Debris that shows gray or white is desiccant material from the receiver drier. This is usually a sign that there is moisture in the system or that the receiver drier was subjected to severe vibration. Check the mounting to ensure that all points are properly fastened. Remember that a plugged expansion valve can not be flushed, it must be replaced.
3. Examine the outlet of the expansion valve or evaporator. Any debris in the outlet indicates that the entire system must be flushed and all components checked. A shortcut at this point will likely cause compressor failure and significant downtime.
4. On valves with an equalizer tube, check for proper attachment and insulation.
5. Use only dry nitrogen when flushing or pressurizing the system. Compressed air must never be used due to the contaminants left behind. Warning: Some refrigerants are also combustible in the presence of compressed air!
6. Replace all 'o'-rings that are disturbed in any way, making sure to use HNBR 'o' rings of the correct size. Lubricate with refrigerant oil during reassembly.
7. Replace the receiver dryer anytime the system is opened. A new receiver dryer is needed to effectively remove moisture from the system. The desiccant in the old receiver dryer will become saturated by moisture in the air and moisture absorbed during normal operation.
8. After repairs are complete, evacuate the system with a vacuum of 29.2 in. Hg (at sea level) for 60 minutes for systems with a sleeper A/C unit, or 45 minutes for those systems without. This will ensure that all moisture is removed before charging with refrigerant.

Use only parts from the dealer during repairs. Poor quality parts will lead to early system failure and expensive repairs that could be avoided. By taking extra care with the A/C system, you can be sure of proper functioning and driver comfort.

EXPANSION SERVICE TIPS (CONTINUED)

The expansion valve acts as a refrigerant metering device that creates a temperature/ pressure decrease. This device also divides the system into two zones; high-pressure and low-pressure.



Capillary Tube Design

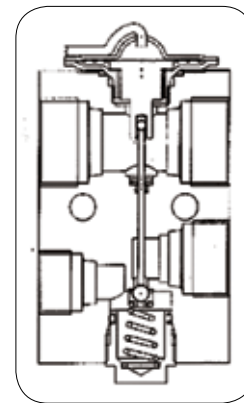
Expansion Valve Service Tips

Block Valve Failure The most common block valve failure is due to the loss of gas pressure inside the Power Head.

Plugged Expansion Valve Plugged expansion valves cannot be flushed out, they must be replaced.

Capillary Tube Verify the capillary tube is properly attached and insulated.

Refrigerant Check Ensure that refrigerant is flowing to the expansion valve prior to removing.




Block Design

ORIFICE TUBES & KITS


Table 13-486: Orifice Tubes & Kits

EC10100




Orifice Tube - White w/ Black Neoprene O-Rings (R-12 & R-134a)

EC10150




Orifice Tube - Red

EC10200




Orifice Tube - Blue w/ Green HNBR O-Rings (R-12 & R-134a)

EC10250




Orifice Tube - Orange w/ Green HNBR O-Rings (R-12 & R-134a)

EC10300



Orifice Tube - Black & White w/ Black Neoprene O-Rings (R-12 & R-134a)

EC10350




Orifice Tube - Brown wwith Green HNBR O-Rings (R-12 & R-134a)

EC10650




Orifice Tube - Yellow/White

EC10700




Orifice Tube - Retrofit, Standard Duty Condenser-mounted.

EC10750



Orifice Tube - Retrofit, Standard Duty Evaporator-mounted.

EC10800



Orifice Tube - Purple w/ Green HNBR O-Rings

* All Orifice Tubes Sold In Quantities of 10.

ORIFICE TUBES & KIT (CONTINUED)

Orifice Tube Remover Kit

531044BSM

Qty.	Description
1	Augur Point Shaft
1	Nut
1	Arbor
1	GM Puller
1	Extension
1	Puller



Orifice Tube Assortment Kit

VC1090

Part No.	Qty.	Description
EC1010	5	GM CCOT White Orifice Tube with Black Neoprene O-Rings (R-12 & R-134a)
EC1015	5	Orifice Tube (Red)
EC1020	5	Blue Orifice Tube with Green HNBR O-Rings (R-12 & R-134a)
EC1025	5	Orange Orifice Tube with Green HNBR ORings (R-12 & R-134a)
EC1030	5	Black & White Orifice Tube with Black Neoprene O-Rings (R-12 & R-134a)
EC1035	5	Brown Orifice Tube with Green HNBR ORings (R-12 & R-134a)




* All Orifice Tubes Sold In Quantities of 10.

EXPANSION VALVES

INTERNALLY EQUALIZED EXPANSION VALVES

Table 13-487: Internally Equalized Expansion Valves



EA10550

Tonnage	n/a
Inlet	No. 6 Male Flare
Outlet	No. 8 Male Flare
Capillary Tube Length	9"




EA13850

Tonnage	1 1/2 ton
Inlet	No. 6 Male Flare
Outlet	No. 8 Male Flare
Capillary Tube Length	12"



EA13900

Tonnage	1 1/2 ton
Inlet	No. 6 Male Flare
Outlet	No. 8 Male Flare
Capillary Tube Length	8"



EA14500

Tonnage	n/a
Inlet	M16
Outlet	M20
Capillary Tube Length	16.5"

EXTERNALLY EQUALIZED EXPANSION VALVES

Table 13-488: Internally Equalized Expansion Valves



EA10050

Tonnage	1 1/2 ton
Inlet	No. 6 Male Flare
Outlet	No. 8 Male Flare
Equalizer Tube Length	16 1/2"
Nut	1/4" Female Flare
Capillary Tube Length	19"



EA10150

Tonnage	1 1/2 ton
Inlet	No. 6 Male Flare
Outlet	No. 8 Male Flare
Equalizer Tube Length	9 3/4"
Nut	1/4" Male O-Ring
Capillary Tube Length	8"



EA10200

Tonnage	1 1/2 ton
Inlet	No. 6 Male Flare
Outlet	No. 8 Male Flare
Equalizer Tube Length	13"
Nut	1/4" Female O-Ring
Capillary Tube Length	12"



EA10300

Tonnage	1 1/2 ton
Inlet	M16
Outlet	M20
Equalizer Tube Length	16 1/2"
Nut	1/4" Male O-Ring
Capillary Tube Length	16.5"



EA12250

Tonnage	2 ton
Inlet	No. 6 Male Flare
Outlet	No. 8 Male Flare
Equalizer Tube Length	31"
Nut	1/4" Female Flare
Capillary Tube Length	33"



EA12300

Tonnage	2 ton
Inlet	No. 6 Male Flare
Outlet	No. 8 Male Flare
Equalizer Tube Length	13"
Nut	1/4" Female Flare
Capillary Tube Length	12"

EXTERNALLY EQUALIZED EXPANSION VALVES (CONTINUED)



EA13000

Tonnage	1 1/2 ton
Inlet	No. 6 Male Flare
Outlet	No. 8 Male Flare
Equalizer Tube Length	8"
Nut	1/4" Male O-Ring
Capillary Tube Length	9 3/4"



EA14100

Tonnage	n/a
Inlet	No. 6 Male Flare
Outlet	No. 8 Male Flare
Equalizer Tube Length	7 1/2"
Nut	1/4" Male O-Ring
Capillary Tube Length	9"

BLOCK TYPE EXPANSION VALVES

Table 13-489: Block Type Expansion Valves



EA1065

Tonnage	1 1/2 ton
Inlet	No. 6 Female O-Ring
Outlet	No. 10 Female O-Ring
Suction Inlet	No. 8 Female O-Ring
Suction Outlet	No. 8 Female O-Ring



EA1075

Tonnage	2 ton
Inlet	No. 6 Female O-Ring
Outlet	No. 10 Female O-Ring
Suction Inlet	No. 8 Female O-Ring
Suction Outlet	No. 8 Female O-Ring



EA1080

Tonnage	1 1/2 ton
Inlet	No. 6 Female O-Ring
Outlet	No. 10 Female O-Ring
Suction Inlet	No. 8 Female O-Ring
Suction Outlet	No. 8 Female O-Ring

BLOCK TYPE EXPANSION VALVES (CONTINUED)



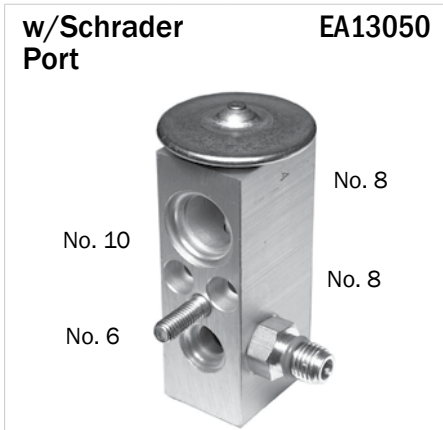
Tonnage	1 1/2 ton
Inlet	No. 6 Female O-Ring
Outlet	No. 10 Female O-Ring
Suction Inlet	No. 8 Female O-Ring
Suction Outlet	No. 8 Female O-Ring



Tonnage	1 1/2 ton
Inlet	No. 8 Female O-Ring
Outlet	No. 10 Female O-Ring
Suction Inlet	No. 8 Female O-Ring
Suction Outlet	No. 8 Female O-Ring



Tonnage	1 1/2 ton
Inlet	No. 6 Female O-Ring
Outlet	No. 10 Female O-Ring
Suction Inlet	No. 8 Female O-Ring
Suction Outlet	No. 10 Female O-Ring



Tonnage	1 1/2 ton
Inlet	No. 6 Female O-Ring
Outlet	No. 10 Female O-Ring
Suction Inlet	No. 8 Female O-Ring
Suction Outlet	No. 10 Female O-Ring




Tonnage	2 ton
Inlet	No. 6 Female O-Ring
Outlet	No. 10 Female O-Ring
Suction Inlet	No. 8 Female O-Ring
Suction Outlet	No. 8 Female O-Ring



Tonnage	2 ton
Inlet	No. 6 Female O-Ring
Outlet	No. 10 Female O-Ring
Suction Inlet	No. 8 Female O-Ring
Suction Outlet	No. 8 Female O-Ring

BLOCK TYPE EXPANSION VALVES (CONTINUED)


EA13200



No. 10
No. 8
No. 8
No. 6

Tonnage	1 1/2 ton
Inlet	No. 6 Female O-Ring
Outlet	No. 10 Female O-Ring
Suction Inlet	No. 8 Female O-Ring
Suction Outlet	No. 8 Female O-Ring


EA14150



No. 10
No. 12
No. 8
No. 6

Tonnage	1 1/2 ton
Inlet	No. 6 Female O-Ring
Outlet	No. 10 Female O-Ring
Suction Inlet	No. 8 Female O-Ring
Suction Outlet	No. 12 Female O-Ring

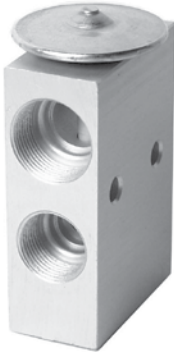
Bulbless **EA14200**



No. 10
No. 10
No. 8
No. 6

Tonnage	1 1/2 ton
Inlet	No. 6 Female O-Ring
Outlet	No. 10 Female O-Ring
Suction Inlet	No. 8 Female O-Ring
Suction Outlet	No. 10 Female O-Ring


EA14250



No. 8
No. 10
No. 10
No. 6

Tonnage	1 1/2 ton
Inlet	No. 6 Female O-Ring
Outlet	No. 8 Female O-Ring
Suction Inlet	No. 10 Female O-Ring
Suction Outlet	No. 10 Female O-Ring


EA14300



No. 10
No. 10
No. 8
No. 6

Tonnage	1 1/2 ton
Inlet	No. 6 Female O-Ring
Outlet	No. 10 Female O-Ring
Suction Inlet	No. 8 Female O-Ring
Suction Outlet	No. 10 Female O-Ring

EA14400



No. 10
No. 10
No. 8
No. 6

Tonnage	1 1/2 ton
Inlet	No. 6 Female O-Ring
Outlet	No. 10 Female O-Ring
Suction Inlet	No. 8 Female O-Ring
Suction Outlet	No. 10 Female O-Ring

BLOCK TYPE EXPANSION VALVES (CONTINUED)

EA14550

Tonnage	n/a
Inlet	n/a
Outlet	n/a
Suction Inlet	n/a
Suction Outlet	n/a

AIR CONTROLS

FREON SOLENOID VALVES

Table 13-490: Air Controls - Freon Solenoid Valves



FREON VALVE SPECIFICATIONS

Table 13-491: Air Controls - Freon Solenoid Valve Specifications

Part No.	Seltec No.
BA12450	1/8" -27 NPT Threads, 12V, This valve provides electric control for operation of air cylinders, air actuated shutters, and air controlled clutching fans. Solenoid can be normally open or normally closed depending on which control port is used. For 24V order BA1330.
CD10400	5/8"-18 Thread, 12V, 1 Ton, 3/8" Tube "O" Ring.
CD10000	Assembly Solenoid #6 Female "O" Ring Fitting, 12V, R134a.
CD10150	Solenoid Coil, 12V
CD10250	Assembly Solenoid #6 Female "O" Ring Fitting, 12V.

AIR FILTERS & SCREEN

Table 13-492: Air Controls - Air Filters & Screen

GD10200



Washable Air Filter
Nominal Size Electrostatic. Needs no oil.
12-1/2" x 13-1/2" x 1"

GD11400



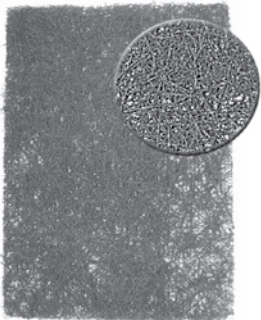
Air Filter
8-5/8" x 7-5/8" x 1"

GD11450



Air Filter
10-1/2" x 10-1/2" x 3/4"

GD11600



Air Filter
13-21/32" x 10" x 1/2"

GD11650



Air Filter
7-1/2" x 8-1/2" x 1/2"

GD11700



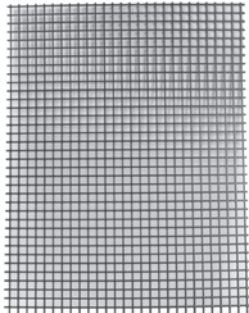
Air Filter
7-9/32" x 12-19/32" x 1"

GE11500



Air Filter
10-1/2" x 10-1/2" x 1"

GE10000



Screen
8-1/4" x 10-3/4" x 1/4"

FILTER SPECIFICATIONS

Table 13-493: Air Controls - Filter Specifications

Part No.	Description/ Application	Height	Length	Thickness
FR10200	Kysor Rooftop model KA700	n/a	n/a	n/a
GD11650	1997 - 2007 Freightliner Sleeper Units: C120, C112, Columbia, 2002 - 2005 Freightliner FLD 120, FLD 112, FLD 132, Freightliner # BOA 80-319-00-159	n/a	n/a	n/a
GD11750	2008 Freightliner Columbia 112, Columbia 120 2002 - 2007 C120, C112, Columbia, Coronado (Front Cab) Freightliner # 91621	n/a	n/a	n/a
GD11850	1998 - 2002 Volvo VN series, Volvo # BOA 80-319-00-149, 3948712	n/a	n/a	n/a
GD11900	2002 - 2007 Volvo VN series, Volvo # 20435801	n/a	n/a	n/a
GE11550	2002- 2007 Freightliner C120, C112, Columbia, Coronado (Aux Cab), Freightliner # 91595	n/a	n/a	n/a
FR1005KYSO	Kysor Rooftop model HD1000	4 1/2"	12 1/2"	1/2"
UE12300	Filter	7 7/8"	8 3/4"	1/4"
GD11700	Air Filter	7 9/32"	12 19/32"	1"
UE12050	Air Filter	7 3/32"	28 1/2"	1/4"
GD11400	1999 - 2006 Freightliner Sleeper Units: C120, C112, Columbia, 2002 - 2007 Freightliner Sleeper Units: FLD 120, FL 112, FLD 132, Freightliner # 22-46891-000	8 5/8"	7 5/8"	1"
UE12250	Cab Air Filter	9"	9"	5/16"
GD11450	1997 - 2005 Freightliner C120, C112, Freightliner # 22-44665-000, ABP N83 328345	10 1/2"	10 1/2"	3/4"
GD11500	2000 - 2007 Mack CX Vision, Granite, Keystone Mack # 7787-525784	10 1/2"	10 1/2"	5/8"
GE11500	2002 - 2005 Freightliner C120, C112, Columbia, Coronado Freightliner # 91560 (Charcoal)	10 1/2"	10 1/2"	1"
UE12200	Filter	10 1/4"	12 1/4"	1/4"
UE12150	Filter	10 1/4"	22 17/32"	1/4"
GE11450	2002- 2007 Freightliner C120, C112, Columbia, Coronado (Inlet Duct), Freightliner # 91559	10 5/8"	10 5/8"	1"
GD10200	2003 - 2007 Navistar 4700, 1991 - 2006 Navistar 9100, 9400, Navistar # 498144C1, ZGG14263, ZGG720007	12 1/2"	13 1/2"	1"
UE12100	Air Filter	12 3/4"	12 15/16"	1/2"
GD11600	1998 - 2002 Navistar Paystar 5000, F5070 2001 Navistar 4900, 1997 - 2009 Navistar 5500i, 5600i, 5900i, 9100i, 9200i, 9900i, 9900ix, Navistar # 1699956C1	13 21/32"	10"	1/2"

AIR SWITCHES - CHROME MOUNTING NUT (15/32 UNF-2B)

Table 13-494: Air Controls - Air Switches

BA1215



Air Toggle Switch with Chrome Mounting Nut
Thread 15/32"-32; UNF-2B

Black **BA1220**



Toggle

Chrome **BA12350**



Push Button Momentary Off/Maintain On

Nickel Plated **BA12550**



Toggle with Guard
Thread 1/8"-27; NPTF

Black **BA12750**



Toggle

Chrome **BA12850**



Toggle

Nickel Plated **BA13550**



Toggle

Black **BA14500**



Toggle

Black **RD5-4433-0**



Toggle

VC1040



Service Air Control Kit

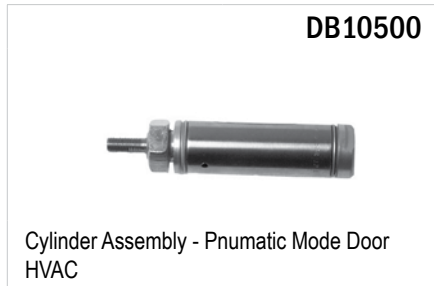
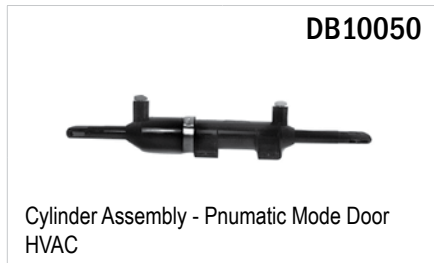
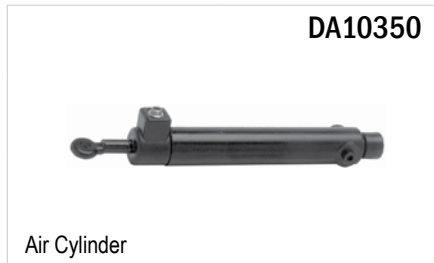
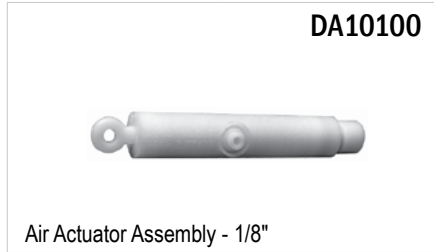
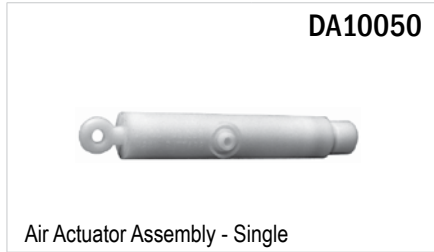
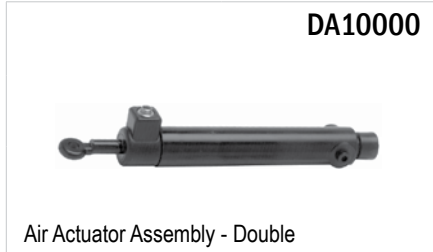
AIR SWITCHES SPECIFICATIONS

Table 13-495: Air Controls - Air Switches Specifications

Part No.	Description	Thread
BA12150	Air Toggle Switch with Chrome Mounting Nut	15/32"-32; UNF-2B
BA12200	Black Toggle	n/a
BA12350	Chrome Push Button Momentary Off/Maintain On	n/a
BA12550	Nickel Plated Toggle with Guard used in fifth wheel slide and other pneumatic applications inlet & outlet are 1/8"-27 NPTF pipe thread	1/8"-27; NPTF
BA12750	Black Toggle	n/a
BA12850	Chrome Toggle	n/a
BA13550	Nickel Plated Toggle	n/a
BA14500	Black Toggle	n/a
RD5-4433-0	Black Toggle	n/a
VC10400	Service Air Control Kit	n/a

AIR CYLINDERS

Table 13-496: Air Controls - Air Cylinders



AIR CYLINDER SPECIFICATIONS

Table 13-497: Air Controls - Air Cylinder Specifications

Part No.	Diam.	Cylinder Length	Stroke	Material	Mount	Air	Action Type	Note
DA10000	0.79	0.375	0.375	Plastic	B	C	Double	
DA10050	0.625	3.69	1.1	Plastic	B	C	Single	
DA10100	0.625	3.69	1.1	Plastic	B	B	Single	
DA10150	0.75	3.25	1.5	Brass	A	A	Single	
DA10350	0.69	4.74	0.5	Plastic	B	B	Double	
DB10050	0.88	7.75	n/a	Plastic	B	C	Double	
DB10100	0.54	2.77	n/a	Plastic	B	C	Double	1875 Diam. Nylon Tube
DB10150	0.9	2.5	n/a	Plastic	B	C	Double	1875 O.D. Nylon Tube
DB10500	0.81	2.75	n/a	Steel	A	D	Double	1/4"-28 Thread
DB10800	0.89	4.69	n/a	Plastic	B	E	Double	125 O.D. Nylon Tube

Fittings:

- A. 1/8" NPT Threads
- B. 1/8" Nylon Hose Push-In Fittings
- C. 1/8" Nylon Hose Push-In Fittings
- D. 1/8" NPT Threads
- E. 1/8" Nylon Hose Push-In Fittings

Mounts:

- A. 9/16"-18 UNF-2A Threaded Mounting
- B. Plastic Mounting Plate

MISCELLANEOUS SWITCHES & VALVES

AIR SENSING SWITCHES

Table 13-498: Air Controls - Air Sensing Switches



BA12250



BB10100

SPOOL VALVES

Table 13-499: Air Controls - Spool Valves



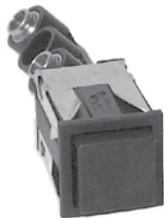
DC10000



DC10100

PUSH BUTTON VALVE

Table 13-500: Air Controls - Push Button Valve



DB10000

MISC. SWITCHES SPECIFICATIONS

Table 13-501: Misc. Switches & Valves Specifications

Part No.	Description	Note
BA12250	Air Sensing Switch	Normally Closed, Opens at 25 PSIG; 1/8"-27 NPTF Male pipe threads
BB10100	Air Sensing Switch	Normally Open, Closes at 21 to 29 PSIG; 1/8"-27 NPTF Male pipe threads
DC10000	Spool Valve	
DC10100	Spool Valve - 4 position	
DB10000	Push Button Valve	

LOUVERS


LOUVERS

Table 13-502: Louvers

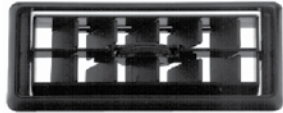
 <p>GA10500</p>	
Opening	4 25/32"
Outside Diameter	4 5/8"


 <p>GA11700</p>	
Opening	n/a
Outside Diameter	3-1/2"

 <p>GA12000</p>	
Opening	n/a
Outside Diameter	2-1/2"

 <p>GA12050</p>	
Opening	n/a
Outside Diameter	1-3/8" x 4-3/8"

 <p>GA12100</p>	
Opening	n/a
Outside Diameter	3"


 <p>GB10000</p>	
Opening	n/a
Outside Diameter	1-3/4" x 5-1/8"

 <p>GB10050</p>	
Opening	n/a
Outside Diameter	1-11/16" x 5-11/16"

 <p>GB10100</p>	
Opening	n/a
Outside Diameter	Fits 2-1/2" Hole


 <p>GB10150</p>	
Opening	n/a
Outside Diameter	2"

LOUVERS (CONTINUED)




GB10200

Opening	n/a
Outside Diameter	1-25/32" x 5-1/16"




GB10400

Opening	n/a
Outside Diameter	2-11/16" x 6-1/2"



GB10450

Opening	n/a
Outside Diameter	4-1/2"



GB10500

Opening	3 5/8"
Outside Diameter	3 5/16"



GB10600

Opening	n/a
Outside Diameter	23/32" x 2 7/16"




GB11650

Opening	n/a
Outside Diameter	3 1/2"




GB11850

Opening	n/a
Outside Diameter	3 1/2"




Snap In
GB11950

Opening	1 3/8" x 5 3/4"
Outside Diameter	n/a



Stud Mount
GB12100

Opening	1 5/8" x 5 1/8"
Outside Diameter	n/a




Oval Connection
GB12200

Opening	1-3/4" x 3-5/8"
Outside Diameter	n/a



GB12250

Opening	2-1/2"
Outside Diameter	2-1/2" Hose Adapter



GB12300

Opening	1-1/8" x 8-1/2"
Outside Diameter	n/a

LOUVERS (CONTINUED)




GB12350

Opening	n/a
Outside Diameter	3" x 3/4"




GB12400

Opening	1-1/4" x 5-2/9"
Outside Diameter	2-1/9" x 5-4/9"



GB1245

Opening	3.38"
Outside Diameter	3.75"



GB12500

Opening	2-7/9" x 7-4/9"
Outside Diameter	3-1/4" x 7-2/3"




GB12550

Opening	3-1/3"
Outside Diameter	3/8"



GB1260

Opening	3.38"
Outside Diameter	3.75"




GB13350

Opening	n/a
Outside Diameter	4" x 2-1/2"



GB1345

Opening	n/a
Outside Diameter	7.875" x 3.8125"



GB13500

Opening	2-1/4" x 2"
Outside Diameter	3"

LOUVERS SPECIFICATIONS

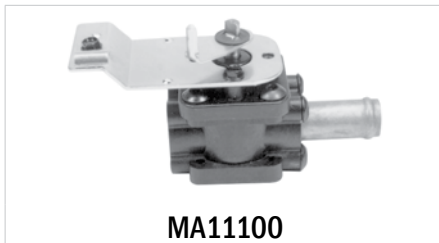
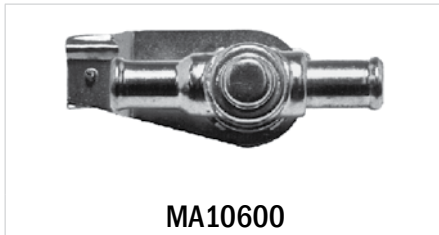
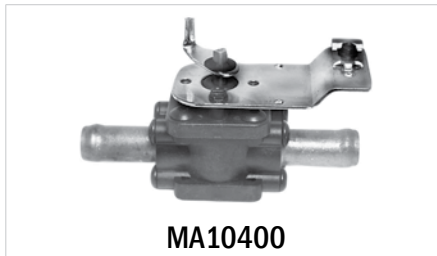
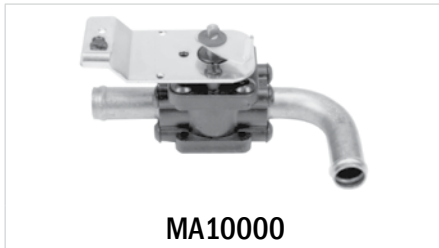
Table 13-504: Louvers Specifications

Part No.	Description	Type	Opening	Outside Diameter
GA10500	Black Plastic	Oval Louver	4-25/32"	4-5/8"
GA11700	Assembly - Round Black Plastic	Defrost Outlet	n/a	3-1/2"
GA12000	Assembly - Round Black Plastic	Defrost Outlet	n/a	2-1/2"
GA12050	Rectangle Black Plastic	Louver	n/a	1-3/8" x 4-3/8"
GA12100	Assembly - Round Black Plastic	Defrost Outlet	n/a	3"
GB10000	Rectangle Black Plastic	Louver	n/a	1-3/4" x 5-1/8"
GB10050	Rectangle Black Plastic	Louver	n/a	1-11/16" x 5-11/16"
GB10100	Round Black Plastic	Ball Louver	n/a	Fits 2-1/2" Hole
GB10150	Round Black Plastic	Diffuser, Flush	n/a	2"
GB10200	Rectangle Black Plastic	Diffuser	n/a	1-25/32" x 5-1/16"
GB10400	Rectangle Black Plastic	Louver	n/a	2-11/16" x 6-1/2"
GB10450	Round Black Plastic	Diffuser, Flush	n/a	4-1/2"
GB10500	Round Black Plastic	Diffuser, with Base	3-5/8"	3-5/16"
GB10600	Rectangle Black Plastic	Louver	n/a	23/32" x 2-7/16"
GB11650	Round Black Plastic	Diffuser, with Base	n/a	3-1/2"
GB11850	Round Black Plastic	Diffuser, Flush	n/a	3-1/2"
GB11950	Rectangle Black Plastic	Louver	1-3/8" x 5-3/4"	Snap In
GB12100	Rectangle Black Plastic	Louver	1-5/8" x 5-1/8"	Stud Mount
GB12200	Rectangle Black Plastic	Louver	1-3/4" x 3-5/8"	Oval Connection
GB12250	Round Black Plastic	Ball Louver	2-1/2"	2-1/2" Hose Adapter
GB12300	Oval Black Plastic	Fixed Vane	1-1/8" x 8-1/2"	n/a
GB12350	Rectangle Black Plastic	Louver		3" x 3/4"
GB12400	Rectangle Black Plastic	Louver	1-1/4" x 5-2/9"	2-1/9" x 5-4/9"
GB1245	Round Black Plastic	Diffuser Assembly	3.38"	3.75"
GB12500	Rectangle Black Plastic	Louver	2-7/9" x 7-4/9"	3-1/4" x 7-2/3"
GB12550	Round Black Plastic	Diffuser & Adapter Assembly	3-1/3"	3/8"
GB1260	Round Black Plastic	Diffuser & Adapter Assembly	3.38"	3.75"
GB13350	Rectangle Black Plastic	Bezel	n/a	4" x 2-1/2"
GB1345	Rectangle Black Plastic	Small Raised Roof Louver	n/a	7.875" x 3.8125"
GB13500	Round Black Plastic	Round Louver	2-1/4" x 2"	3"
GB1355	Rectangle Black Plastic	Louver	n/a	6.125" x 2.125"

WATER VALVES

CABLE CONTROLLED WATER VALVES

Table 13-505: Water Valves - Cable Controlled



CABLE CONTROLLED WATER VALVES (CONTINUED)



MA12700



MA12750



MA12850



MA13400



MA13500



MA13550



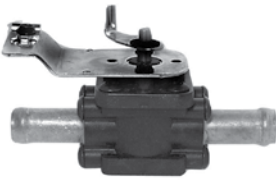
MA13650



MA14250



MA14450



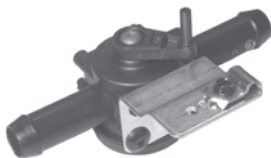
MA14800



MA15850



MA15950



MA16900



MA16950



MA17000

Note: Loosen set screws to rotate 90° elbow if different position is necessary.

CABLE CONTROLLED WATER VALVE SPECIFICATIONS

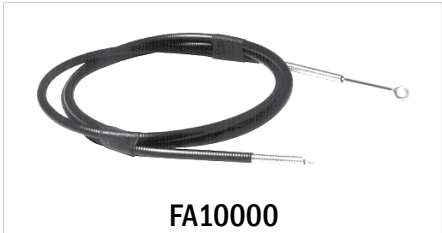

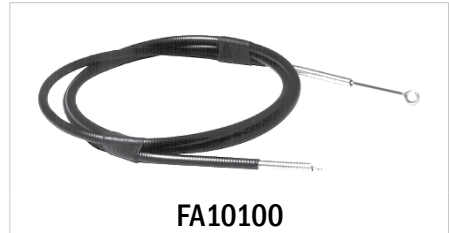
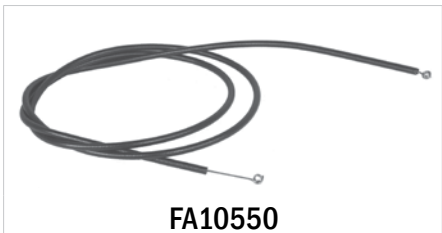




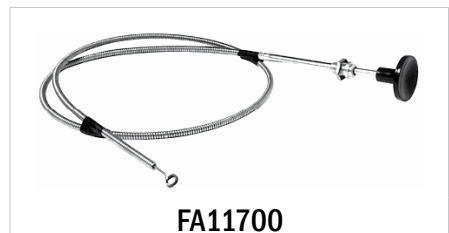
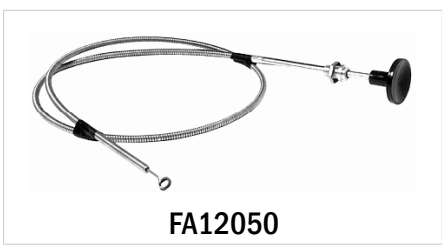
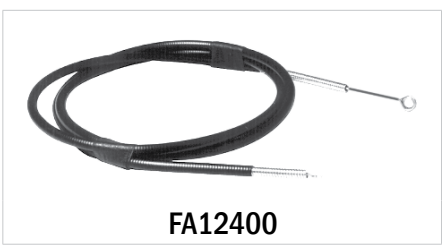
Table 13-506: Water Valves - Cable Controlled Specifications

Part No.	Description	Note
MA10000	5/8" Hose x 5/8" Hose 90° Elbow	Pull to Close
MA10100	5/8" Hose x 5/8" Hose 90° Elbow	Pull to Close
MA10150	5/8" Hose x 5/8" Hose	Pull to Open
MA10250	5/8" Hose x 5/8" Hose 90° Elbow	Pull to Open
MA10400	5/8" Hose to 5/8" NPT	Pull to Close
MA10450	5/8" Hose x 5/8" Hose	Pull to Open
MA10600	5/8" Hose x 5/8" Hose Automotive Type In-Line	n/a
MA10650	5/8" Hose x 5/8" Hose Automotive Type In-Line	n/a
MA11000	5/8" Hose x 5/8" Hose	Pull to Close
MA11100	5/8" Hose to Core Mount	Pull to Close
MA11650	5/8" Hose x 5/8" Hose	Pull to Close
MA12050	5/8" Hose x 5/8" Hose 90° Elbow	Pull to Close
MA12700	5/8" Hose x 5/8" Hose 90° Elbow	Pull to Close
MA12750	5/8" Hose x 5/8" Hose Automotive Type In-Line	n/a
MA12850	5/8" Hose x 5/8" Hose 90° Elbow	Pull to Open
MA13400	5/8" Hose x 5/8" Hose	Pull to Open
MA13500	1/2" NPT to 1/2" Hose	n/a
MA13550	5/8" Hose x 5/8" Hose 90° Elbow	Pull to Close
MA13650	5/8" Hose to Core Mount	Pull to Open
MA14250	5/8" Hose x 5/8" Hose	Pull to Open
MA14450	3/4" Hose x 3/4" Hose	Pull to Open
MA14800	5/8" Hose x 5/8" Hose	Pull to Open
MA15850	5/8" Hose x 3/4" Hose	n/a
MA15950	5/8" Hose x 5/8" Hose	Pull to Open
MA16900	5/8" Hose x 5/8" Hose	n/a
MA16950	5/8" Hose x 5/8" Hose	n/a
MA17000	5/8" Hose x 5/8" Hose	n/a

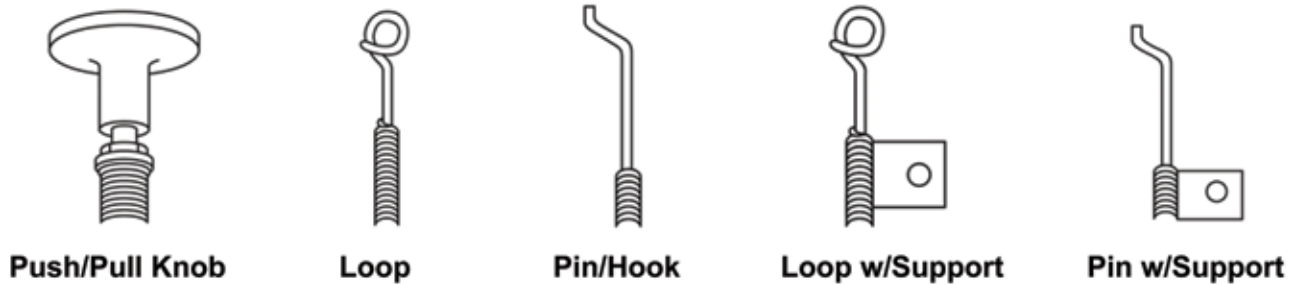
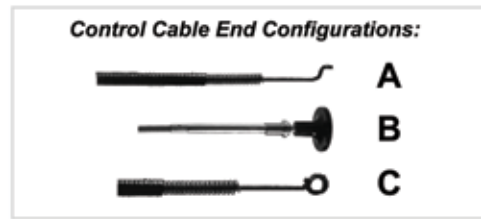
Note: Loosen set screws to rotate 90° elbow if different position is necessary.

CONTROL CABLES

Table 13-507: Water Valves - Control Cables

 <p>FA10000</p>	 <p>FA10050</p>	 <p>FA10100</p>
 <p>FA10550</p>	 <p>FA10650</p>	 <p>FA10950</p>
 <p>FA11200</p>	 <p>FA11400</p>	 <p>FA11700</p>
 <p>FA12050</p>	 <p>FA12400</p>	

CONTROL CABLES CONFIGURATION



CONTROL CABLES SPECIFICATIONS

Table 13-508: Water Valves - Control Cables Specifications

Part No.	Length	End 1	End 2	Part No.	Length	End 1	End 2
FA10000	36"	A	C	FA11700	76" with knob	C	B
FA10050	41"	C	C	FA12050	38" with knob	C	B
FA10100	48"	C	C	FA12400	57"	A	C
FA10550	70"	C	C	FA13500	43"	A	C
FA10650	29"	A	C	FA13550	45"	A	C
FA10950	76"	A	C	FA13600	43"	A	A
FA11200	46"	A	C	FA13650	35"	A	C
FA11400	46"	C	C				

Note: Loosen set screws to rotate 90° elbow if different position is necessary.

MANUAL HEATER SHUT-OFF WATER VALVES

Table 13-509: Water Valves - Manual Heater Shut-Off



MANUAL HEATER SHUT-OFF SPECIFICATIONS

Table 13-510: Water Valves - Manual Heater Shut-Off Specifications

Part No.	Description
MA11400	3/4" Hose x 3/4" Hose
MA12350	3/8" Hose x 3/8" NPT
MA12800	5/8" Hose x 5/8" Hose
MA14650	3/4" Hose x 1/2" NPT
MA14850	5/8" Hose x 1/2" NPT
MA15000	3/8" Female NPT to 3/8" NPT
MA15050	5/8" Hose x 3/8" Male Pipe
MA15250	5/8" Flare x 1/2" NPT
MA15350	3/8" Female NPT to 1/2" NPT

Note: Loosen set screws to rotate 90° elbow if different position is necessary.

HEATER FITTINGS

Table 13-511: Water Valves - Heater Fittings



HEATER FITTINGS SPECIFICATIONS

Table 13-512: Water Valves - Heater Fittings Specifications

Part No.	Description
AB20950	Heater Fitting
AB34300	Heater Fitting
UD10700	Heater Fitting
UD11200	Heater Fitting

CONDENSERS

CONDENSER QUICK REFERENCE & APPLICATION GUIDE

Table 13-513: Condenser Quick Reference & Application Guide

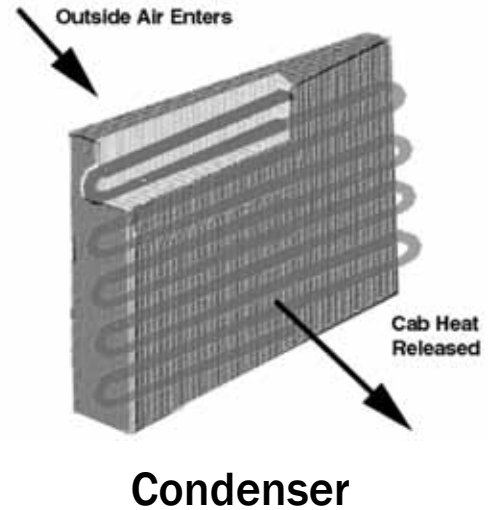
Part No.	OEM Part No.	Applications
CHEVY/GMC		
PB1450BSM	52450299	SERIES 40-75
FORD		
PB13000	F2HZ-19712-A	L SERIES
PB13050	F6HT-19710B-A	AEROMAX L8000
PB14600	E1HZ-19712-A	L SERIES
FREIGHTLINER		
PA14450	A22-14434-1, A22-25255-0	FLC, W SERIES
PA15600	22-32466-001	FLD SERIES
PA15650	22-42084-002	C SERIES
PA15700	680-830-03-70	FL SERIES (BUSINESS CLASS)
PB12650	22-39302-001	FLD SERIES
PB13150	22-43941-000	FLD112
INTERNATIONAL		
PA12800	2505650C92, 2586812C91	8000 SERIES
PB12000	1675462C2	8000 SERIES
PB12150	2000655C2	4000 SERIES
PB12200	2004801C4	8000 SERIES
PB12250	1652584C92	2000 SERIES
KENWORTH		
PA01250	K122-125	T600/T800 1995-2000
PA50080	486684-5008	T2000 1996-2006
PA01430	K122-143	T800W 1995-2000

Part No.	OEM Part No.	Applications
KYSOR		
PA10050	401034	KYSOR
PA10300	401030	KYSOR ROOFTOP KC100
PA14300	401023	KYSOR
PA14350	401024	KYSOR
PA14400	401025	KYSOR
PA14500	401036	KYSOR
PA14650	401075	KYSOR
PA14850	401054	KYSOR
MACK		
PA11600	210RD46AM	MH SERIES
PA12750	210RD411M	CH SERIES
PB13200	210RD412	DH SERIES
PB13300	210RD510/54M	CH SERIES
PB13400	210RD418	ALL with OEM#
PB13600	210RD45A	R,U,DM SERIES
PETERBILT		
PA11900	RD4-4161-0	MID RANGER LOW CAB FORWARD
PB10250	RD4-3724-0	300 SERIES with RED DOT COND.
PB60430	F31-6043	2005-07
PB40150	18-04015	1995-2004
RED DOT		
PA12000	RDG-7024-0	RED DOT
VOLVO		
PA14500	61203-3001,2	RBII, WAH, WCA, WG, WIA
PB12750	3092918	VN SERIES
PB12800	8074693	VN SERIES
PB13650	8157100	ALL with OEM#
PB14300	61203-3203	ALL with OEM#
WESTERN STAR		
PB14350	61203-3403	ALL with OEM#

CONDENSER SERVICE TIPS

Table 13-514: Condenser Service Tips





The condenser and evaporator are both designed to exchange heat. Heat is removed from the Cab by the evaporator and released outside the Cab by the condenser.



Expansion Valve Service Tips

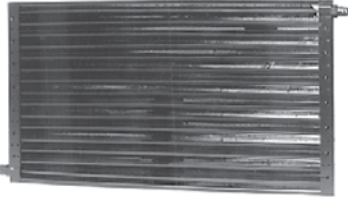
Condenser Location	The most common block valve failure is due to the loss of gas pressure inside the Power Head.
Coil Fins	Plugged expansion valves cannot be flushed out, they must be replaced.
Inspect for Damage	Inspect for abrasions or damaged tubing. Straighten bent fins with fin comb.
Operating Temperature	With the system running the evaporator will be cold to touch while the condenser will be hot to touch.
Ensure Operability	Ensure the condenser fan is operable.
Temperature Change — Inlet to Outlet	The condenser will produce (5° - 15°C) temperature decreases from inlet to outlet, while the evaporator will return slight temperature increases from inlet to outlet.

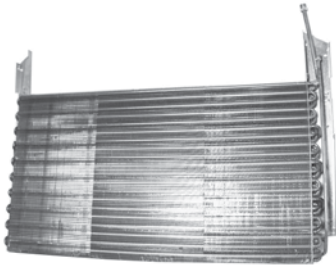
Typical Header Types

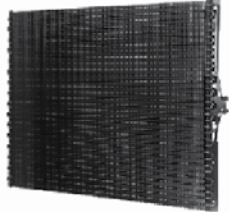
Type 1	Type 2	Type 3	Type 4
			
SERPENTINE	TUBE AND FIN	GRILLDENSER	PARALLEL FLOW
Continuous extruded aluminum tube, 3/4 to 2 inches thick. The fin is either Skyve type or vacuum brazed ribbon type spaced approximately 14 fins per inch. High heat rejection, compact size exact OEM replacements.	Constructed with .008 thick aluminum corrugated fin 3/4 to 2 1/2 inches thick. Fin spacing at 10 to 12 fins per inch providing maximum heat rejection. Tubes are either copper or aluminum.	Constructed with .030 to .050 thick aluminum, fins are 3/4 inch thick. Fins are spaced at 2 to 4 fins per inch providing minimal air flow restriction. Tubes are either .035 inches wall aluminum or .022 inches wall copper.	Constructed with tube assemblies connecting to a common tank at both ends of the condenser. Commonly found in smaller, newer R-134a vehicles with limited air flow. Offers superior heat rejection.


CONDENSER COILS

Table 13-515: Condenser Coils

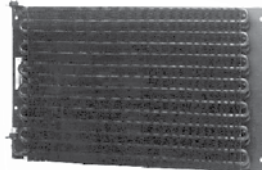
PA10050	
	
Length (A)	27-1/4"
B	n/a
Width (C)	14-3/4"
Thickness	3/4"

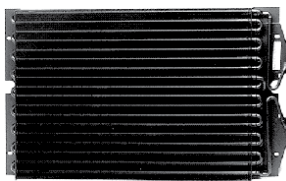
PA10300	
	
Length (A)	36"
B	n/a
Width (C)	20"
Thickness	2-1/4"

PA11500	
	
Length (A)	48-3/8"
B	40-1/2"
Width (C)	33"
Thickness	2-1/4"

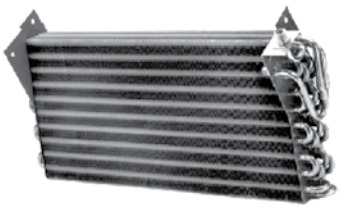
PA11600	
	
Length (A)	33"
B	31-7/8"
Width (C)	8-1/2"
Thickness	1-1/4"

PA11850	
	
Length (A)	19-17/64"
B	15-13/32"
Width (C)	18-3/32"
Thickness	1-1/2"

PA11900	
	
Length (A)	24-7/16"
B	20"
Width (C)	14-1/8"
Thickness	1-1/2"

PA11950	
	
Length (A)	30-1/4"
B	25-1/2"
Width (C)	18-3/16"
Thickness	1-3/4"

PA12000	
	
Length (A)	39-7/8"
B	37"
Width (C)	32"
Thickness	3/4"

PA12050	
	
Length (A)	23-1/3"
B	20-7/8"
Width (C)	12"
Thickness	3-1/3"

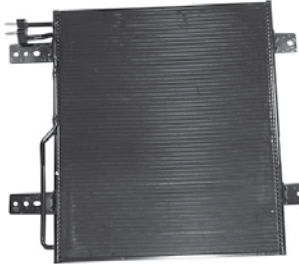
CONDENSER COILS (CONTINUED)

PA12750



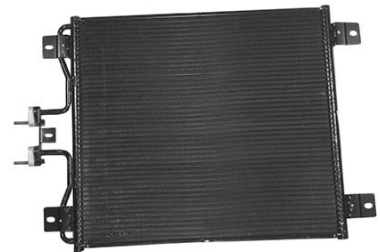
Length (A)	6-1/2"
B	n/a
Width (C)	39-1/2"
Thickness	1"

PA12800



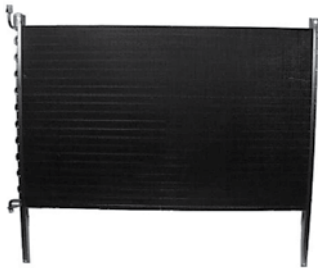
Length (A)	21-11/32"
B	19-31/32"
Width (C)	24-25/64"
Thickness	5/8"

PA12850



Length (A)	n/a
B	n/a
Width (C)	n/a
Thickness	n/a

PA12900



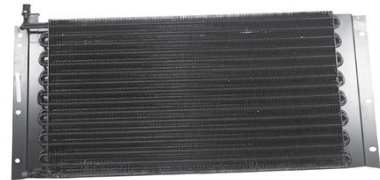
Length (A)	36"
B	n/a
Width (C)	22-1/2"
Thickness	3/4"

PA12950



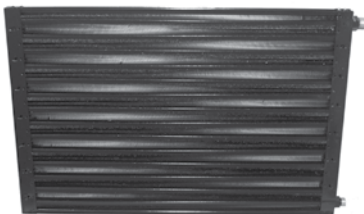
Length (A)	29"
B	n/a
Width (C)	26"
Thickness	3/4"

PA13000



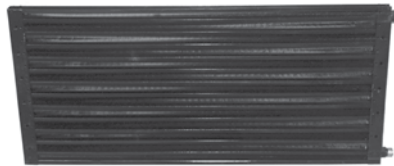
Length (A)	28-3/4"
B	n/a
Width (C)	16"
Thickness	1-1/4"

PA14300

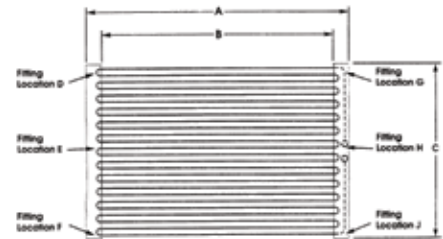


Length (A)	23-51/64"
B	n/a
Width (C)	14-45/64"
Thickness	3/4"

PA14350



Length (A)	29-51/64"
B	n/a
Width (C)	13-19/32"
Thickness	3/4"



CONDENSER COILS (CONTINUED)

PA14400



Length (A)	35-51/64"
B	n/a
Width (C)	11-1/2"
Thickness	3/4"

PA14450



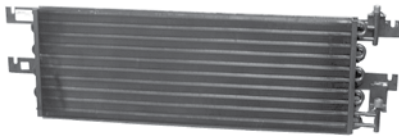
Length (A)	27-1/4"
B	n/a
Width (C)	14-3/4"
Thickness	3/4"

PA14650



Length (A)	32-51/64"
B	n/a
Width (C)	9-13/32"
Thickness	2"

PA15600



Length (A)	29"
B	n/a
Width (C)	10"
Thickness	2"

PA15650



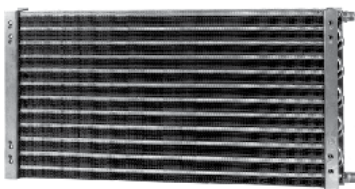
Length (A)	34"
B	n/a
Width (C)	20"
Thickness	1"

PA15700



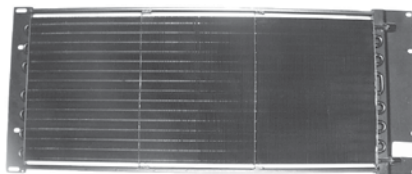
Length (A)	25"
B	n/a
Width (C)	20"
Thickness	7/8"

PB10250

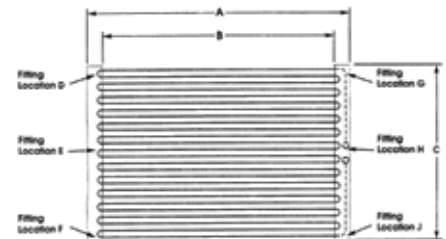


Length (A)	25"
B	23"
Width (C)	12-1/4"
Thickness	1-3/4"

PB10300



Length (A)	29-3/4"
B	27-1/8"
Width (C)	15-3/4"
Thickness	3/4"



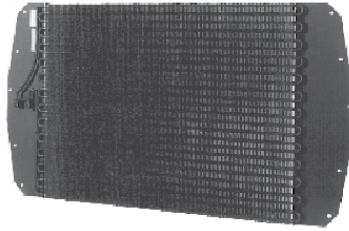
CONDENSER COILS (CONTINUED)

PB10450



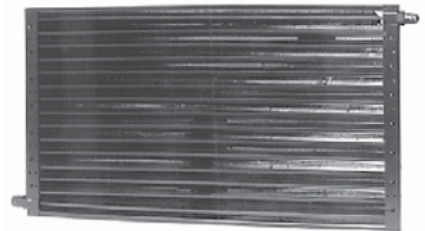
Length (A)	23-3/4"
B	20-7/8"
Width (C)	11-7/16"
Thickness	1-7/8"

PB10500



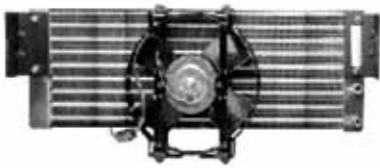
Length (A)	48-1/4"
B	34-1/4"
Width (C)	25-3/4"
Thickness	3/4"

PB10550



Length (A)	27"
B	25-1/4"
Width (C)	14-3/4"
Thickness	3/4"

PB10700



Length (A)	26-2/3"
B	24-3/4"
Width (C)	9-1/8"
Thickness	2-1/4"

PB10750



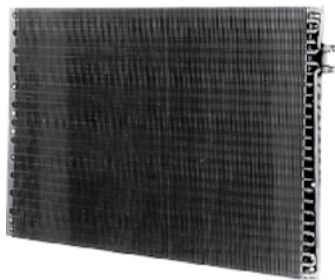
Length (A)	22-15/16"
B	19-1/2"
Width (C)	11-3/4"
Thickness	2"

PB10850



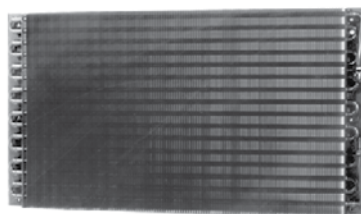
Length (A)	27-1/4"
B	28-1/4"
Width (C)	32"
Thickness	3/4"

PB10900

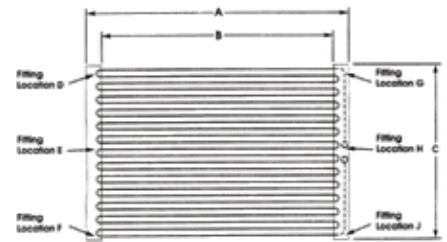


Length (A)	37"
B	34-1/4"
Width (C)	25-3/4"
Thickness	3/4"

PB11050

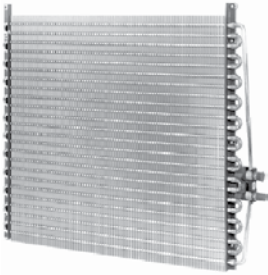


Length (A)	34-3/4"
B	31"
Width (C)	16-1/2"
Thickness	3/4"



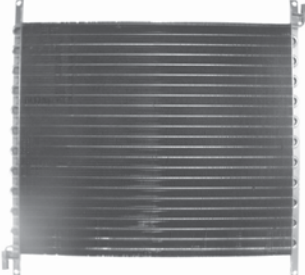
CONDENSER COILS (CONTINUED)

PB11200



Length (A)	28-3/8"
B	26-1/2"
Width (C)	26"
Thickness	3/4"

PB12000



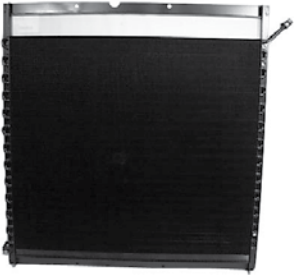
Length (A)	29"
B	n/a
Width (C)	24"
Thickness	1"

PB12200



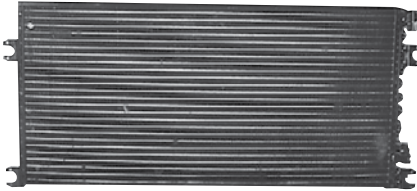
Length (A)	31-3/8"
B	n/a
Width (C)	24"
Thickness	7/8"

PB12250



Length (A)	28"
B	n/a
Width (C)	25"
Thickness	n/a

PB12750




Length (A)	37"
B	n/a
Width (C)	16-1/4"
Thickness	7/8"

PB12800



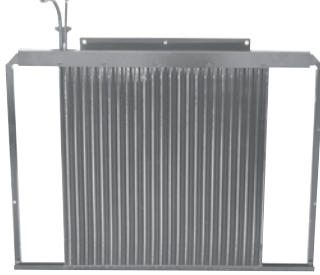
Length (A)	n/a
B	n/a
Width (C)	n/a
Thickness	n/a

PB13000

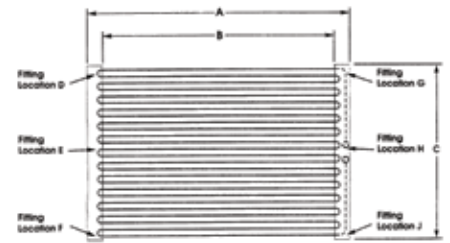


Length (A)	26-1/2"
B	n/a
Width (C)	21"
Thickness	1"

PB13200

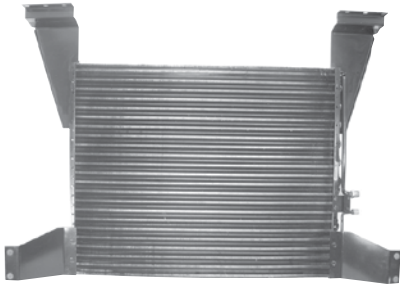


Length (A)	24"
B	n/a
Width (C)	25"
Thickness	1"



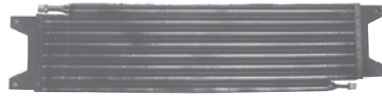
CONDENSER COILS (CONTINUED)

PB13300



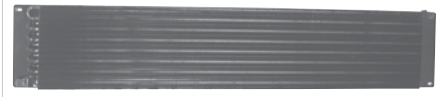
Length (A)	28"
B	n/a
Width (C)	23"
Thickness	1"

PB13600



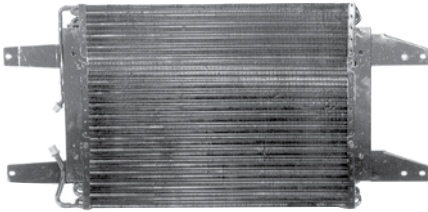
Length (A)	28 1/4"
B	n/a
Width (C)	8"
Thickness	1 3/8"

PB14300



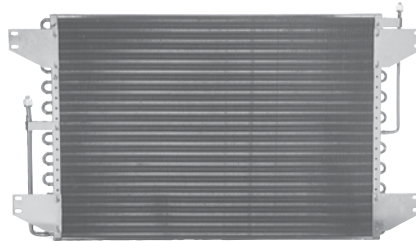
Length (A)	38"
B	n/a
Width (C)	8"
Thickness	1 3/8"

PB1450BSM

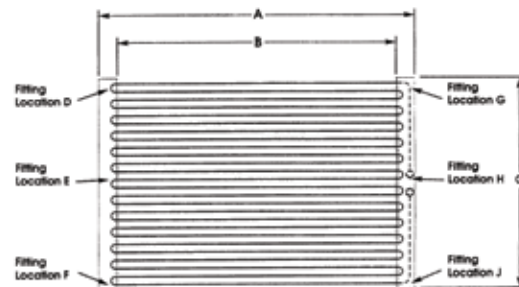


Length (A)	24"
B	n/a
Width (C)	18"
Thickness	1 3/8"

PB14600



Length (A)	32"
B	n/a
Width (C)	22"
Thickness	3/4"



CONDENSER COILS SPECIFICATIONS

Table 13-516: Condenser Coils Specifications

Part No.	Application	Length (A)	(B)	Width (C)	Thickness	Fittings #6	Fittings #8	Fins Per Inch	Header Type	Notes
PA10050		27-1/4"	n/a	14-3/4"	3/4"	No. 8 (3/4"-16) Male O-Ring	No. 6 (5/8"-18) Male O-Ring			
PA10300	KC-100	36"	n/a	20"	2-1/4"	n/a	n/a			5
PA11500	General Purpose	48-3/8"	40-1/2"	33"	2-1/4"					2,5
PA11600	Mack	33"	31-7/8"	8-1/2"	1-1/4"	F	D			2,3
PA11850	General Purpose	19-17/64"	15-13/32"	18-3/32"	1-1/2"	D	F	12	1	2,4,6
PA11900	Midranger R-2130	24-7/16"	20"	14-1/8"	1-1/2"	J	G	12	1	2,4,6
PA11950	International	30-1/4"	25-1/2"	18-3/16"	1-3/4"	H	H	10	1	4,6
PA12000	Peterbilt 359	39-7/8"	37"	32"	3/4"	J	G	3	1	2,5
PA12050	Red Dot R-6100	23-1/3"	20-7/8"	12"	3-1/3"	G	G	12	2	4,6
PA12450	R-9727	22-5/8"	19-5/8"	10-1/8"	2-3/4"	G	G	12	3	4,6
PA12750		6-1/2"	n/a	39-1/2"	1"	n/a	n/a			
PA12800	International	21-11/32"	19-31/32"	24-25/64"	5/8"	Pad Mount	Pad Mount			
PA12850	International	n/a	n/a	n/a	n/a	n/a	n/a			
PA12900	International	36"	n/a	22-1/2"	3/4"	Male O-Ring	Male O-Ring			
PA12950	International	29"	n/a	26"	3/4"	Male O-Ring	Male O-Ring			
PA13000	International	28-3/4"	n/a	16"	1-1/4"	Male O-Ring	Male O-Ring			
PA14300		23-51/64"	n/a	14-45/64"	3/4"	n/a	n/a			
PA14350		29-51/64"	n/a	13-19/32"	3/4"	n/a	n/a			
PA14400		35-51/64"	n/a	11-1/2"	3/4"	n/a	n/a			
PA14450		27-1/4"	n/a	14-3/4"	3/4"	No. 8 (3/4"-16) Male O-Ring	No. 6 (5/8"-18) Male O-Ring			

Notes:

1. Hood Mount.
2. Radiator Mount
3. Serpentine Type.
4. Tube & Fin Construction.
5. Grilldenser Construction.
6. Copper Material.
7. Aluminum Material.

Part No.	Application	Length (A)	(B)	Width (C)	Thickness	Fittings #6	Fittings #8	Fins Per Inch	Header Type	Notes
PA14500		29-3/4"	n/a	15-3/4"	3/4"	No. 8 (3/4"-16) Male O-Ring	No. 6 (5/8"-18) Male O-Ring			
PA14650		32-51/64"	n/a	9-13/32"	2"	n/a	n/a			
PA14850		30"	n/a	9-7/16"	2"	n/a	n/a			
PA15600	Freightliner	29"	n/a	10"	2"	n/a	n/a			
PA15650	Freightliner	34"	n/a	20"	1"	n/a	n/a			
PA15700	Freightliner	25"	n/a	20"	7/8"	Male O-Ring	Male O-Ring			
PB10250	General Purpose	25"	23"	12-1/4"	1-3/4"	J	G	12	3	2,4,6
PB10300	White	29-3/4"	27-1/8"	15-3/4"	3/4"	J	G			2,4
PB10450	Red Dot R-6000, R-6060	23-3/4"	20-7/8"	11 7/16"	1-7/8"	F	F	12	2	4,6
PB10500	Ford L	48-1/4"	34-1/4"	25-3/4"	3/4"	E	E	4	1	1,5,6
PB10550	Freightliner, Western Star	27"	25-1/4"	14-7/8"	3/4"	F	G			2,3
PB10700	Midliner R-2110	26-2/3"	24-3/4"	9-1/8"	2-1/4"	J	H	12	1	2,4,6
PB10750	General Purpose	22-15/16"	19-1/2"	11-3/4"	2"	J	H	12		4
PB10850	General Purpose	30-7/8"	28-1/4"	32"	3/4"	E	E	4	2	2,5,6
PB10900	ICH's 2000 & Up	37"	34-1/4"	25-3/4"	3/4"	G	G	4	1	2,5,6
PB11050	General Purpose	34-3/4"	31"	16-1/2"	3/4"	H	H	4	1	2,5
PB11200	Mack RL/RS	28-3/8"	26-1/2"	26"	3/4"	E	E	3	1	1,5
PB12000	International	29"	n/a	24"	1"	No. 8 (3/4"-16) Male O-Ring	No. 6 (5/8"-18) Male O-Ring			

Notes:

1. Hood Mount.
2. Radiator Mount
3. Serpentine Type.
4. Tube & Fin Construction.
5. Grilldenser Construction.
6. Copper Material.
7. Aluminum Material.

Part No.	Application	Length (A)	(B)	Width (C)	Thickness	Fittings #6	Fittings #8	Fins Per Inch	Header Type	Notes
PB12150	International	27-1/2"	n/a	24"	1"	n/a	n/a			
PB12200	International	31-3/8"	n/a	24"	7/8"	Male O-Ring	Male O-Ring			
PB12250	International	28"	n/a	25"	n/a	n/a	n/a			
PB12750	Volvo	37"	n/a	16-1/4"	7/8"	No. 8 (3/4"-16) Male O-Ring	No. 6 (5/8"-18) Male O-Ring			
PB12800	Volvo	n/a	n/a	n/a	n/a	n/a	n/a			
PB13000	Ford	26-1/2"	n/a	21"	1"	No. 8 Female Spring Lock	No. 8 Female Spring Lock			

Notes:

1. Hood Mount.
2. Radiator Mount
3. Serpentine Type.
4. Tube & Fin Construction.
5. Grilldenser Construction.
6. Copper Material.
7. Aluminum Material.

UNIVERSAL CONDENSERS



UNIVERSAL CONDENSER COIL OPTIONS

Table 13-517: Universal Condenser Coil Options

Part No.	Length	Width	Thickness	Inlet	Outlet
PA14300	23-3/4"	15-3/4"	n/a	No. 8 (3/4"-16) Male O-Ring	No. 6 (5/8"-18) Male O-Ring
PA14350	29-3/4"	13-5/8"	3/4"	No. 8 (3/4"-16) Male O-Ring	No. 6 (5/8"-18) Male O-Ring
PA14400	35-3/4"	11-1/2"	n/a	No. 8 (3/4"-16) Male O-Ring	No. 6 (5/8"-18) Male O-Ring
PA14450	27"	14-3/4"	8/9"	No. 8 (3/4"-16) Male O-Ring	No. 6 (5/8"-18) Male O-Ring
PA14500	29-3/4"	15-1/4"	3/4"	No. 8 (3/4"-16) Male O-Ring	No. 6 (5/8"-18) Male O-Ring

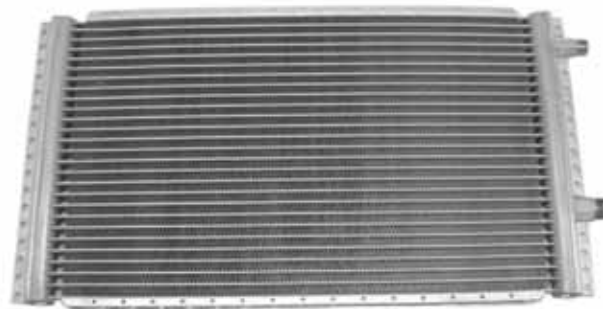
Multi-Flow Condensers

The Multi-Flow design was created to make a very efficient condensing unit in a compact yet sturdy package. The first all-aluminum multi-flow condenser provides quality and innovation that marked the initial launch of this remarkable product. All the multi-flow condensers are USA made with all the skill and quality of American labor and materials under exacting quality and performance standards.

- 22mm design - Gives you 33% more capacity when compared to traditional 16mm condenser of the same length and width
- Thin Cross Tube Profile - Decrease air resistance for improved engine cooling
- Louvered Fins - designed to provide heat transfer due to improved airflow
- Patented End Tanks - manufactured from a specially designed one-piece extrusion for extra strength and durability
- Zinc Coating - on the fins and cross flow tubes to improve corrosion resistance and maintain superior heat exchange capability
- Nocolok Oven Brazing - Patented process in which all aluminum parts are oven brazed to create homogenous assembly with joints that are leak free and reliable
- Unitized construction - A special fin support plate at the top and bottom bolsters structural integrity
- Pre-punched side mounting flanges - for mounting ease and flexibility

FLEXIBLE AND RUGGED

The compact design, high-heat transfer capability and side mounting flanges combine to make a very versatile unit to fit a wide variety of applications. Since one unit can fit a variety of vehicles, your inventory investment can go way down and still maintain more than adequate coverage. The performance of this condenser also offers advantages in terms of cooling capability over an equivalent size drop-in replacement given the same operating conditions. The robust construction ensures that the unit will stay on the vehicle for years in good operating condition with no “come-backs” to worry about.



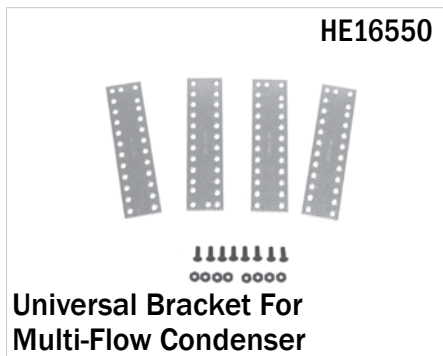
MULTI-FLOW CONDENSER COIL SPECIFICATIONS

Table 13-518: Condensers - Multi-Flow Coil Specifications

Part No.	Length	Width	Thickness	Inlet	Outlet
PA14300	23-3/4"	15-3/4"	n/a	No. 8 (3/4"-16) Male O-Ring	No. 6 (5/8"-18) Male O-Ring
PA14350	29-3/4"	13-5/8"	3/4"	No. 8 (3/4"-16) Male O-Ring	No. 6 (5/8"-18) Male O-Ring
PA14400	35-3/4"	11-1/2"	n/a	No. 8 (3/4"-16) Male O-Ring	No. 6 (5/8"-18) Male O-Ring
PA14450	27"	14-3/4"	8/9"	No. 8 (3/4"-16) Male O-Ring	No. 6 (5/8"-18) Male O-Ring
PA14500	29-3/4"	15-1/4"	3/4"	No. 8 (3/4"-16) Male O-Ring	No. 6 (5/8"-18) Male O-Ring

MULTI-FLOW CONDENSER BRACKETS

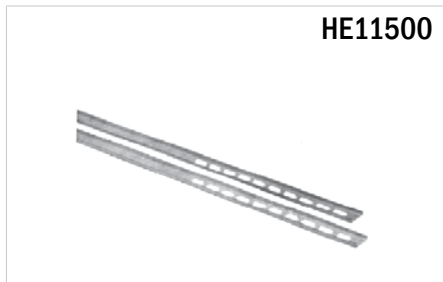
Table 13-519: Condensers - Multi-Flow Condenser Brackets



CONDENSER MOUNTING HARDWARE

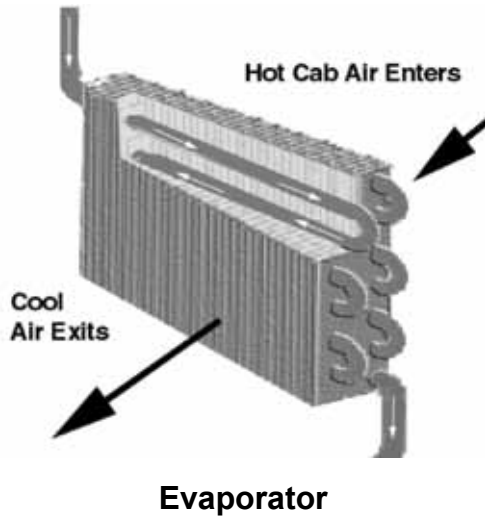
Condensers - Mounting Hardware

Developed to aid the installer, these universal mounting brackets attach directly to the condenser. Brackets will span a radiator with outside dimensions of 44".



EVAPORATORS

EVAPORATOR SERVICE TIPS



The evaporator and condenser are both designed to exchange heat. Heat is removed from the cab by the evaporator and released outside the cab by the condenser.

Evaporator Coil Service Tips

Evaporator Location	The condenser is located on the high-pressure side of the system, while the evaporator is located on the low-pressure side.
Coil Fins	Make sure the coil fins are clean and free of debris and obstructions.
Inspect for Damage	Inspect for abrasions or damaged tubing. Straighten bent fins with fin comb.
Operating Temperature	With the system running the evaporator will be cold to touch while the condenser will be hot to touch.
Ensure Operability	Ensure the condenser fan is operable.
Temperature Change - Inlet to Outlet	The condenser will produce (5° - 15°C) temperature decreases from inlet to outlet, while the evaporator will return slight temperature increases from inlet to outlet.

Replacing the Evaporator Coil

High pressure liquid refrigerant passes through the expansion valve (or in some trucks an orifice tube) where it is metered into the evaporator on the low pressure side of the system. The instant this liquid is depressurized, it evaporates into a gas, which absorbs heat. The evaporator gets very cold because heat is being absorbed into the gaseous refrigerant. The heat will later be transferred back into the air at the condenser. The thermostat, which prevents moisture from freezing on the evaporator fins by shutting off the compressor, has a capillary tube inserted into the fins at their coldest point. Evaporator failures are usually due to leaks caused by vibration or impact, sometimes because the expansion valve is not properly fastened and the tubes of the evaporator are allowed to flex. Other leaks can be caused by moisture buildup in the system which has produced acid. Suspected leaks can sometimes be confirmed by examining the condensate drain pan under the heater and evaporator coils. Any oil found in the drain pan indicates a refrigerant leak.

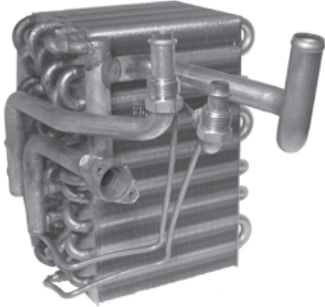
1. Gain access to the evaporator, thermostat capillary tube and expansion valve.
2. After evacuating the system, remove the thermostat capillary tube from the evaporator, noting its location and depth. Mark these with a felt marker if possible.
3. Disconnect and cap the refrigerant lines at the expansion valve and evaporator outlet, noting the location of the equalizer tube (if used) from the expansion valve. Remove the evaporator carefully.
4. Examine the disconnected lines for any debris. Gray material at the outlet of the evaporator will indicate acid damage and necessitate complete system flushing and some component replacement. This type of damage only comes with severe neglect such as failure to change the receiver dryer after repairs. All components are in danger of failure when this type of contamination is present. Debris at the inlet of the expansion valve indicates a receiver dryer failure and necessitates replacement of the expansion valve after flushing the lines.
5. Install the new evaporator coil, taking care to replace the thermostat capillary tube properly in the same location and depth in the fins. Add one ounce of refrigerant oil of the proper type to the evaporator inlet before attaching the expansion valve. Use new HNBR or Neoprene 'o'-rings when attaching the expansion valve. Be sure to use the correct oil. The oil type will be listed on the information tag on the vehicle. Check the service manual for the acceptable oil for your particular compressor type.
6. Replace all 'o'-rings that were moved or disturbed in any way, taking care to use HNBR or Neoprene 'o'-rings and proper lubrication.
7. Change the receiver dryer to prevent moisture contamination.
8. Evacuate the system with a vacuum of 29.2 in. Hg (at sea level) for 60 minutes for systems with a sleeper A/C unit or 45 minutes for other systems. This will boil away all moisture absorbed from the air during repairs.

Use only parts from the dealer during repairs. In the severe environment of the Class 6-7-8 trucks, poor quality components will lead to early failure and unwelcome downtime. Taking extra care with the air conditioning system will assure proper functioning and driver comfort.

EVAPORATOR COILS

Table 13-520: Evaporator Coils

MC16400



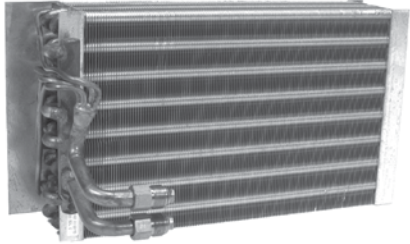
Evaporator & Heater Core Assembly

MC16550



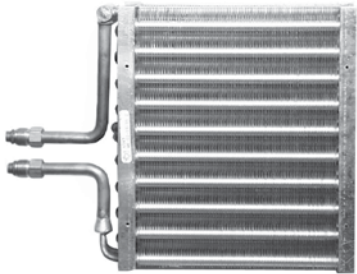
Evaporator & Heater Core Assembly

NA10050



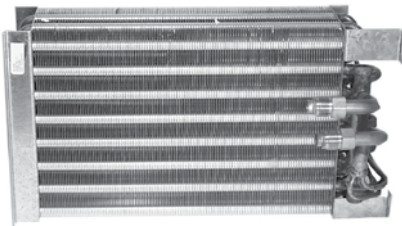
Width (A)	3-1/8"
Height (B)	8"
Length (C)	15"

NA10150



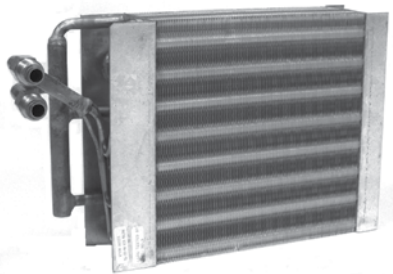
Width (A)	3"
Height (B)	8"
Length (C)	9-1/2"

NA10200



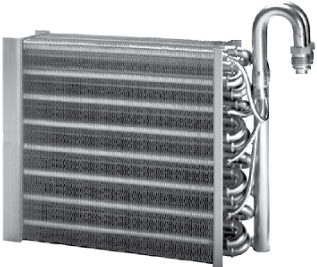
Width (A)	3-1/8"
Height (B)	8"
Length (C)	24"

NA10300



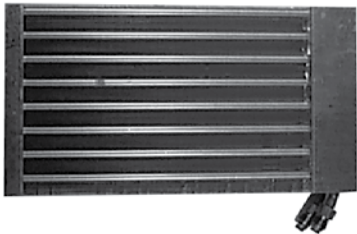
Width (A)	2-1/2"
Height (B)	8"
Length (C)	10-5/16"

NA10400



Width (A)	3-1/8"
Height (B)	8"
Length (C)	8"

NA10450



Width (A)	3-1/8"
Height (B)	8"
Length (C)	24"

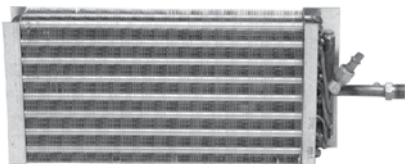
NA10500



Width (A)	3-1/8"
Height (B)	8"
Length (C)	17-9/32"

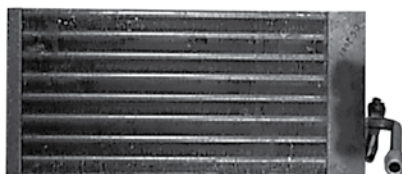
EVAPORATOR COILS (CONTINUED)

NA10600



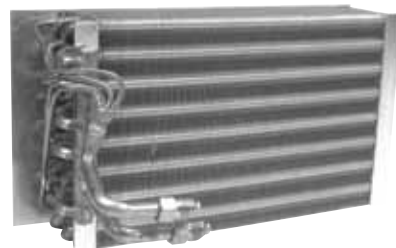
Width (A)	2-1/2"
Height (B)	8"
Length (C)	14-3/4"

NA10750



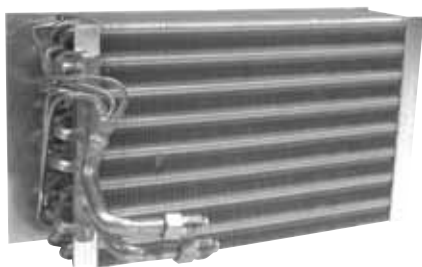
Width (A)	2-1/2"
Height (B)	5"
Length (C)	12"

NA10900



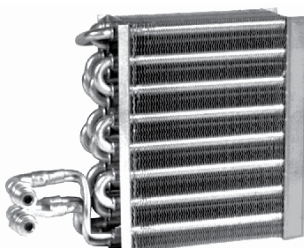
Width (A)	3-1/8"
Height (B)	8"
Length (C)	15"

NA10950



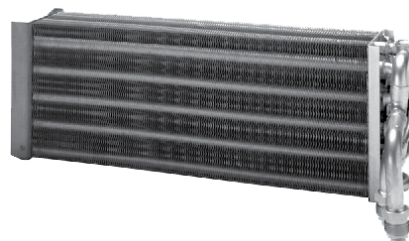
Width (A)	2-1/2"
Height (B)	8"
Length (C)	9"

NA11350



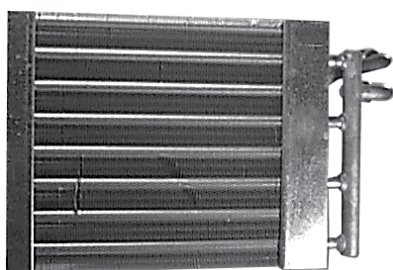
Width (A)	2-1/2"
Height (B)	8"
Length (C)	6-7/8"

NA11450



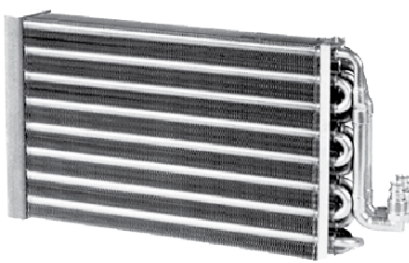
Width (A)	2-7/8"
Height (B)	5"
Length (C)	12-7/16"

NA11500

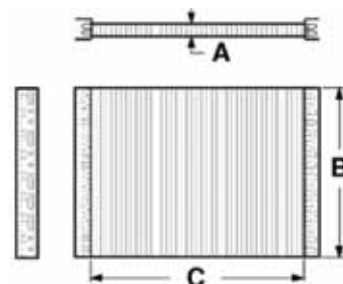


Width (A)	3-1/8"
Height (B)	8"
Length (C)	10-5/16"

NA11700

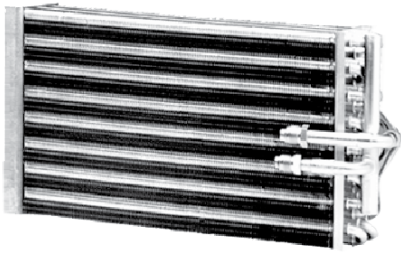


Width (A)	2-1/2"
Height (B)	8"
Length (C)	11-13/16"



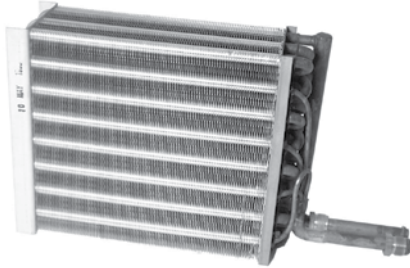
EVAPORATOR COILS (CONTINUED)

NA11800



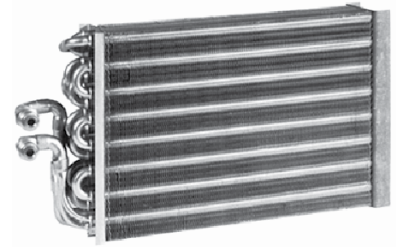
Width (A)	3-1/8"
Height (B)	8"
Length (C)	12-11/16"

NA11900



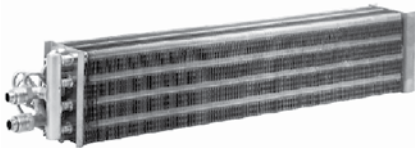
Width (A)	3-1/8"
Height (B)	8"
Length (C)	8-1/4"

NA11950



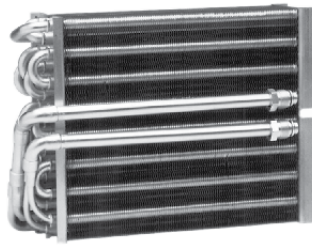
Width (A)	2-1/2"
Height (B)	8"
Length (C)	11-1/8"

NA12000



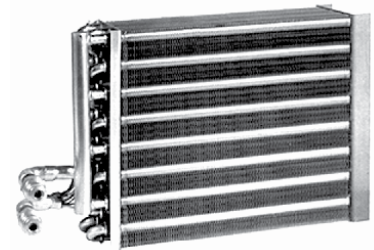
Width (A)	2-1/2"
Height (B)	4"
Length (C)	19-1/8"

NA12300



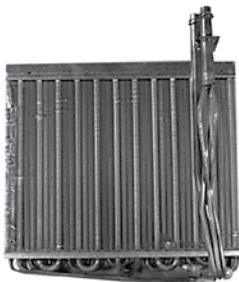
Width (A)	2-1/2"
Height (B)	8"
Length (C)	9"

NA12350



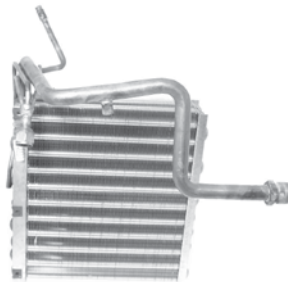
Width (A)	3-1/8"
Height (B)	8"
Length (C)	9"

NA12650



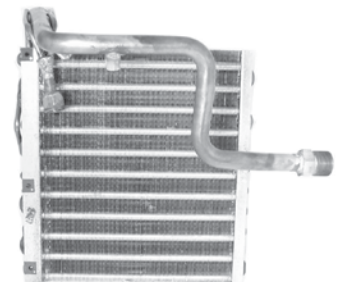
Width (A)	1-7/8"
Height (B)	12"
Length (C)	8-7/8"

NA12700



Width (A)	2-1/2"
Height (B)	11"
Length (C)	9"

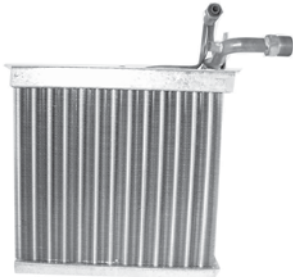
NA12750



Width (A)	2-5/8"
Height (B)	11"
Length (C)	9 1/2"

EVAPORATOR COILS (CONTINUED)

NA12800



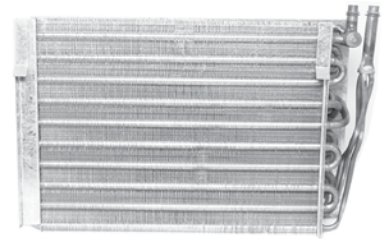
Width (A)	1-7/8"
Height (B)	12"
Length (C)	11-1/4"

NA12850



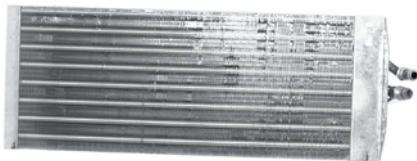
Width (A)	2-5/16"
Height (B)	12-1/4"
Length (C)	11-1/4"

NA12900



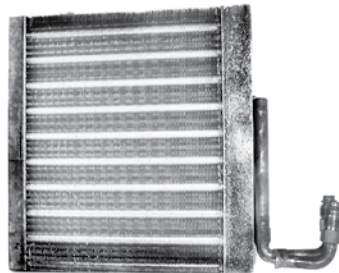
Width (A)	2-5/8"
Height (B)	10"
Length (C)	13"

NA12950



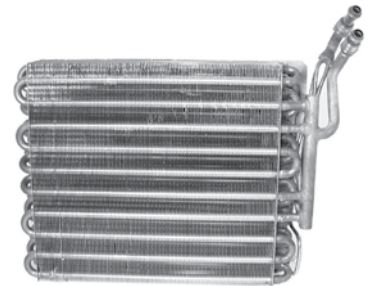
Width (A)	6-15/32"
Height (B)	8-3/32"
Length (C)	18-3/4"

NA13000



Width (A)	2-9/16"
Height (B)	10"
Length (C)	7-11/16"

NA13050



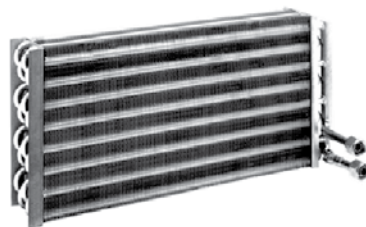
Width (A)	3-1/8"
Height (B)	10"
Length (C)	10-3/4"

NA14750

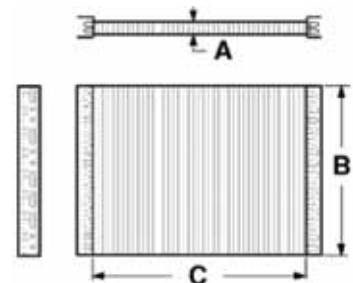


Width (A)	3-1/8"
Height (B)	10-1/8"
Length (C)	12-3/4"

NB10050

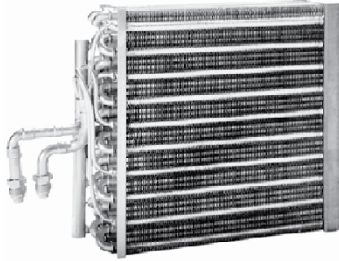


Width (A)	2-1/2"
Height (B)	8"
Length (C)	14-9/16"



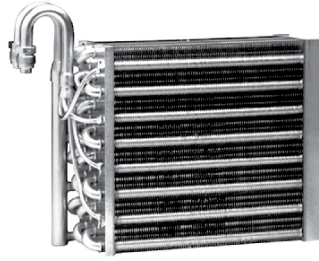
EVAPORATOR COILS (CONTINUED)

NB10250



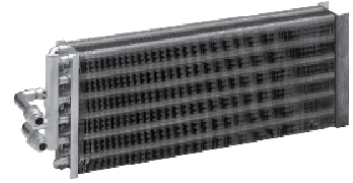
Width (A)	3-1/8"
Height (B)	10-3/32"
Length (C)	9"

NB10300



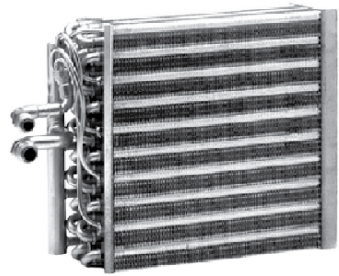
Width (A)	2-1/2"
Height (B)	8"
Length (C)	8"

NB10350



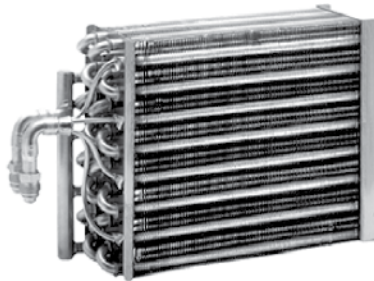
Width (A)	2-5/32"
Height (B)	6"
Length (C)	15"

NB10450



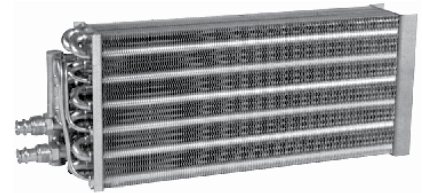
Width (A)	3-1/8"
Height (B)	10"
Length (C)	9"

NB10600



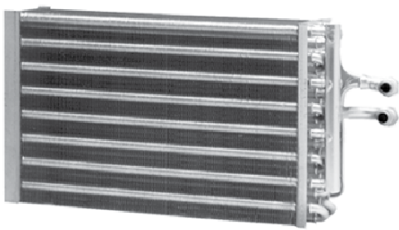
Width (A)	3-3/8"
Height (B)	8"
Length (C)	9"

NB10650



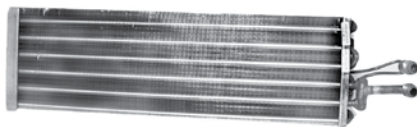
Width (A)	2-1/2"
Height (B)	6"
Length (C)	12-1/2"

NC10000

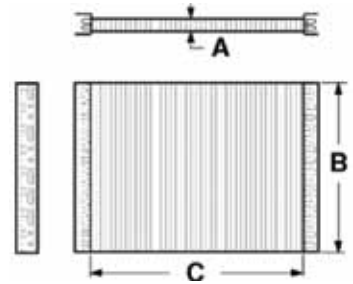


Width (A)	3-1/8"
Height (B)	8"
Length (C)	12"

NC10100



Width (A)	2-1/2"
Height (B)	6"
Length (C)	19 3/4"



EVAPORATOR SPECIFICATIONS

Table 13-521: Evaporators Specifications

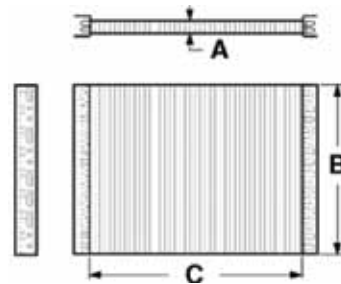
Part No.	Width (A)	Height (B)	Length (C)
NA10050	3-1/8"	8"	15"
NA10150	3"	8"	9-1/2"
NA10200	3-1/8"	8"	11-5/8"
NA10300	2-1/2"	8"	10-5/16"
NA10400	3-1/8"	8"	8"
NA10450	3-1/8"	8"	15"
NA10500	3-1/8"	8"	17-9/32"
NA10600	2-1/2"	8"	14-3/4"
NA10750	2-1/2"	5"	12"
NA10900	3-1/8"	8"	15"
NA10950	2-1/2"	8"	9"
NA11100	1-7/8"	6"	15-1/8"
NA11350	2-1/2"	8"	6-7/8"
NA11450	2-7/8"	5"	12-7/16"
NA11500	3-1/8"	8"	10-5/16"
NA11700	2-1/2"	8"	11-13/16"
NA11800	3-1/8"	8"	12-11/16"
NA11900	3-1/8"	8"	8-1/4"
NA11950	2-1/2"	8"	11-1/8"
NA12000	2-1/2"	4"	19-1/8"
NA12300	2-1/2"	8"	9"
NA12350	3-1/8"	8"	9"
NA12650	1-7/8"	12"	8-7/8"
NA12700	2-1/2"	11"	9"
NA12750	2-5/8"	11"	9-1/2"
NA12800	1-7/8"	12"	11-1/4"
NA12850	2-5/16"	12-1/4"	11-1/4"
NA12900	2-5/8"	10"	13"
NA12950	6-15/32"	8-3/32"	18-3/4"
NA13000	2-9/16"	10"	7-11/16"
NA13050	3-1/8"	10"	10-3/4"
NA14750	3-1/8"	10-1/8"	12-3/4"
NB10050	2-1/2"	8"	14-9/16"
NB10250	3-1/8"	10-3/32"	9"

Part No.	Width (A)	Height (B)	Length (C)
NB10300	2-1/2"	8"	8"
NB10350	2-5/32"	6"	15"
NB10450	3-1/8"	10"	9"
NB10600	3-3/8"	8"	9"
NB10650	2-1/2"	6"	12-1/2"
NC10000	3-1/8"	8"	12"
NC10100	2-1/2"	6"	19-3/4"

Width is coil dimension; e.g. 4 rows of tubes is 2 1/2 inches.

† Height of coil is measured along the fin.

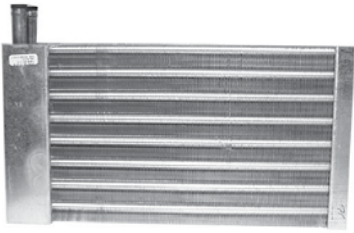
‡ Length of coil is the fin segment between header plates.



HEATER CORES

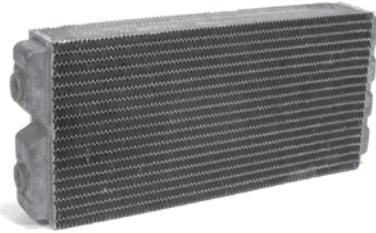
Table 13-522: Heater Cores

MC10050



Width (A)	2-1/2"
Height (B)	8"
Length (C)	15"

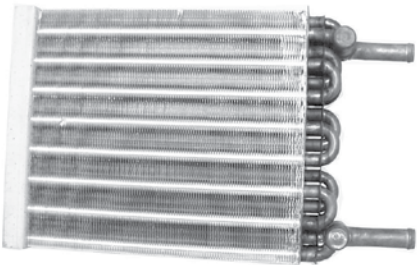
MC10100



1/2" Inlet, 1/2" Outlet

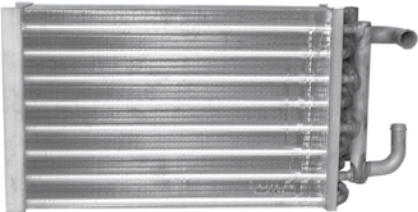
Width (A)	2-7/16"
Height (B)	7-7/8"
Length (C)	14-1/2"

MC10150



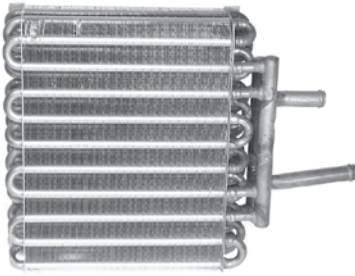
Width (A)	3"
Height (B)	8"
Length (C)	9"

MC10250




Width (A)	2-1/2"
Height (B)	8"
Length (C)	12"

MC10450



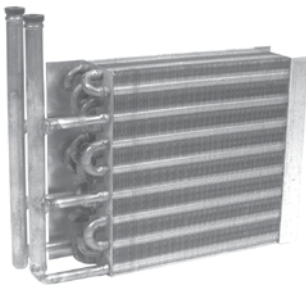
Width (A)	2-1/2"
Height (B)	10"
Length (C)	7-1/2"

MC10500



Width (A)	1-7/8"
Height (B)	7"
Length (C)	9-3/4"

MC10550

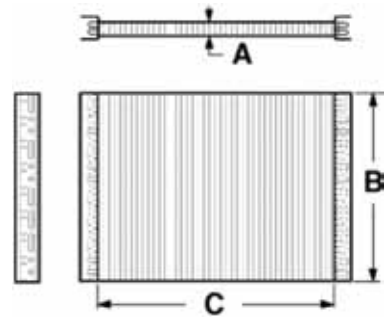


Width (A)	2-1/2"
Height (B)	8"
Length (C)	10-5/16"

MC10600

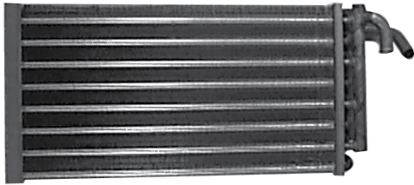


Width (A)	2-1/2"
Height (B)	8"
Length (C)	8"



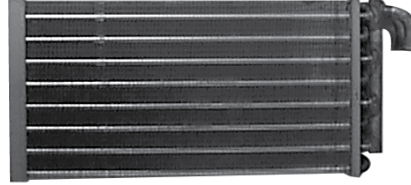
HEATER CORES (CONTINUED)

MC10950



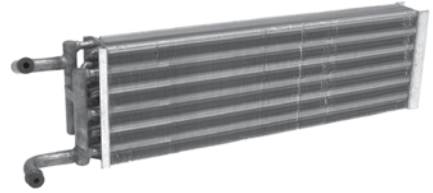
Width (A)	2-1/2"
Height (B)	8"
Length (C)	14-9/16"

MC11000



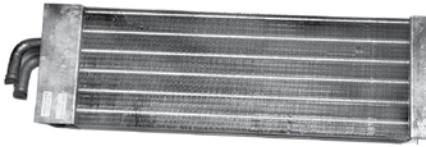
Width (A)	2-1/2"
Height (B)	8"
Length (C)	14-1/2"

MC11200



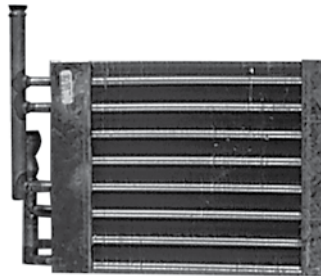
Width (A)	1-7/8"
Height (B)	6"
Length (C)	19-3/4"

MC11300



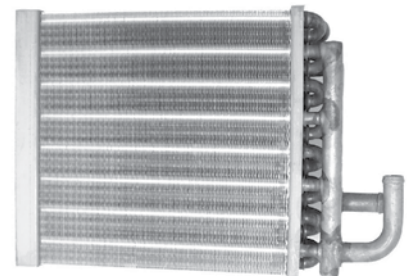
Width (A)	2-1/2"
Height (B)	6"
Length (C)	19-1/8"

MC11350



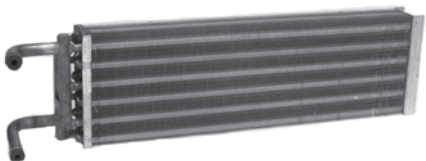
Width (A)	1-7/8"
Height (B)	8"
Length (C)	10 5/16"

MC1150



Width (A)	2-1/2"
Height (B)	8"
Length (C)	8"

MC11650

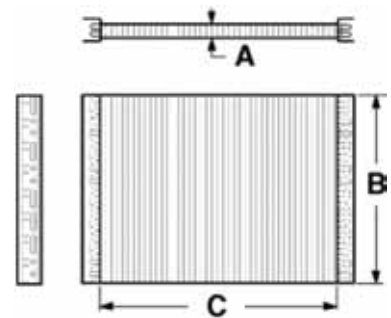


Width (A)	1-7/8"
Height (B)	6"
Length (C)	19-3/4"

MC11700

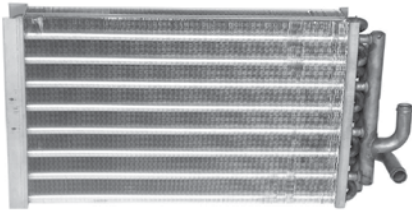


Width (A)	2-1/2"
Height (B)	6"
Length (C)	19-3/4"



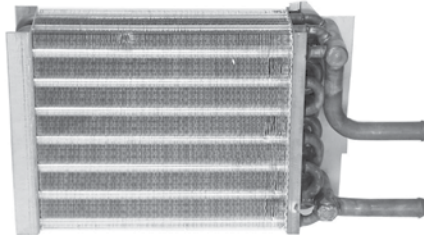
HEATER CORES (CONTINUED)

MC12200



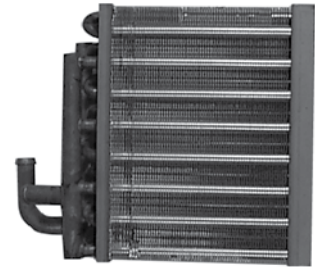
Width (A)	1-7/8"
Height (B)	8"
Length (C)	12-11/16"

MC12350



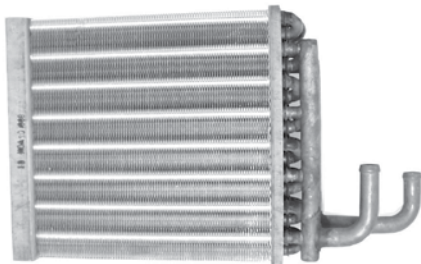
Width (A)	2-1/2"
Height (B)	12"
Length (C)	11"

MC12550



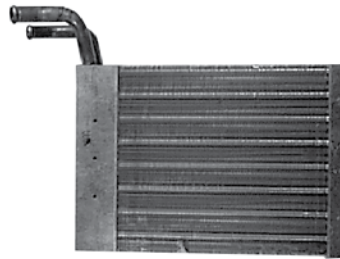
Width (A)	2-7/8"
Height (B)	8"
Length (C)	5-5/8"

MC12850



Width (A)	2-7/8"
Height (B)	8"
Length (C)	7-7/8"

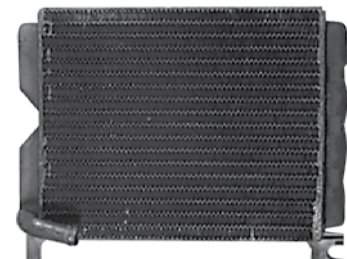
MC13400



3/4" Inlet, 5/8" Outlet

Width (A)	1-7/8"
Height (B)	8"
Length (C)	8-7/8"

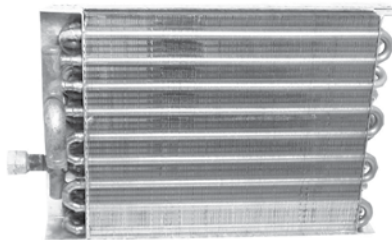
MC13450



5/8" Inlet, 3/4" Outlet

Width (A)	2-3/16"
Height (B)	7-3/4"
Length (C)	9-1/2"

MC13500



1/2" 14 NPT Inlet, 5/8" Outlet

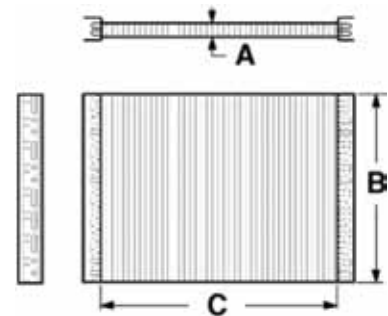
Width (A)	1-15/16"
Height (B)	9"
Length (C)	11"

MC13550



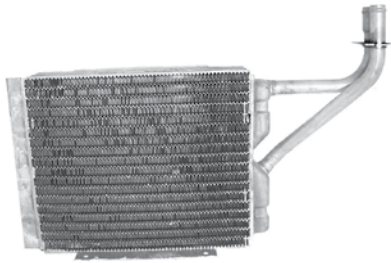
5/8" Inlet, 3/4" Outlet

Width (A)	1-7/8"
Height (B)	9-3/32"
Length (C)	9-5/32"



HEATER CORES (CONTINUED)

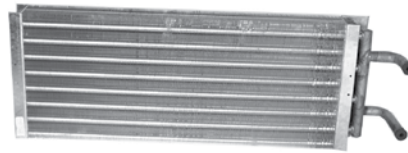
MC13600



5/8" Inlet, 3/4" Outlet

Width (A)	2"
Height (B)	7-3/4"
Length (C)	7-3/4"

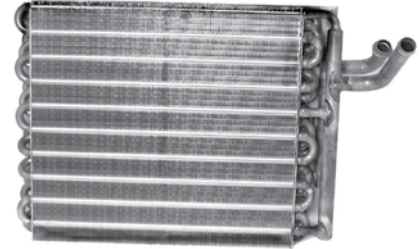
MC13650



5/8" Inlet, 3/4" Outlet

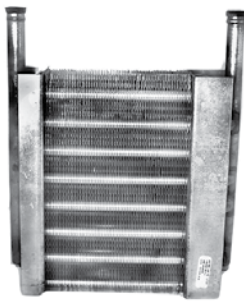
Width (A)	1-7/8"
Height (B)	8"
Length (C)	18-23/32"

MC13750



Width (A)	1-7/8"
Height (B)	10"
Length (C)	10-23/32"

MC13900



Width (A)	2-1/4"
Height (B)	8"
Length (C)	6-11/32"

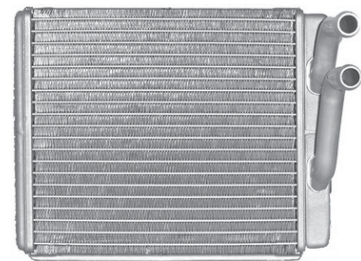
MC14400



5/8" Inlet, 5/8" Outlet

Width (A)	2"
Height (B)	8-1/4"
Length (C)	7-1/4"

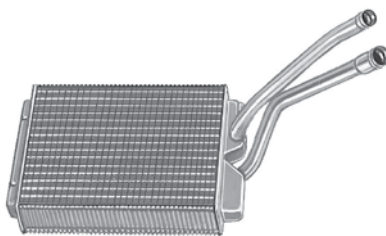
MC14550



5/8" Inlet, 5/8" Outlet

Width (A)	2"
Height (B)	8-1/4"
Length (C)	7"

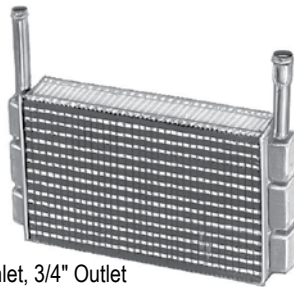
MC1460



5/8" Inlet, 5/8" Outlet

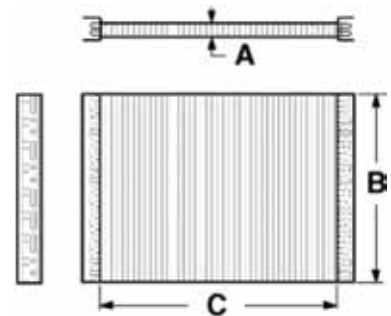
Width (A)	2"
Height (B)	8"
Length (C)	6-1/4"

MC14800



5/8" Inlet, 3/4" Outlet

Width (A)	2"
Height (B)	6-1/4"
Length (C)	9-1/2"



HEATER CORES (CONTINUED)

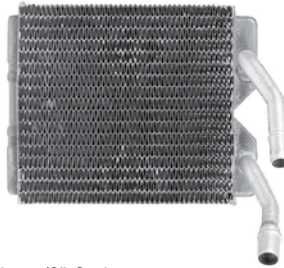
MC14950



5/8" Inlet, 3/4" Outlet

Width (A)	2"
Height (B)	7-3/4"
Length (C)	7-3/8"

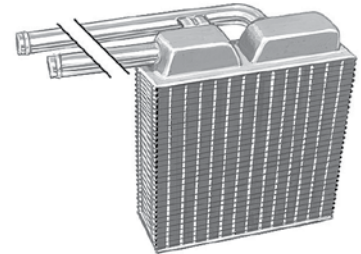
MC15100



5/8" Inlet, 5/8" Outlet

Width (A)	1-3/8"
Height (B)	7-5/8"
Length (C)	7-1/4"

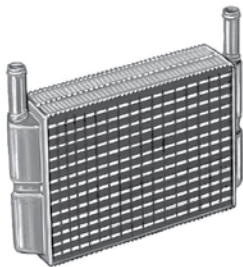
MC15150



5/8" Inlet, 5/8" Outlet

Width (A)	1"
Height (B)	6"
Length (C)	6"

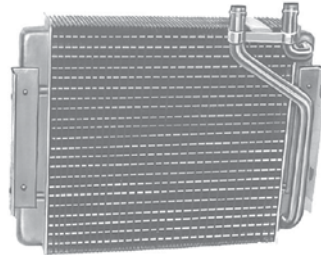
MC15200



5/8" Inlet, 5/8" Outlet

Width (A)	2"
Height (B)	6"
Length (C)	7-3/4"

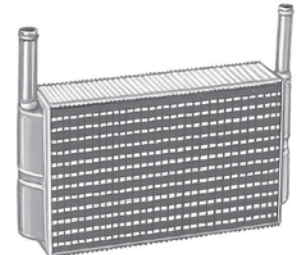
MC15300



5/8" Inlet, 5/8" Outlet

Width (A)	2"
Height (B)	10-5/8"
Length (C)	10"

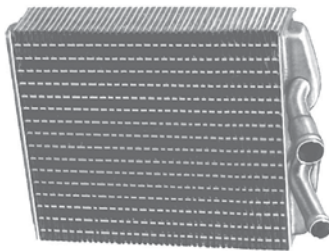
MC1545



5/8" Inlet, 3/4" Outlet

Width (A)	2-1/2"
Height (B)	6"
Length (C)	9-3/4"

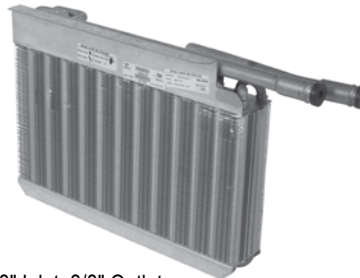
MC15750



5/8" Inlet, 3/4" Outlet

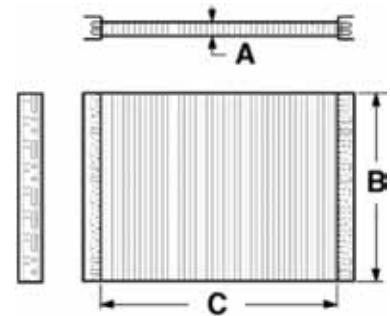
Width (A)	2"
Height (B)	8-1/4"
Length (C)	7-1/4"

MC15800



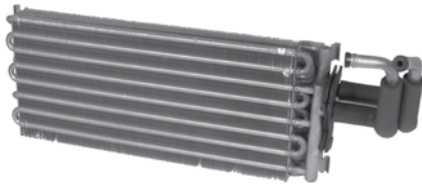
3/8" Inlet, 3/8" Outlet

Width (A)	2-1/2"
Height (B)	8"
Length (C)	8-1/2"



HEATER CORES (CONTINUED)

MC15850



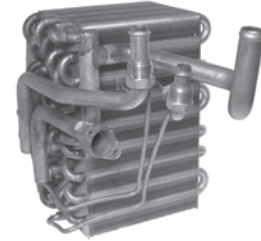
Width (A)	2-1/2"
Height (B)	8"
Length (C)	14-3/4"

MC15900



Width (A)	2-1/2"
Height (B)	5"
Length (C)	12"

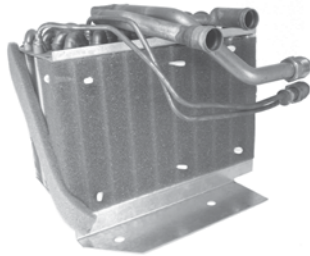
MC16400



3/4" Inlet & Outlet

Width (A)	3-1/8"
Height (B)	8"
Length (C)	15"

MC16550



3/4" Inlet & Outlet

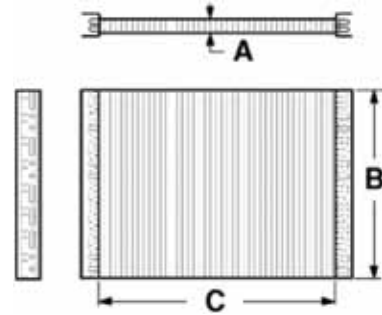
Width (A)	3-1/8"
Height (B)	8"
Length (C)	15"

MC16800



3/4" Inlet & Outlet

Width (A)	3-1/8"
Height (B)	8"
Length (C)	15"



HEATER CORE SPECIFICATIONS

Table 13-523: Heater Core Specifications

Part No.	Description**	Width (A)*	Height (B) †	Length (C) ‡
MC10050		2-1/2"	8"	15"
MC10100	1/2" Inlet, 1/2" Outlet	2-7/16"	7 7/8"	14-1/2"
MC10150		3"	8"	9"
MC10200	1-3/4" O.D. Tube, 1-5/8" O.D. Tube	2-1/2"	8 7/8"	10"
MC10250		2-1/2"	8"	12"
MC10300	2-5/8" O.D.	2-1/2"	12"	8"
MC10450		2-1/2"	10"	7-1/2"
MC10500		1-7/8"	7"	9-3/4"
MC10550		2-1/2"	8"	10-5/16"
MC10600		2-1/2"	8"	8"
MC10650		2-1/2"	8"	14-5/16"
MC10850		2-1/2"	8"	17-9/32"
MC10900		2-1/2"	8"	9"
MC10950		2-1/2"	8"	14-9/16"
MC11000		2-1/2"	8"	14-1/2"
MC11200		1-7/8"	6"	19-3/4"
MC11300		2-1/2"	6"	19-1/8"
MC11350		1-7/8"	8"	10-5/16"
MC11450		1-7/8"	6"	6"
MC11600		2-1/8"	10"	9"
MC11650		1-7/8"	6"	19-3/4"
MC11750		2-7/8"	8"	7-5/16"
MC11800		1-7/8"	10"	9"
MC11900		1-7/8"	8"	15"
MC11950		1-7/8"	6"	12-7/16"
MC12150		2-1/2"	8"	9"
MC12200		1-7/8"	8"	12-11/16"
MC12350	With Drainpan	2-1/2"	7"	8-1/4"
MC12400		2-1/2"	10"	9"
MC12450		2-7/8"	8"	9"
MC12550		2-7/8"	8"	5-5/8"
MC12650		1-7/8"	6"	12-7/16"

Part No.	Description**	Width (A)*	Height (B) †	Length (C) ‡
MC13400	3/4" Inlet, 5/8" Outlet	1-7/8"	8"	8-7/8"
MC13450	5/8" Inlet, 3/4" Outlet	2-3/16"	7-3/4"	9-1/2"
MC13500	1/2" 14 NPT Inlet, 5/8" Outlet	1-15/16"	9"	11"
MC13550	5/8" Inlet, 3/4" Outlet	1-7/8"	9-3/32"	9-5/32"
MC13600	5/8" Inlet, 3/4" Outlet	2"	7-3/4"	7-3/4"
MC13650	5/8" Inlet, 5/8" Outlet	1-7/8"	8"	18-23/32"
MC13750		1-7/8"	10"	10-23/32"
MC14550	5/8" Inlet, 5/8" Outlet	2"	8"	7"
MC14800	5/8" Inlet, 3/4" Outlet	2"	6-1/4"	9-1/2"
MC15200	5/8" Inlet, 5/8" Outlet	2"	6"	7-3/4"
MC15300	5/8" Inlet, 5/8" Outlet	2"	10-5/8"	10"
MC15750	5/8" Inlet, 3/4" Outlet	2"	8-1/4"	7-1/4"
MC15800	No. 6 (5/8"-18) Inlet, No. 6 (5/8"-18) Outlet	2-1/2"	8"	8-1/2"
MC15850		2"	8"	20"
MC15900		2-1/2"	10"	13"
MC16800	3/4" Inlet & Outlet	1-5/8"	7-1/2"	14-1/2"

* Width is coil dimension; e.g. 4 rows of tubes is 2 1/2 inches

† Height of coil is measured along the fin

‡ Length of coil is the fin segment between header plates.

** All heater cores have 5/8" O.D. inlet and outlet nipples unless noted.

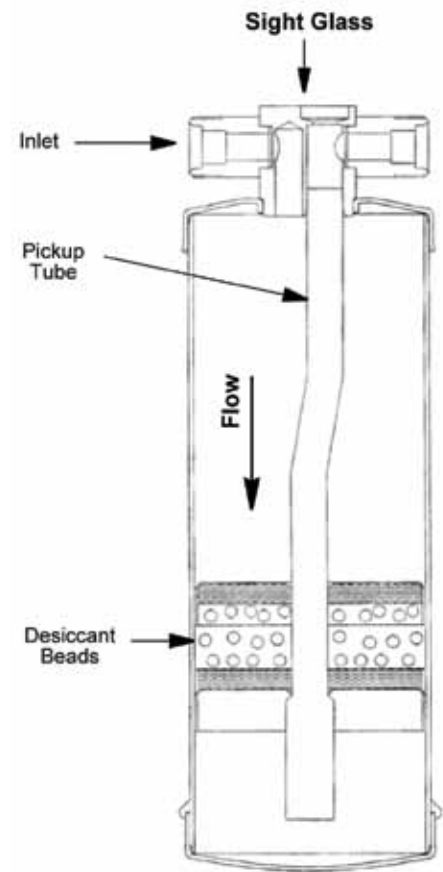
RECEIVER DRIERS

SERVICE TIPS FOR RECEIVER DRIERS

The Receiver Drier stores excess refrigerants, filters out contaminants from the HVAC system, and removes moisture to protect the system from internal corrosion.

Expansion Valve Service Tips

Placement	Placement should be on the high-pressure side and warm to touch during operation.
Visually Inspect for Leaks	Visually inspect fittings; note any oil seepage. This may indicate a leak.
Receiver Drier Replacement	Upon opening the system always replace the receiver drier with a new, original OEM part.
Fittings	Never leave the fittings uncovered prior to installation.
HVAC System Servicing	The receiver drier should be the last component replaced during service of the HVAC system.



Changing the Receiver Drier

The receiver drier contains a desiccant and is designed to remove moisture, filters impurities, and acts as a storage tank for the flow of liquid refrigerant in a vehicle's air conditioning system. The heavy-duty, high capacity receiver driers used in TRP® A/C systems are built to withstand the severe operating conditions and high miles put on Class 6-7-8 trucks, where OEM quality is necessary for proper equipment function and lifespan. In order to ensure long equipment life and cut downtime, please observe the following guidelines:

1. Change the receiver drier anytime the system is opened. This is a necessary step to guarantee long component life. The receiver drier is designed to absorb moisture and will do so from any source, including the air. A receiver drier saturated with moisture will cause acid buildup in the A/C system, and will experience desiccant breakdown, probably causing a plugged expansion valve and a possible seized compressor.
2. After evacuating the system, remove the thermostat capillary tube from the evaporator, noting its location and depth. Mark these with a felt marker if possible.
3. Disconnect and cap the refrigerant lines at the expansion valve and evaporator outlet, noting the location of the equalizer tube (if used) from the expansion valve. Remove the evaporator carefully.
4. Examine the disconnected lines for any debris. Gray material at the outlet of the evaporator will indicate acid damage and necessitate complete system flushing and some component replacement. This type of damage only comes with severe neglect such as failure to change the receiver drier after repairs. All components are in danger of failure when this type of contamination is present. Debris at the inlet of the expansion valve indicates a receiver drier failure and necessitates replacement of the expansion valve after flushing the lines.
5. Install the new evaporator coil, taking care to replace the thermostat capillary tube properly in the same location and depth in the fins. Add one ounce of refrigerant oil of the proper type to the evaporator inlet before attaching the expansion valve. Use new HNBR or Neoprene 'o'-rings when attaching the expansion valve. Be sure to use the correct oil. The oil type will be listed on the information tag on the vehicle. Check the service manual for the acceptable oil for your particular compressor type.
6. Replace all 'o'-rings that were moved or disturbed in any way, taking care to use HNBR or Neoprene 'o'-rings and proper lubrication.
7. Change the receiver drier to prevent moisture contamination.
8. Evacuate the system with a vacuum of 29.2 in. Hg (at sea level) for 60 minutes for systems with a sleeper A/C unit or 45 minutes for other systems. This will boil away all moisture absorbed from the air during repairs.

Use only parts from the dealer during repairs. In the severe environment of the Class 6, 7 and 8 trucks, poor quality components will lead to early failure and unwelcome downtime. Taking extra care with the air conditioning system will assure proper functioning and driver comfort.



RECEIVER DRIER(S)

FEATURES & BENEFITS

- » ClimaTech receiver driers are manufactured using OE materials and exact dimensions.
- » Only spring loaded desiccant containment is used.
- » System performance is maintained to OE specification. If the drier is too large or too small, performance dynamics may be negatively impacted.
- » No installation modifications are necessary, service ports are the same.
- » Identical weight ensures complete system integration with no strain on fittings or brackets.
- » This ensures OE performance and quality. Many replacement driers come with desiccant bags that can break open during operation and damage the A/C system.



RECEIVER DRIER(S)

TRP® Receiver Drier(s) feature a spring-loaded design that keeps desiccant under constant pressure. The lack of free movement prevents desiccant pulverization and escape from the drier. Loose desiccant clogs orifice tubes and expansion valves as well as contaminates the compressor, causing premature system failure. Manufactured using OE materials and dimensions, TRP® Receiver Drier(s) do not require installation modifications.

Notes:

If a canister is too large, the system will not cool properly. If a canister is too small, the flow of refrigerant will be restricted, resulting in poor performance.



Scan the code for more information.
Get the free mobile app at <http://gettag.mobi>


ACCUMULATOR DRIERS

Table 13-524: Receiver Driers - Accumulator Driers

JA20650		JC10800		JC11950	
Diam.	2 1/2"	Diam.	3 1/2"	Diam.	3 1/2"
Height	10"	Height	9 5/64"	Height	8"
Fitting Size	3/8" Male Insert O-Ring	Fitting Size	1-1/16" Inlet & Outlet	Fitting Size	M27 Male Insert O-Ring x M27 Female Insert O-Ring
					
	<i>With Bracket</i>				
				Port	12mm Switch Port
JC21000		JC21450		R-134a Compatible JC21500	
Diam.	n/a	Diam.	3 1/2"	Diam.	3 1/2"
Height	n/a	Height	8"	Height	n/a
Fitting Size	M27 Male Insert O-Ring x M27 Female Insert O-Ring	Fitting Size	5/8" Male Insert O-Ring	Fitting Size	3/4" Female
					
Port	12mm Switch Port	Port	12mm Switch Port, R-134a Quick Coupler Service Port		
JC21550		JC21600		JC21800	
Diam.	2 3/4"	Diam.	3 1/2"	Diam.	3 1/2"
Height	8"	Height	9"	Height	9"
Fitting Size	5/8" Male Insert O-Ring x 3/4" Male Insert O-Ring	Fitting Size	M27 Male Insert O-Ring x M27 Female Insert O-Ring	Fitting Size	3/4" Male Insert O-Ring x 5/8" Female O-Ring
					
Port	Charging Valve, Switch Port	Port	12mm Switch Port	Port	(2) 1/4" Ports

ACCUMULATORS (CONTINUED)

JC21850	
Diam.	3 1/2"
Height	9"
Fitting Size	3/4" Male Insert O-Ring x 3/4" Female O-Ring
Port	(2) 1/4" Ports



ACCUMULATOR RECEIVER DRIERS SPECIFICATIONS

Table 13-525: Accumulators Receiver Driers Specifications

Part No.	Fitting Size	Diameter	Height	R134a	Both
JA20650	3/8" Male Insert O Ring	2 1/2"	10"		
JC10800	1-1/16" Inlet & Outlet	3 1/2"	9 5/64"		
JC11950	M27 Male Insert O Ring x M27 Female Insert O Ring	3 1/2"	8"		
JC21000	M27 Male Insert O Ring x M27 Female Insert O Ring	n/a	n/a		
JC21300	5/8" Male Insert O Ring x 3/4" Male Insert O Ring	3 1/2"	9 1/2"		x
JC21450	5/8" Male Insert O Ring/R 134a Quick Coupler Service Port	3 1/2"	8"		
JC21500	3/4" x 3/4" Female	3 1/2"	n/a	x	
JC21550	5/8" Male Insert O Ring x 3/4" Male Insert O Ring/ Charging Valve	3 1/2"	8"		
JC21600	M27 Male Insert O Ring x M27 Female Insert O Ring	3 1/2"	9"		
JC21800	3/4" Male Insert O Ring x 5/8" Female O Ring	3 1/2"	9"		
JC21850	3/4" Male Insert O Ring x 3/4" Female O Ring	3 1/2"	9"		
JC21900	Pad Mount	3 5/8"	9 3/8"	x	

FLARE TYPE DRIERS

Table 13-526: Receiver Driers - Flare Type

Mounting
See Page 11-306



R-134a Compatible		JA20150
Diam.	2 1/2"	
Height	8"	
Fitting Size	3/4" Male Flare	
Desiccant Level	4	

FLARE TYPE RECEIVER DRIERS SPECIFICATIONS

Table 13-527: Flare Type Receiver Driers Specifications

Part No.	Fitting Size	Diameter	Height	R134a	Desiccant Level
JC20150	3/8" Male Flare	2 1/2"	8"	x	4


IN-LINE DRYERS SPECIFICATIONS

Table 13-528: In-Line Receiver Driers Specifications

Part No.	Fitting Size	Diameter	Height	Both
JA10300	3/8" Male O Ring x 1/2" Male O Ring	2 1/2"	6 3/4"	x

O-RING DRIERS

Table 13-529: Receiver Driers - O-Ring Receiver Driers

<p>GD1135</p> <p>Diam. 3"</p> <p>Height 10-3/32"</p> <p>Fitting Size 3/8" Female O-Ring x 3/8" Male O-Ring</p> <p>Glass 7-7/16"</p> <p>Fuse/Pressure 8-15/16"</p> <p>Desiccant Level 12</p> 	<p>R-134a Compatible JA1045</p> <p>Diam. 2-1/2"</p> <p>Height 8-1/4"</p> <p>Fitting Size 3/8" Male O-Ring</p> <p>Port Side</p> <p>Glass Top</p> <p>Fuse/Pressure Fuse Plug</p> <p>Desiccant Level 12</p> 	<p>R-12/R-134a Compatible JA1070</p> <p>Diam. 2-13/4"</p> <p>Height 10"</p> <p>Fitting Size 3/8" Male O-Ring</p> <p>Port Top</p> <p>Glass Side</p> <p>Fuse/Pressure Fuse Plug</p> 
<p>R-12/R-134a Compatible JA1085</p> <p>Diam. 2-3/4"</p> <p>Height 10"</p> <p>Fitting Size 3/8" Male O-Ring</p> <p>Port Side</p> <p>Glass Top</p> <p>Fuse/Pressure Fuse Plug</p> <p>Desiccant Level 12</p> <p><i>High Capacity</i></p> 	<p>R-12/R-134a Compatible JA1090</p> <p>Diam. 2-3/4"</p> <p>Height 10"</p> <p>Fitting Size 3/8" Male O-Ring</p> <p>Plug Top</p> <p>Glass Side</p> <p>Fuse/Pressure Fuse Plug</p> <p><i>High Capacity</i></p> 	<p>R-12/R-134a Compatible JA1105</p> <p>Diam. 2-3/4"</p> <p>Height 10"</p> <p>Fitting Size 3/8" Male O-Ring</p> <p>Port Top</p> <p>Glass Side</p> <p>Fuse/Pressure Fuse Plug</p> <p><i>w/ Switch</i></p> 
<p>JA1110</p> <p>Diam. 2 3/4"</p> <p>Height 10"</p> <p>Fitting Size 3/8" Male O-Ring</p> <p>Port Side</p> <p>Glass Top</p> <p>Fuse/Pressure Fuse Plug</p> <p><i>w/ Trinary Switch</i></p> 	<p>JA1130</p> <p>Diam. 2 3/4"</p> <p>Height 10"</p> <p>Fitting Size 3/8" Male O-Ring</p> <p>Port Side</p> <p>Glass Top</p> <p>Fuse/Pressure Fuse Plug</p> 	<p>JA1135</p> <p>Diam. 3"</p> <p>Height 10"</p> <p>Fitting Size 3/8" Male O-Ring</p> <p>Fuse/Pressure Fuse Plug/ Gage Port/ Moisture Indicator</p> <p>Desiccant Level 12</p> 

O-RING DRIERS (CONTINUED)


R-12/R-134a Compatible		JA11650
Diam.	3"	 <p><i>High Capacity</i></p>
Height	6"	
Fitting Size	3/8" Male O-Ring	
Port	Side	
Glass	Top	
Fuse/Pressure	Fuse Plug	


R-134a Compatible		JA11700
Diam.	3"	 <p><i>High Capacity</i></p>
Height	6"	
Fitting Size	3/8" Male O-Ring	
Port	Side	
Glass	Top	
Fuse/Pressure	Fuse Plug	

R-12/R-134a Compatible		JA11750
Diam.	3"	 <p><i>w/ Switch</i></p>
Height	6"	
Fitting Size	3/8" Male O-Ring	
Port	Side	
Glass	Top	
Fuse/Pressure	Fuse Plug	

R-12/R-134a Compatible		JA11800
Diam.	3"	
Height	6"	
Fitting Size	3/8" Male O-Ring	
Port	Side	
Glass	Top	
Fuse/Pressure	Fuse Plug	

R-12/R-134a Compatible		JA12700
Diam.	3"	
Height	9"	
Fitting Size	3/8" Male O-Ring (Schrader Ports)	
Port	Side	
Glass	Top	
Fuse/Pressure	Fuse Plug	
Desiccant Level	4	

		JA12750
Diam.	3"	
Height	9-1/4"	
Fitting Size	3/8" Male O-Ring	
Port	Top	
Glass	Side	
Fuse/Pressure	Moisture Indicator	

		JA12800
Diam.	3"	
Height	9-1/4"	
Fitting Size	3/8" Male O-Ring	
Port	Top	
Fuse/Pressure	Moisture Indicator	

R-12/R-134a Compatible		JA13000
Diam.	3"	
Height	8-1/4"	
Fitting Size	3/8" Male O-Ring	
Desiccant Level	12	

R-12/R-134a Compatible		JA13050
Diam.	3"	
Height	10"	
Fitting Size	3/8" Male O-Ring	
Glass	Side	
Desiccant Level	12	


O-RING DRIERS (CONTINUED)

<p>R-12/R-134a Compatible JA13250</p> <p>Diam. 3"</p> <hr/> <p>Height 10"</p> <hr/> <p>Fitting Size 1 1/16" Inlet x 3/8" Outlet Female O-Ring</p> <hr/> <p>Fuse/Pressure Pressure Relief</p> <hr/> <p>Desiccant Level 10</p> 	<p>R-12/R-134a Compatible JA17400</p> <p>Diam. 3"</p> <hr/> <p>Height 10"</p> <hr/> <p>Fitting Size 3/8" Male O-Ring</p> <hr/> <p>Fuse/Pressure Pressure Relief Valve & Moisture Indicator</p> <hr/> <p>Desiccant Level 16</p> 	<p>R-12/R-134a Compatible JA17550</p> <p>Diam. 3"</p> <hr/> <p>Height 8-1/4"</p> <hr/> <p>Fitting Size 3/8" Male O-Ring 3/8" Female O-Ring Outlet</p> <hr/> <p>Fuse/Pressure Pressure Relief Valve/Moisture Indicator</p> <hr/> <p>Desiccant Level 12</p> 
<p>R-12/R-134a Compatible JA17900</p> <p>Diam. 3"</p> <hr/> <p>Height 8-1/4"</p> <hr/> <p>Fitting Size 3/8" Male O-Ring</p> <hr/> <p>Port Top</p> <hr/> <p>Glass Top</p> <hr/> <p>Fuse/Pressure Fuse Plug</p> <hr/> <p>Desiccant Level 12</p> 	<p>R-134a Compatible JA17950</p> <p>Diam. 3"</p> <hr/> <p>Height 10-1/4"</p> <hr/> <p>Fitting Size Quick Disconnect</p> <hr/> <p>Fuse/Pressure 2 Gage Ports/Moisture Indicator</p>  <p style="text-align: center;"><i>Quick Disconnect</i></p>	<p>R-12/R-134a Compatible JA18500</p> <p>Diam. 3"</p> <hr/> <p>Height 6"</p> <hr/> <p>Fitting Size 3/8" Male O-Ring</p> <hr/> <p>Port Side</p> <hr/> <p>Glass Top</p> <hr/> <p>Fuse/Pressure Fuse Plug</p>  <p style="text-align: center;"><i>High Capacity</i></p>
<p>R-12/R-134a Compatible JA18700</p> <p>Diam. 3"</p> <hr/> <p>Height 7-7/8"</p> <hr/> <p>Fitting Size 3/8" Male O-Ring</p> <hr/> <p>Port Top</p> <hr/> <p>Glass Side</p> <hr/> <p>Fuse/Pressure Fuse Plug</p>  <p style="text-align: center;"><i>High Capacity</i></p>	<p>R-12/R-134a Compatible JA18850</p> <p>Diam. 3"</p> <hr/> <p>Height 9-3/4"</p> <hr/> <p>Fitting Size 3/8" Male O-Ring Inlet x 3/8" Female O-Ring Outlet</p> <hr/> <p>Fuse/Pressure Moisture Indicator/Spring Loaded, (2) M10 Ports</p> <hr/> <p>Desiccant Level 16</p>  <p style="text-align: center;"><i>High Capacity</i></p>	<p>R-12/R-134a Compatible JA18900</p> <p>Diam. 3"</p> <hr/> <p>Height 9-3/4"</p> <hr/> <p>Fitting Size 3/8" Male O-Ring</p> <hr/> <p>Port Top</p> <hr/> <p>Glass Top</p> <hr/> <p>Fuse/Pressure Pressure Relief</p> 

O-RING DRIERS (CONTINUED)

R-12/R-134a Compatible		JA18950
Diam.	2-3/4"	
Height	10"	
Fitting Size	3/8" Male O-Ring	
Port	Side	
Glass	Top	
Fuse/Pressure	Fuse Plug	

R-134a Compatible		JA19000
Diam.	3"	
Height	6"	
Fitting Size	3/8" Male O-Ring	
Glass	Top	

R-12/R-134a Compatible		JA19600
Diam.	3"	
Height	10-3/32"	
Fitting Size	11/16" Female O-Ring	
Fuse/Pressure	High Pressure Relief Valve	
Desiccant Level	10	

R-12/R-134a Compatible		JA19800
Diam.	3"	
Height	10-3/32"	
Fitting Size	3/8" Male O-Ring	
Fuse Pressure	Pressure Relief Valve/Gage Port/ Spring/Moisture Indicator	
Desiccant Level	12	

R-12/R-134a Compatible		JA20000
Diam.	2-1/2"	
Height	8"	
Fitting Size	3/8" Male O-Ring	
Port	Top	
Fuse/Pressure	Fuse Plug	

		JA20250
Diam.	3-1/4"	
Height	10-29/32"	
Fitting Size	3/8" Male O-Ring	
Port	Female Switch Port	
Glass	Side	

R-134a Compatible		JA20500
Diam.	3"	
Height	9-3/16"	
Fitting Size	3/8" Male O-Ring	
Fuse/Pressure	High Pressure Relief Valve/Moisture Indicator	


		JA20550
Diam.	3"	
Height	10"	
Fitting Size	3/8" Male O-Ring x 3/8" Female O-Ring	
Glass	Top	
Fuse/Pressure	High Pressure Relief Valve/Moisture Indicator	
		<i>High Capacity</i>

R-134a Compatible		JA20800
Diam.	3"	
Height	9-3/16"	
Fitting Size	3/8" Male O-Ring	
Fuse/Pressure	High Pressure Relief Valve/Moisture Indicator	
Desiccant Level	16	
		<i>High Capacity</i>

O-RING DRIERS (CONTINUED)

R-134a Compatible		JA22150
Diam.	3"	 <p><i>PAD Mount</i></p>
Height	10-1/4"	
Fitting Size	3/8" Pad Mount	
Port	Side	
Glass	Top	
Fuse/Pressure	2 M10 Switch Ports, Moisture Indicator	

R-12/R-134a Compatible		JA22250
Diam.	2-3/4"	 <p><i>Spring Loaded</i></p>
Height	12-21/32"	
Fitting Size	3/8" Female O-Ring	
Port	Side	
Fuse/Pressure	Fuse Plug	
Desiccant Level	12	

		JC10850
Diam.	3"	
Height	8-13/64"	
Fitting Size	3/8" Male O-Ring	

		JC21200
Diam.	3"	
Height	6"	
Fitting Size	3/8" Male O-Ring	
Port	Side	
Glass	Top	
Fuse/Pressure	Fuse Plug	

O-RING RECEIVER DRIERS SPECIFICATIONS

Table 13-530: O-Ring Receiver Driers Specifications

Part No.	Fitting Size	Fuse/ Pressure	Port	Glass	Diameter	Height	Desiccant Level	High Capacity	R12	R134a	Both
GD11350	3/8" Female O Ring/ 3/8" Male O Ring	Moisture Indicator		Side	3"	10-3/32"	12				
JA10450	3/8" Male O Ring	Fuse Plug	Side	Top	2-1/2"	8-1/4"	6			x	
JA10700	3/8" Male O Ring	Fuse Plug	Top	Side	2-3/4"	10"					x
JA10850	3/8" Male O Ring	Fuse Plug	Side	Top	2-3/4"	10"	12				x
JA10900	3/8" Male O Ring (Schrader Port)	Fuse Plug	Top	Side	2-3/4"	10"		x			x
JA11050	3/8" Male O Ring	Fuse Plug	Top	Side	2-3/4"	10"					x
JA11100	3/8" Male O Ring	Fuse Plug	Side	Top	2-3/4"	10"					x
JA11300	3/8" Male O Ring	Fuse Plug	side	Top	2-3/4"	10"					x
JA11350	3/8" Male O Ring	Fuse Plug/Gage Port/ Moisture Indicator			3"	10"	12				x
JA11650	3/8" Male O Ring	Fuse Plug	Side	Top	3"	6"		x			x
JA11700	3/8" Male O Ring	Fuse Plug	Side	Top	3"	6"		x			x
JA11750	3/8" Male O Ring	Fuse Plug	Side	Top	3"	6"					x
JA11800	3/8" Male O Ring	Fuse Plug	Side	Top	3"	6"					x
JA17550	3/8" Male O Ring/ 3/8" Female O Ring	Fuse Plug/Pressure Relief/ Moisture Indicator			3"	8-1/4"					x
JA12700	3/8" Male O Ring (Schrader Port)	Fuse Plug	Side	Top	3"	9"	4				x
JA12750	3/8" Male O Ring	Moisture Indicator	Top		3"	9-1/4"					x
JA12800	3/8" Male O Ring	Pressure Relief Valve			3"	9-1/4"	12				x
JA13000	3/8" Male O Ring				3"	8-1/4"	12				x
JA13050	3/8" Male O Ring			Side	3"	10"	12				x
JA13250	11/16" Inlet x 3/8" Outlet Female O Ring	Pressure Relief			3"	10"	10				x
JA17400	3/8" Male O Ring	Pressure Relief Valve/ Moisture Indicator			3"	10"	16				x
JA17550	3/8" Male O Ring/ 3/8" Female O Ring Outlet	Pressure Relief Valve/ Moisture Indicator			3"	8-1/4"	12				x
JA17900	3/8" Male O Ring	Fuse Plug	Top	Top	3"	8-1/4"				x	
JA18500	3/8" Male O Ring	Fuse Plug	Side	Top	3"	6"	16	x			x

Part No.	Fitting Size	Fuse/ Pressure	Port	Glass	Diameter	Height	Desiccant Level High Capacity	R12	R134a	Both
JA18700	3/8" Male O Ring	Fuse Plug	Top	Side	3"	7-7/8"	x			x
JA18850	3/8" Male O Ring Inlet x 3/8" Female O Ring Outlet	"Moisture Indicator/Spring Loaded, (2) M10 Ports"	Top	Top	3"	9-3/4"	x			x
JA18900	3/8" Male O Ring	Pressure Relief	Top	Top	3"	9-3/4"				x
JA18950	3/8" Male O Ring	Fuse Plug	Side	Top	2-3/4"	10"	x			x
JA19000	3/8" Male O Ring			Top	3"	6"	x			x
JA19600	11/16 Female O Ring	High Pressure Relief Valve			3"	10-3/32"	10			x
JA17950	3/8" Male O Ring	(1) M10 Switch Port/ Pressure Relief Valve/ Moisture Indicator			3"	10-3/32"	12			x
JA19800	3/8" Male O Ring	Pressure Relief/Gage Port/ Spring/Moisture Indicator			3"	10-3/32"	12			x
JA20000	3/8" Male O Ring	Fuse Plug	Top		2-1/2"	8"	6			x
JA20250	3/8" Male O Ring	Female Switch Port/ Moisture Indicator/High Pressure Relief Valve			3-1/4"	10- 29/32"	12			x
JA20500	3/8" Male O Ring	High Pressure Relief Valve/ Moisture Indicator			3"	9-3/16"				x
JA20550	3/8" Male O Ring x 3/8" Female O Ring	High Pressure Relief Valve/ Moisture Indicator		Top	3"	10"	x			
JA20800	3/8" Male O Ring	High Pressure Relief Valve/ Moisture Indicator			3"	9-3/16"	16			x
JA22150	Pad Mount	(2) M10 Switch Ports/ Moisture Indicator	Side	Top	3"	10-1/4"				x
JA22250	3/8" Female O Ring	Fuse Plug	Side		2-3/4"	12- 21/32"	12			x
JC10850	3/8" Male O Ring				3"	8-13/64"				
JC21200	3/8" Male O Ring	Low Pressure Switch			2-1/2"	8"				

PUSH-ON RECEIVER DRIERS SPECIFICATIONS

Table 13-531: Push-On Receiver Driers Specifications

Part No.	Fitting Size	Diameter	Height	Port
JC21150	3/8" Push On	2-1/2"	8"	Side

QUICK DISCONNECT DRIERS

Table 13-532: Receiver Driers - Quick Disconnect Type

R-134a Compatible		JA17950	R-12		JA20200	R-134a Compatible		JA20350
Diam.	3"		Diam.	3"		Diam.	3"	
Height	10-1/4"		Height	10-3/32"		Height	10-1/8"	
Fitting	Quick Disconnect		Fitting	Quick Disconnect		Fitting	Quick Disconnect	
Fuse/Pressure	2 Gauge Ports, Moisture Indicator		Port	Top		Port	Side	
			Fuse/Pressure	2 M10 Gage Ports/ Moisture Indicator		Fuse/Pressure	Moisture Indicator	
			Desiccant Level	16				

QUICK DISCONNECT RECEIVER DRIERS SPECIFICATIONS

Table 13-533: Quick Disconnect Receiver Driers Specifications

Part No.	Fuse/ Pressure	Port	Glass	Diameter	Height	Desiccant Level	R12	R134a	Both
JA17950	(2) Gage Ports/Moisture Indicator			3"	10-1/4"			x	
JA20200	(2) M10 Gage Ports/ Moisture Indicator	Top		3"	10-3/32"	16	x		
JA20350	Moisture Indicator		Side	3"	10-1/8"			x	
JA22350	Moisture Indicator		Side	3"	10-1/8"	12		x	

RECEIVER DRIER MOUNTING BRACKETS

Table 13-534: Receiver Drier Mounting Brackets

<p style="text-align: right;">HE1110</p>  <p>Receiver Drier Bracket</p>	<p style="text-align: right;">JA1840</p>  <p>Receiver Drier Bracket</p>	<p style="text-align: right;">JD1005</p>  <p>#6 Adapter to #5 Metric Fitting (2 per package)</p>
---	---	--

RECEIVER DRIER MOUNTING BRACKETS

Table 13-535: Receiver Drier Mounting Brackets

Part No.	Description
HE11100	Receiver Drier Bracket
JA18400	Receiver Drier Bracket
JD10050	#6 Adapter to #5 Metric Fitting (2 per package)

SWITCHES

TOGGLE SWITCHES

Table 13-536: Toggle Switches

Fan Switch, 5 Terminal **BA10050**

Bottom View

Type	SPST
Function	Off-On-On-On

Blower Switch, 5 Terminal **BA10300**

Bottom View

Type	DPDT
Function	On -Off-On

A/C Switch, 2 Terminal **BA10350**

Type	Push Button
Function	3 Button

Push Button **BA10500**

Bottom View

Type	Push Button
Function	6 Button

5 Terminal **BA10550**

Bottom View





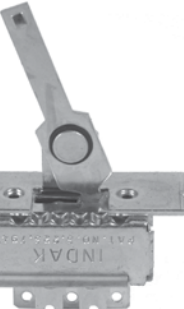



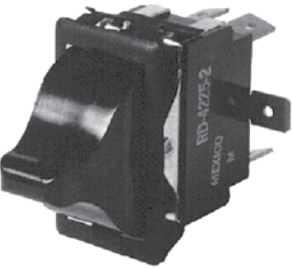
Type	Toggle
Function	n/a

Chrome Toggle, 4 Terminal **BA11800**

Bottom View

Type	Toggle
Function	2 Position

TOGGLE SWITCHES (CONTINUED)

<p>Fan Switch, 5 Terminal</p> <p>BA12050</p> 	<p>Black Toggle, 3 Terminal</p> <p>BA13050</p> 	<p>Chrome Toggle, 9 Terminal</p> <p>BA13200</p> 
<p>Type SPST</p> <p>Function Off-On-On-On</p>	<p>Type SPST</p> <p>Function On-Off</p>	<p>Type DPDT</p> <p>Function On-Off-On</p>
<p>Chrome Toggle, 2 Terminal</p> <p>BA13250</p> 	<p>Blower Switch, 5 Terminal</p> <p>BA14100</p> 	<p>Blower Switch, 5 Terminal</p> <p>BA14150</p> 
<p>Type SPST</p> <p>Function On-Off</p>	<p>Type Toggle</p> <p>Function Off-On-On-On</p>	<p>Type Toggle</p> <p>Function Off-On-On-On</p>
<p>10 Terminal</p> <p>BA14550</p> 	<p>Chrome Toggle, 4 Terminal</p> <p>BE10000</p> 	<p>Safety Toggle, 5 Terminal</p> <p>BE10050</p> 
<p>Type Toggle</p> <p>Function Off-On-On-On</p>	<p>Type DPDT</p> <p>Function On-On-On</p>	<p>Type DPDT</p> <p>Function On-Off-On</p>

TOGGLE SWITCHES (CONTINUED)

<p>Black Paddle, 4 Terminal</p> <p>BE10100</p>  <p>A black paddle toggle switch with a black handle and four terminals. The body is marked with '10A 250VAC', '15A 125VAC', and 'SIL'.</p>	<p>Safety Toggle, 3 Terminal</p> <p>BE10250</p>  <p>A black safety toggle switch with a black handle and three terminals. The body is marked with 'RD-4225-2' and 'MIDWEST'.</p>	<p>Chrome Toggle, 3 Terminal</p> <p>BE10600</p>  <p>A chrome toggle switch with a black handle and three terminals. The body is marked with '005' and 'USA'.</p>
<p>Tonnage DPDT</p> <p>Inlet On-Off-On</p>	<p>Tonnage SPDT</p> <p>Inlet On-Off-On</p>	<p>Tonnage SPDT</p> <p>Inlet On-Off-On</p>

TOGGLE SWITCHES SPECIFICATIONS

Table 13-537: Toggle Switches Specifications

Part No.	Fuse/ Pressure	Port	Glass	Diam.
BA10050	SPST	Fan Switch	Off-On-On-On	5
BA10300	DPDT	Black Toggle	On-Off-On	5
BA10350	Push Button	n/a	3-Button	4
BA10500	Push Button	n/a	6-Button	n/a
BA10550	Toggle	n/a	n/a	5
BA11800	SPST	Chrome Toggle	2 Position	4
BA12050	SPST	See Note #1	Off-On-On-On	5
BA13050	SPST	Black Toggle	On-Off	3
BA13200	DPDT	Chrome Toggle	On-Off-On	9
BA13250	SPST	Chrome Toggle	On-Off	2
BA14100	Toggle	Blower	Off-On-On-On	5
BA14150	Toggle	Blower	Off-On-On-On	5
BA14550	Toggle	See Note #1	Off-On-On-On	10
BE10000	DPDT	Chrome Toggle	On-On-On	4
BE10050	DPDT	Safety Toggle	On-Off-On	5
BE10100	DPDT	1 Blk Paddle Switch	On-Off-On	4
BE10250	SPDT	Safety Toggle	On-Off-On	3
BE10600	SPDT	Black Toggle	On-Off-On	3






* Note 1: Uses FD1005 knob.

Note 2: Uses FD1035 knob.

Mounting Nuts are 15/32 UNF-2B.

ROCKER SWITCHES

Table 13-538: Rocker Switches

<p>6 Terminals BA10400</p>  <p>A black rocker switch with six terminals. The label on the front reads: CARLING SWITCH, 15A, 250VAC, 15A, 125VAC, 3/4 HP, 250VAC, MEXICO 0.</p>	<p>2 Terminals BA10600</p>  <p>A black rocker switch with two terminals. The label on the front reads: CMEXICO CARLING 0211.</p>	<p>Double Rocker Fan Switch BA11000</p>  <p>A black double rocker fan switch with two terminals. The label on the front reads: CMEXICO CARLING 0211.</p>
<p>Type DPDT Function On-Off-On</p>	<p>Type SPDT Function On-Off</p>	<p>Type SPDT Function On-Off-On</p>
<p>5 Terminals BA12600</p>  <p>A black rocker switch with five terminals. The label on the front reads: RD-4151-2, CARLING, MEXICO 0, 9838.</p>	<p>3 Terminal BA12950</p>  <p>A black rocker switch with three terminals. The label on the front reads: 10A, 250VAC, 15A, 125VAC, 3/4 HP, 250VAC, MEXICO 0, 9808.</p>	
<p>Type DPDT Function On-Off-On</p>	<p>Type SPDT Function On-Off-On</p>	

ROCKER SWITCHES SPECIFICATIONS

Table 13-539: Rocker Switches Specifications

Part No.	Type	Remarks	Function	Terminals
BA10400	DPDT	Rocker Switch	On-Off-On	6
BA10600	SPDT	Rocker Switch	On-Off	2
BA11000	SPDT	Double Rocker Fan Switch	On-Off-On	5
BA12600	DPDT	Rocker Switch	On-Off-On	5
BA12950	SPDT	Rocker Switch	On-Off-On	3
HG10600	Tandem Blower Switch w/ Resistor		Use in well ventilated area	

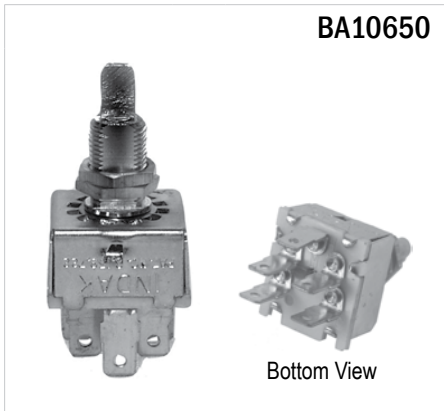
* Note 1: Uses FD1005 knob.

Note 2: Uses FD1035 knob.

Mounting Nuts are 15/32 UNF-2B.

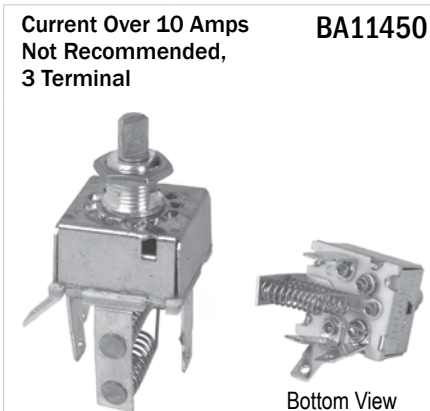
ROTARY SWITCHES

Table 13-540: Rotary Switches



BA10650

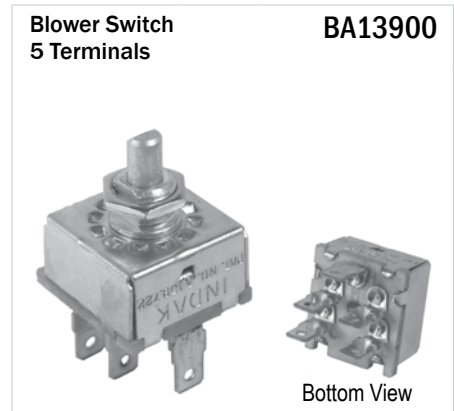
Type Rotary
Function 3 Speed



BA11450

Current Over 10 Amps
 Not Recommended,
 3 Terminal

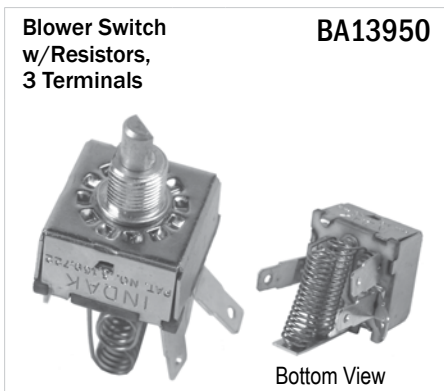
Type 12V w/Resistor
Function 3 Speed



BA13900

Blower Switch
 5 Terminals

Type 12V
Function 3 Speed



BA13950

Blower Switch
 w/Resistors,
 3 Terminals

Type 24V Used w/Single
 Speed P.M. 2-Wire Motors
Function 3 Speed



BA14250

Blower Switch
 w/Wiring Harness

Type Rotary
Function 3 Speed



HG10600

6 Terminal
 Use in Well
 Ventilated Area

Type Tandem Blower
 Switch w/Resistor
Function Off-Low-Med-High

ROTARY SWITCHES SPECIFICATIONS

Table 13-541: Rotary Switches Specifications

Part No.	Type	Remarks	Function	Terminals
BA10650	Rotary	Includes 2 nuts, See Note #2	3 Speed	
BA11450	w/ Resistor	Current Over 10 Amps Not Recommended	3 Speed	
BA13900	n/a	Blower Switch	3 Speed	5
BA13950	24V, Used w/ Single Speed P.M. 2 wire motors	Blower Switch w/ Resistors	3 Speed	3
BA14250	Rotary	Blower Switch	3 Speed	w/ wiring harness
HG10600	Tandem Blower Switch w/ Resistor	Use in well ventilated area		




* Note 1: Uses FD1005 knob.

Note 2: Uses FD1035 knob.

Mounting Nuts are 15/32 UNF-2B.

PUSH BUTTON SWITCHES

Table 13-542: Push Button Switches

<p>Illuminated Switch BA13150</p>  <p>Function On-Off</p>	<p>A/C Compressor Switch BA13500</p>  <p>Function On-Off</p>	<p>Lighted Push Button Switch w/ Blue Lens, 2 Terminals BE1050</p> 
--	--	---

CIRCUIT BREAKER SWITCHES

Table 13-543: Circuit Breaker Switches



CC10000

Description 4 Amp



CC10150

Description 15 Amp



Push to Reset

CC10200

Description 30 Amp



w/o Bracket

CC29200

Description 20-Amp



w/o Bracket

CC29250

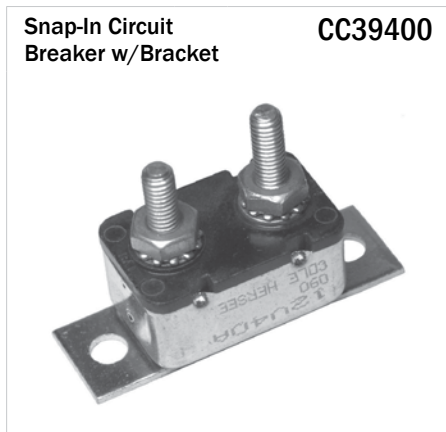
Description 25-Amp



Snap-In Circuit Breaker w/Bracket

CC39300

Description 30-Amp



Snap-In Circuit Breaker w/Bracket

CC39400

Description 40-Amp


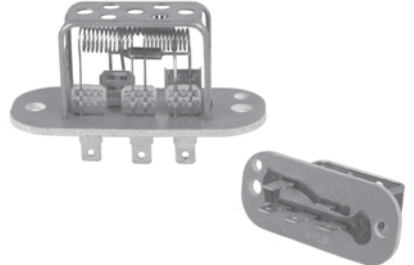
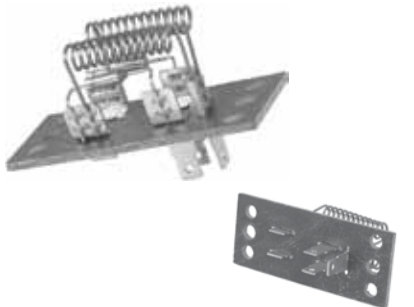

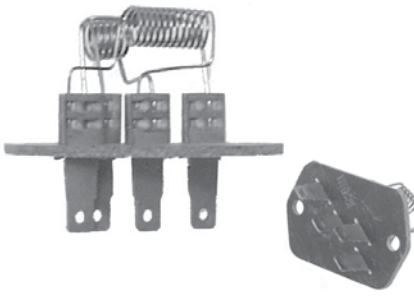
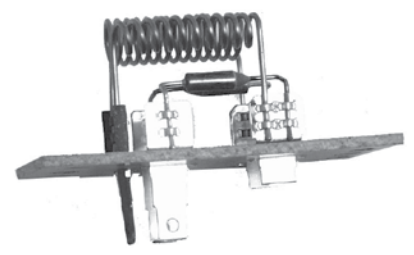
CIRCUIT BREAKER SWITCHES SPECIFICATIONS

Table 13-544: Circuit Breakers Switches Specifications

Part No.	Type	Amps
CC10000	Circuit Breaker with Bracket	4
CC10150	Push to Reset	15
CC10200	Push to Reset	30
CC29200	Circuit Breaker without Bracket	30
CC29250	Circuit Breaker without Bracket	20
CC39300	Snap-In Circuit Breaker with Bracket	30
CC39400	Snap-In Circuit Breaker with Bracket	40

RESISTOR SWITCHES

Table 13-545: Resistor Switches

<p style="text-align: right;">CA10000</p>  <p style="text-align: center;">Bottom View</p>	<p style="text-align: right;">CA10200</p>  <p style="text-align: center;">Bottom View</p>	<p style="text-align: right;">CA10350</p>  <p style="text-align: center;">Bottom View</p>
<p>Speed 3</p> <p>Terminals 3</p>	<p>Speed 4</p> <p>Terminals 4</p>	<p>Speed 4</p> <p>Terminals 4</p>
<p style="text-align: right;">CA10750</p> 	<p style="text-align: right;">CA10950</p>  <p style="text-align: center;">Bottom View</p>	<p style="text-align: right;">CA11050</p> 
<p>Speed n/a</p> <p>Terminals n/a</p>	<p>Speed 4</p> <p>Terminals 4</p>	<p>Speed 3</p> <p>Terminals 3</p>

RESISTOR SWITCHES SPECIFICATIONS

Table 13-546: Resistor Switches Specifications

Part No.	Type	Amps
CA10000	3	3
CA10200	4	4
CA10350	4	4
CA10750	n/a	n/a
CA10950	4	4
CA11050	3	3

THERMISTOR ASSEMBLY

Table 13-547: Thermistor Assembly



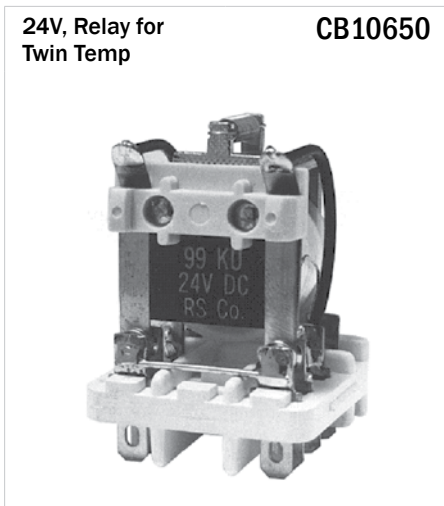
TEMPERATURE PROBE

Table 13-548: Temp Probe



RELAYS

Table 13-549: Relays

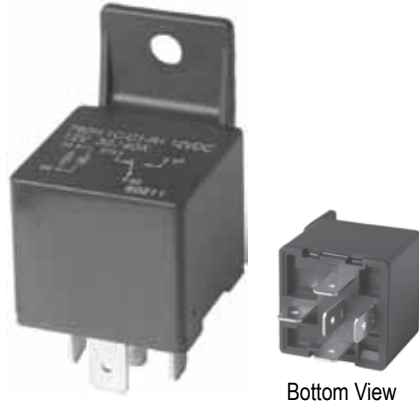


HVAC

RELAYS (CONTINUED)

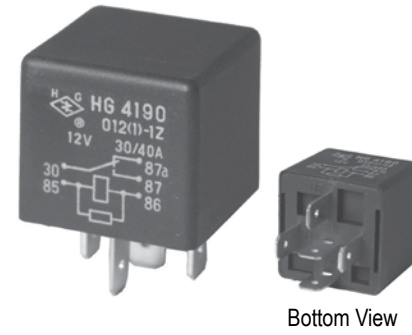
12V Relay, 30Amp

CB11150



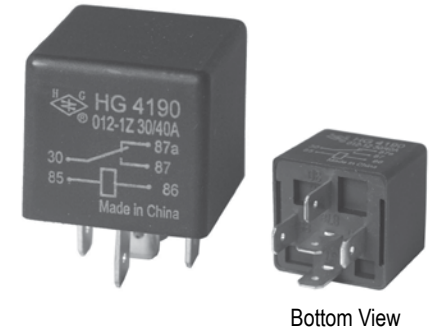
5 Terminal,
12V Relay

CB13150



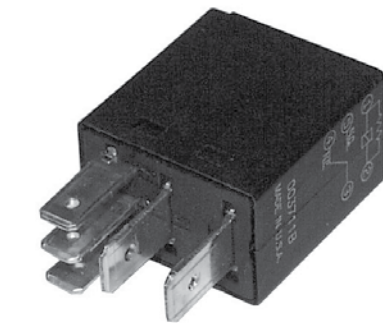
5 Terminal,
12V Relay

CB13200



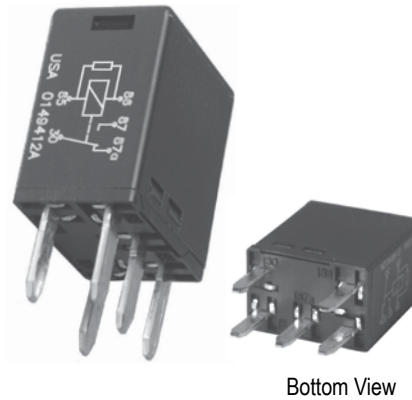
5 Terminal,
12V Relay

CB13300



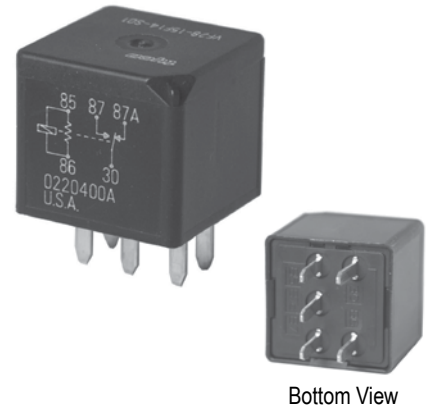
5 Terminal,
12V Relay

CB13350



5 Terminal,
12V Relay

CB13400



RELAYS SPECIFICATIONS

Table 13-550: Relays Specifications

Part No.	Volts	Amps	Pole/ Throw	NO/NC	Terminals	Notes
CB10050	12	30	SPST	NO	5	Bracket/Dual Contacts & Diode
CB10100	12	n/a	n/a	n/a	n/a	n/a
CB10250	12	n/a	n/a	n/a	n/a	Relays for Twin Temp
CB10650	24	n/a	n/a	n/a	n/a	Relays for Twin Temp
CB10700	12	n/a	n/a	n/a	n/a	n/a
CB10750	24	n/a	n/a	n/a	n/a	n/a
CB10800	12	40	SPDT	n/a	5	No Bracket
CB10900	12	30	SPDT	n/a	5	INTL 447186C1
CB11000	n/a	n/a	n/a	n/a	3	n/a
CB11150	12	30	SPDT	n/a	5	Bracket
CB13150	12	30/40	SPDT	n/a	5	No Bracket/ with Resistor
CB13200	12	30/40	SPDT	n/a	5	No Bracket
CB13250	12	n/a	SPDT	n/a	5	GM 14089936
CB13300	12	n/a	SPDT	n/a	5	n/a
CB13350	12	20	SPDT	n/a	5	Mini Contacts/ W Resistor
CB13400	12	30	SPDT	n/a	5	n/a

CONTROL KNOBS

Table 13-551: Control Knobs

<p>FD10000</p>  <p>Switch Knob Press Fit</p>	<p>FD10100</p>  <p>Knob</p>	<p>FD10150</p>  <p>Setscrew</p>	<p>FD10200</p>  <p>Switch Knob Press Fit</p>
<p>FD10250</p>  <p>Setscrew, 17/32" Mtg. Depth</p>	<p>FD10300</p>  <p>Knob</p>	<p>FD10350</p>  <p>1/4" Shaft & Setscrew</p>	<p>FD10400</p> 
<p>FD10450</p>  <p>1/4" Shaft & Setscrew</p>	<p>FD10500</p>  <p>12V Relay, 30A</p>	<p>FD10750</p>  <p>1/4" Shaft & Setscrew</p>	<p>FD11000</p>  <p>12V Relay, 30A</p>
<p>FD11150</p>  <p>10/32" Internal Threads</p>	<p>FD11200</p>  <p>Heater and A/C Knob</p>	<p>FD11300</p>  <p>No. 10 - 32 Threads</p>	<p>FD11350</p>  <p>12V Relay, 30A</p>
<p>FD12250</p>  <p>12V Relay, 30A</p>	<p>FD12350</p>  <p>12V Relay, 30A</p>	<p>FD12400</p>  <p>12V Relay, 30A</p>	

CHANGING THE THERMOSTAT

The thermostat, sometimes called a freeze-switch, is responsible for preventing evaporator freezing. Attached to the body of the thermostat is a capillary tube filled with refrigerant gas.

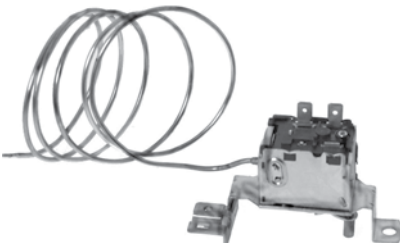
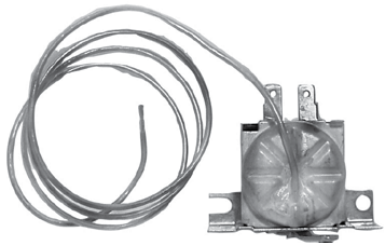
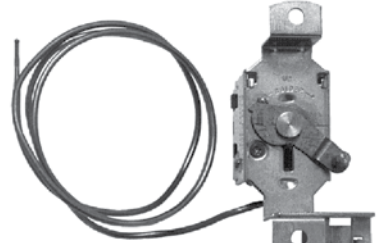
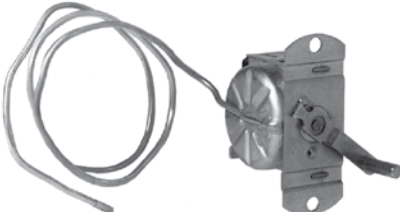
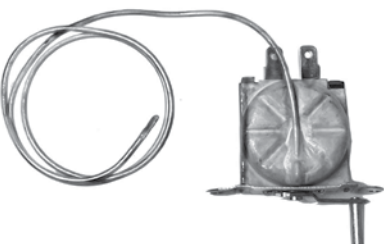
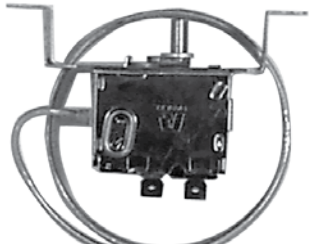
This tube, which looks like a thick wire, is inserted into the evaporator coil in the A/C unit and senses when the temperature drops below freezing. The thermostat then shuts off the compressor, preventing moisture in the air from freezing on the fins of the evaporator and blocking the airflow. An A/C unit that operates normally on startup, but then blows slightly cool air and will not blow the normal volume of air on high after operating a short time probably has ice buildup on the evaporator and needs a new thermostat.

1. Gain access to the thermostat body and the capillary tube. Note where the capillary tube is inserted into the fins of the evaporator coil and to what depth as it is removed. Mark with a felt marker if possible.
2. Carefully uncoil the capillary tube on the new thermostat. Kinking or excessively flexing the capillary tube will cause the refrigerant gas to leak out, ruining the new thermostat.
3. Carefully insert the capillary tube in the same location and to the same depth as the original. Make sure that the capillary tubes held firmly in place by the fins on the evaporator.
4. Test the new thermostat by running the truck with the doors open and the A/C system on maximum. The ambient temperature must be at least 75°F for proper functioning. The compressor cycling on and off indicates that the thermostat is properly installed.

Always use parts from the dealer. A poor quality thermostat will not stand up to the severe use found on Class 6-7-8 trucks and will cause system failure. By taking extra care with the A/C system, you can be sure of proper functioning and driver comfort.

CABLE CONTROLLED THERMOSTATS

Table 13-552: Cable Controlled Thermostat

		
BD10550	BD13350	BD14200
Cap Length 43"	Cap Length 31-1/2"	Cap Length 18"
Type Variable	Type Variable	Type Variable
Temperature Range 30° - 62° F	Temperature Range 31° - 66° F	Temperature Range 28° - 40° F
Clutch Cycle Range 10°	Clutch Cycle Range 5°	Clutch Cycle Range n/a
		
BD14250	BD14700	BD14850
Cap Length 18"	Cap Length 22"	Cap Length 24"
Type Variable	Type Variable	Type Variable
Temperature Range 28° - 66° F	Temperature Range 26° - 34° F	Temperature Range 28-70° F
Clutch Cycle Range 8°		

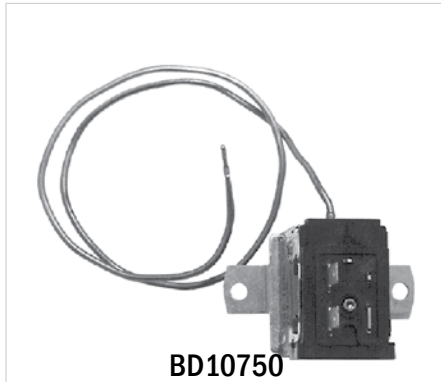
CABLE CONTROLLED THERMOSTAT SPECIFICATIONS

Table 13-553: Cable Controlled Thermostat Specifications

Part No.	Capillary Length	Type	Temperature Range	Clutch Cycle Range
BD10550	43"	Variable	30° - 62° F	10°
BD13350	31-1/2"	Variable	31° - 66° F	n/a
BD14200	18"	Variable	28° - 40° F	n/a
BD14250	18"	Variable	26° - 66° F	8°
BD14700	22"	Variable	26° - 34° F	n/a
BD14850	24"	Variable	28° - 70° F	n/a

PRESET THERMOSTATS

Table 13-554: Preset Thermostat



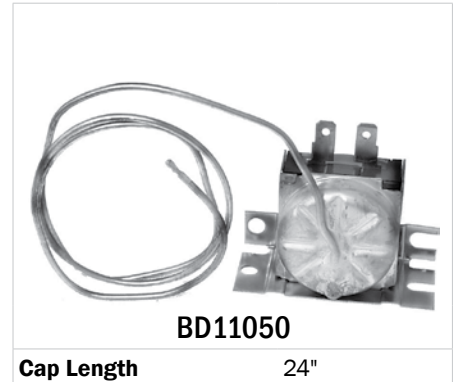
BD10750

Cap Length	24"
Type	Fixed
Temperature Range	34° - 70° F



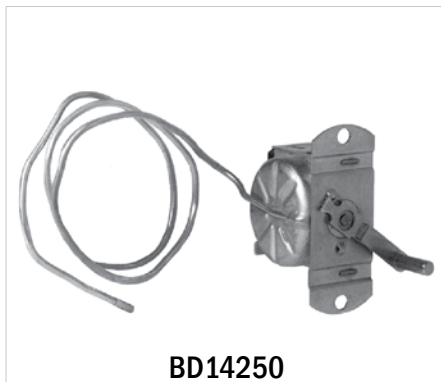
BD10800

Cap Length	16"
Type	Fixed
Temperature Range	28° - 35° F



BD11050

Cap Length	24"
Type	Fixed
Temperature Range	31° - 39° F
Clutch Cycle Range	8°



BD14250

Cap Length	21"
Type	Fixed
Temperature Range	31° - 40° F



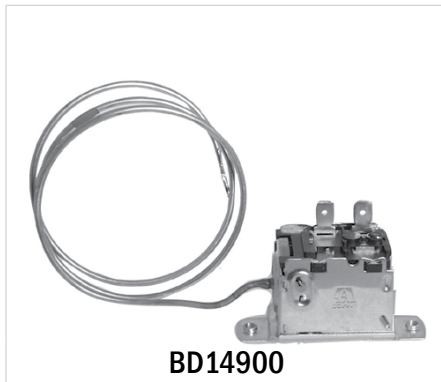
BD14700

Cap Length	12-1/2"
Type	Fixed
Temperature Range	31° - 39 1/2° F



BD14300

Cap Length	31-1/2"
Type	Fixed
Temperature Range	31° - 40° F



BD14900

Cap Length	24"
Type	Fixed
Temperature Range	30° - 70° F

PRESET THERMOSTAT SPECIFICATIONS

Table 13-555: Preset Thermostat Specifications

Part No.	Capillary Length	Type	Temperature Range	Clutch Cycle Range
BD10750	24"	Fixed	34° - 70° F	n/a
BD10800	16"	Fixed	28° - 35° F	n/a
BD11050	24"	Fixed	31° - 39° F	8°
BD13400	21"	Fixed	31° - 40° F	n/a
BD13550	12-1/2"	Fixed	31° - 39 1/2° F	n/a
BD14300	31-1/2"	Fixed	31° - 40° F	n/a
BD14900	24"	Fixed	30° - 70° F	n/a

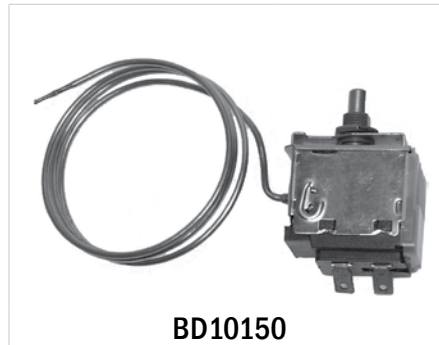
ROTARY THERMOSTATS

Table 13-556: Rotary Thermostat



BD10050

Cap Length	30"
Type	Variable
Temperature Range	30° - 62° F
Clutch Cycle Range	8°



BD10150

Cap Length	36"
Type	Variable
Temperature Range	28° - 40° F
Clutch Cycle Range	n/a



BD10350

Cap Length	48"
Type	Variable
Temperature Range	34° - 52° F
Clutch Cycle Range	5°



BD10400

Cap Length	n/a
Type	Air
Temperature Range	60° - 92° F
Clutch Cycle Range	5°



BD14050

Cap Length	18"
Type	Variable
Temperature Range	28° - 62° F
Clutch Cycle Range	6°

ROTARY THERMOSTAT SPECIFICATIONS

Table 13-557: Rotary Thermostat Specifications

Part No.	Capillary Length	Type	Temperature Range	Clutch Cycle Range
BD10050	30"	Variable	30° - 62° F	8°
BD10150	36"	Variable	28° - 40° F	n/a
BD10350	48"	Variable	34° - 52° F	5°
BD10400	n/a	Air	60° - 92° F	5°
BD14050	18"	Variable	28° - 62° F	6°

HEAT SENSING SWITCH

Table 13-558: Heat Sensing Switch

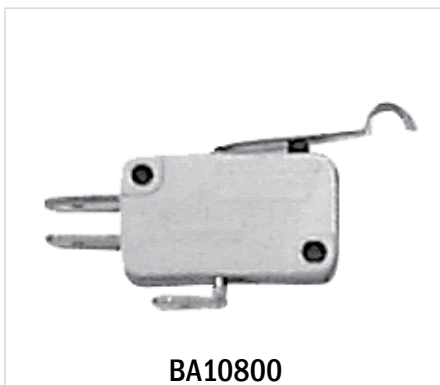


BA111400

High Temperature Safety Switch opens at 200° F. Note: Switch clamps to 3/8" tube.

CLUTCH SWITCH

Table 13-559: Clutch Switch




BA10800

Function	On-Off
Type	SPDT
Terminals	3

PRESSURE SWITCHES

Table 13-560: Pressure Switches

BA12500



High Pressure Switch

Position	Normally Open
Actuation	100 psi
Deactuation	215 psi

BA12900



Fan Override Switch

Position	Normally Open
Actuation	190 psi
Deactuation	250 psi

BA14950



Fan Switch

BA15200



Fan Cycling Switch

Position	Closed
Fitting	M10


BA15500



Fan Switch - Mounted on Compressor

Terminal	2
-----------------	---

BA16000



High Pressure Switch

Position	Normally Open
Actuation	260 psi
Deactuation	210 psi
Terminal	Bare Leads

BA16050



Air Pressure Switch

Actuation	65 psi
Deactuation	75 psi

BA16100



Apads Pressure Switch

BA1615



Apads Pressure Switch

PRESSURE SWITCHES

Table 13-561: Pressure Switches


BB10000



Low Pressure Cutoff Switch

Position	Normally Open
Deactuation	27 psi
Fitting	3/8" - 24 UNF-2A Male Threads


BB10050



Low Pressure Switch

Position	Normally Open
Actuation	15 psi
Deactuation	35 psi


BB10250



High Pressure Switch

Position	Normally Open
Actuation	200 psi
Deactuation	300 psi
Terminal	Packard

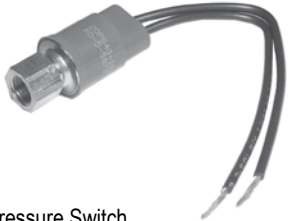
BB10500



High Pressure Switch

Position	Normally Open
Actuation	210 psi
Deactuation	300 psi
Fitting	3/8" - 24 UNF-2A Male O-Ring


BB17500



High Pressure Switch

Position	Normally Open
Actuation	300 psi
Deactuation	210 psi
Terminal	Packard


BB10800



High Pressure Switch

Position	Normally Open
Actuation	340 psi
Deactuation	210 psi


BB10850



Low Pressure Switch

Position	Normally Open
Actuation	32 psi
Deactuation	42 psi


BB11050



Low Pressure Switch

Position	Normally Open
Deactuation	34 psi
Deactuation	On Pressure Drop 10 psi
Terminal	Bare Leads

BB11100




High Pressure Switch
Reset Switch at 190 PSI - Lead Length 3 1/2

Position	Normally Open
Actuation	350 psi
Deactuation	On Pressure Drop 10 psi
Fitting	1/4" (7/16"-20 UNF 2B

PRESSURE SWITCHES

Table 13-562: Pressure Switches


BB11200



Low Pressure Switch

Position	Normally Closed
Actuation	30 psi
Deactuation	7 psi Max.
Terminal	Packard


BB11250



High Pressure Switch

Position	Normally Open
Deactuation	100 psi

BB11800



Low Pressure Switch

Position	Normally Open
Actuation	15 psi
Deactuation	35 psi

BB13750



A/C Low Pressure Cycling Switch

Position	Closed
Actuation	44 psi
Deactuation	21 psi

BB13800



A/C Cycling Low Switch

BB13900



High Pressure Switch

Position	Normally Open
Actuation	250 psi
Deactuation	375 psi

BB14000



High Pressure Switch

Position	Normally Open
Actuation	150 psi
Deactuation	215 psi

BB14050



High Pressure Switch

Position	Normally Closed
Actuation	300 psi
Deactuation	210 psi

BB14100




High Pressure Switch

Position	Normally Closed
Actuation	250 psi
Deactuation	100 psi

PRESSURE SWITCHES

Table 13-563: Pressure Switches


BB14150



High Pressure Switch - Lead Length 5 1/2"

Position	Normally Open
Actuation	300±10 psi
Deactuation	210±10 psi
Fitting	1/4" Female SAE Flare
Terminal	Packard


BB14250



High Pressure Switch

Position	Normally Open
Deactuation	100 psi

BB14300



High Pressure Switch

Position	Normally Open
Actuation	310 psi
Deactuation	210 psi


BB14500



Low Pressure Switch

Position	Normally Open
Actuation	25 psi
Deactuation	45 psi


BA16350



Low Pressure Switch

Position	Normally Closed
Actuation	34 psi
Deactuation	10 psi
Fitting	M12 x 1.5 Female
Terminal	Metri-pak

BA16400



Low Pressure Switch


Position	Normally Closed
Actuation	350 psi
Deactuation	300 psi
Fitting	M10 x 1.25 Female
Terminal	Metri-pak

BA16450



Pressure Transducer


BA16550



High Pressure Switch

Position	Normally Closed
Actuation	300 psi
Deactuation	260 psi
Fitting	M10 x 1.25 Female
Terminal	Metri-pak

BA16600



Low Pressure Switch

Position	Normally Closed
Actuation	34 psi
Deactuation	10 psi
Fitting	M12 x 1.5 Female
Terminal	Metri-pak

PRESSURE SWITCHES SPECIFICATIONS

Table 13-564: Pressure Switches Specifications

Part No.	Type	Position	Open/Closed
BA12500	High Pressure Switch	Normally Open	Opens 100 psi, Closes 215 psi
BA12900	Fan Override Switch, 1/4" Female Thread size	Normally Open	Opens 190 psi, Closes 250 psi
BA14950	Fan Switch	n/a	n/a
BA15200	Fan Cycling Switch, M10 Fitting	Closed	n/a
BA15500	Fan Switch, Mounted on Compressor, 2 Terminals	n/a	n/a
BA16000	High Pressure Switch	Normally Open	Opens 260 psi, Closes 210 psi
BA16050	Air Pressure Switch	n/a	Opens 65 psi, Closes 75 psi
BA16100	Apads Pressure Switch	n/a	n/a
BA16150	Apads Pressure Switch	n/a	n/a
BB10000	3/8"-24 UNF-2A Male Threads	Normally Open	Closes 27 psi
BB10050	Low Pressure Switch	Normally Open	Opens 15 psi, Closes 35 psi
BB10250	High Pressure Switch	Normally Closed	Opens 200 psi, Closes 300 psi
BB10500	High Pressure Switch	Normally Open	Opens 210 psi, Closes 300 psi
BB10750	High Pressure Switch, with packard connectors	Normally Closed	Opens 300 psi, Closes 200 psi
BB10800	High Pressure Switch	Normally Closed	Opens 340 psi, Closes 210 psi
BB10850	Low Pressure Switch	Normally Open	Opens 32 psi, Closes 42 psi
BB11050	Low Pressure Switch	Normally Open	Closes 34 psi, Closes on Pressure Drop 10psi
BB11100	High Pressure Switch	Normally Open	Opens 350 psi, Closes 250 psi, Reset at 190 psi
BB11200	Low Pressure Switch, with packard connectors	Normally Closed	Opens 30 psi, Closes 7 psi max.
BB11250	High Pressure Switch	Normally Open	Closes 100 psi
BB11800	Low Pressure Switch	Normally Closed	Opens 30 psi, Closes 7 psi
BB13750	A/C Cycling Switch	n/a	n/a
BB13800	A/C Cycling Switch, Low	n/a	n/a
BB13900	High Pressure Switch	Normally Open	Opens 250 psi, Closes 375 psi
BB14000	High Pressure Switch	Normally Open	Opens 150 psi, Closes 215 psi
BB14050	High Pressure Switch	Normally Closed	Opens 300 psi, Closes 210 psi
BB14100	High Pressure Switch	Normally Closed	Opens 250 psi, Closes 100 psi
BB14150	High Pressure Switch	Normally Open	Opens 300 psi, Closes 210 psi
BB14250	High Pressure Switch	Normally Open	Opens 100 psi, Closes 250 psi
BB14300	High Pressure Switch	Normally Closed	Opens 310 psi, Closes 210 psi
BB14500	High Pressure Switch	Normally Closed	Opens 350 psi, Closes 250 psi






Part No.	Type	Position	Open/Closed
BA16350	Low Pressure Switch	Normally Closed	Opens 34 psi, Closes 10 psi
BA16400	High Pressure Switch	Normally Closed	Opens 350 psi, Closes 310 psi
BA16450	Pressure Transducer	n/a	n/a
BA16550	High Pressure Switch	Normally Closed	Opens 300 psi, Closes 260 psi
BA16600	Low Pressure Switch	Normally Closed	Opens 34 psi, Closes 10 psi

BINARY PRESSURE SWITCHES

This switch assembly performs two distinct functions. The first function prevents the compressor from operating if system charge is lost or ambient temperature is too low. The second stops compressor if head pressure increases to unsafe levels. It automatically resets when pressure drops back to normal.

Install Binary on liquid side of A/C system between condenser and expansion valve, for use with R-12 and R-134a systems.

Table 13-565: Binary Pressure Switches

<p style="text-align: right;">BA16200</p> 	<p style="text-align: center;">R-12</p> <p style="text-align: right;">BB14550</p> 	<p style="text-align: center;">R-134a</p> <p style="text-align: right;">BB14600</p> 
<p style="text-align: center;">Mounting Configuration</p> <p style="text-align: center;">M10 Fitting</p>	<p style="text-align: center;">Mounting Configuration</p> <p style="text-align: center;">1/4" Female Binary Switch</p>	<p style="text-align: center;">Mounting Configuration</p> <p style="text-align: center;">M10 Female Binary Switch</p>
<p style="text-align: center;">R-134a</p> <p style="text-align: right;">BC10100</p> 	<p style="text-align: right;">BC10150</p> 	
<p style="text-align: center;">Mounting Configuration</p> <p style="text-align: center;">M10 Male Binary Switch</p>	<p style="text-align: center;">Mounting Configuration</p> <p style="text-align: center;">7/16"-20 UNF-2B Female thread for installation on male "Schrader" type valve</p>	

BINARY PRESSURE PROTECTION

Table 13-566: Binary Pressure Protection

Description	Opens	Closes
Low Pressure	30 - 15 PSIG (Falling Pressure)	40 PSIG (Rising Pressure)
High Pressure	270 - 330 PSIG (Rising Pressure)	80 - 120 PSIG Below (Opening Pressure)

BINARY PRESSURE SPECIFICATIONS

Table 13-567: Binary Pressure Specifications

Part No.	Mounting Configuration
BA16200	M10 Fitting
BB14550	1/4" Female Binary Switch (R-12)
BB14600	M10 Female Binary Switch (R-134a)
BC10100	M10 Male Binary Switch (R-134a)
BC10150	7/16"-20 UNF-2B Female thread for installation on male "Schrader" type valve

Electrical:

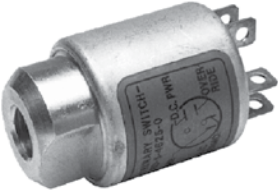



- 7 AMP Resistive*
- 4 AMP Inductive*
- 28 Volt D.C. Maximum*
- 2.50 Series male tab terminals*

TRINARY PRESSURE SWITCHES

This switch assembly performs three distinct functions. The first function prevents the compressor from operating if system charge is lost or ambient temperature is too low. The second stops compressor if head pressure increases to unsafe levels. It automatically resets when pressure drops back to normal. The third function is a shutter/fan override switch that keeps head pressure within normal range by opening shutters or operating engine fan to increase air flow across condenser when head pressure rises above set valve.

Install Trinary on liquid side of A/C system between condenser and expansion valve, for use with R-12 and R-134a systems.

Table 13-568: Trinary Pressure Switches

<p style="text-align: right;">BA12400</p>  <p>* N/C shutter fan switch</p> <p style="text-align: center;">Mounting Configuration</p> <p style="text-align: center;">7/16"-20 UNF-2B Female thread</p>	<p style="text-align: center;">R-12</p> <p style="text-align: right;">BA12650</p>  <p style="text-align: center;">Mounting Configuration</p> <p style="text-align: center;">3/8"-24 UNF-2A Male thread</p>	<p style="text-align: center;">R-134a</p> <p style="text-align: right;">BC10000</p>  <p>* N/C shutter fan switch</p> <p style="text-align: center;">Mounting Configuration</p> <p style="text-align: center;">7/16"-20 UNF-2B Female thread</p>
<p style="text-align: center;">R-134a</p> <p style="text-align: right;">BC10050</p>  <p>* N/C shutter fan switch</p> <p style="text-align: center;">Mounting Configuration</p> <p style="text-align: center;">3/8"-24 UNF-2A Male thread</p>		

TRINARY PRESSURE PROTECTION

Table 13-569: Trinary Pressure Protection

Description	Opens	Closes
Low Pressure	22.5±7.5 PSIG (Falling Pressure)	40 PSIG(Rising Pressure)
High Pressure	325±25 PSIG	230±20 PSIG Below (Opening Pressure)
Shutter/Fan Override	35 - 60 PSIG Below (Closing Pressure)	200 - 230 PSIG (Rising Pressure)

* Note

- A: 3/8"-24 UNF-2A male thread with bulk head type seal using a 2-012 "o" ring.
- B: 7/16"-20 UNF-2B female thread for installation on male "Schrader" type valve.

TRINARY PRESSURE SPECIFICATIONS

Table 13-570: Trinary Pressure Specifications

Part No.	Mounting Configuration See Notes A & B	Shutter Fan Switch	
		Normally Open	Normally Closed
BA12400	B		X
BA12650	A		X
BC10000	B	X	
BC10050	A	X	


* Note

- A: 3/8"-24 UNF-2A male thread with bulk head type seal using a 2-012 "o" ring.
- B: 7/16"-20 UNF-2B female thread for installation on male "Schrader" type valve.

Electrical:

- 7 AMP Resistive
- 4 AMP Inductive
- 28 Volt D.C. Maximum
- 2.50 Series male tab terminals

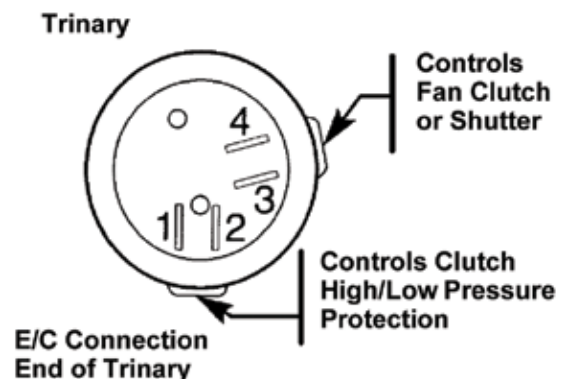
FA13700



Trinary Harness
Recommended on all trinary and binary vehicle applications

Mounting Configuration

Trinary Boot (Provides a molded 4 wire connection to Trinary Switch. Lead wires are 28" long.)
Helps eliminate terminal corrosion and breakage.



FITTINGS

SIGHT GLASS MOISTURE INDICATORS - R134A COMPATIBLE

Table 13-571: Sight Glass Moisture Indicators - R134a Compatible

<p>UC10100</p>  <p>with Low Pressure Switch & High Pressure Relief Valve (3/8" O-Ring)</p>	<p>R-12</p> <p>UC10150</p>  <p>with Low Pressure Switch & High Pressure Relief Valve (3/8" O-Ring)</p>	<p>R-134a</p> <p>UC10250</p>  <p>3/8" Male O-Ring x 3/8" Tube-O Fitting Female Nut</p>
--	--	--

MOISTURE INDICATOR SPECIFICATIONS

Table 13-572: Moisture Indicator Specifications

Part No.	Description
UC10100	with Low Pressure Switch & High Pressure Relief Valve (3/8" O-Ring)
UC10150	3/8" Male O-Ring x 3/8" Tube-O Female Nut (90° Bend) with HPRV & Gauge Port
UC10250	3/8" Male O-Ring x 3/8" Tube-O Fitting Female Nut

Note: The ease to see element in this sight glass changes from blue to pink when it is time to change your Receiver Drier. (After installing a new dryer indicator returns to blue.)

MISCELLANEOUS FITTINGS

Table 13-573: Miscellaneous Fittings



FLARE ADAPTERS

Table 13-574: Flare Adapters



Part No.	Description
AB21450	#10 O-Ring to #10 45° Flare
AE10400	#8 O-Ring to #8 45° Flare
AE10450	#6 O-Ring to #6 45° Flare

O-RING TEE BLOCKS

Table 13-575: O-Ring Tee Blocks



T-FITTING

Table 13-576: T-Fitting



SHRADER ADAPTER FITTING

Table 13-577: Schrader Adapter Fitting



Part No.	Description
AE10000	Side A: 3/8"-24 UNF-2A Male Thread with Bulk Head Type Seal using a 2-012 O-Ring. Female O-Ring installation in Receiver/Dryer pressure ports.
	Side B: 7/16"-20 UNF-2B Male Thread Female O-Ring installation on Female "Schrader" Type Valve. (i.e., Schrader Trinary and Binary Switches.)

FLARE FREON FITTINGS - BEADLOCK "BUBBLE CRIMP" TYPE - R134A COMPATIBLE

Table 13-578: Flare Freon Fittings - Beadlock "Bubble Crimp" Type - R134a Compatible

Straight Male Flare				Straight Female Flare				90° Female Flare			
Part No.	Fitting Size	Hose Size	Hose I.D.	Part No.	Fitting Size	Hose Size	Hose I.D.	Part No.	Fitting Size	Hose Size	Hose I.D.
AB22200	No. 6	No. 6	5/16"	AB23000	No. 6	No. 6	5/16"	RD5-12043-0P	No. 6	No. 6	5/16"
AB22250	No. 8	No. 8	13/32"	AB23050	No. 8	No. 8	13/32"	AB23250	No. 8	No. 8	13/32"
				AB23100	No. 10	No. 10	1/2"	AB23300	No. 10	No. 10	1/2"
				AB23150	No. 10	No. 10	1/2"	AB23350	No. 12	No. 12	5/8"

R-134A BEADLOCK "BUBBLE CRIMP" TYPE FITTINGS

Table 13-579: R-134a Beadlock "Bubble Crimp" Type Fittings

Straight Male O-Ring with R134a Service Port				45° Male O-Ring with R134a Service Port				90° Male O-Ring with R134a Service Port			
Part No.	Fitting Size	Hose Size	Hose I.D.	Part No.	Fitting Size	Hose Size	Hose I.D.	Part No.	Fitting Size	Hose Size	Hose I.D.
AB35300	No. 6	No. 6	5/16"	AB35200	No. 6	No. 6	5/16"	AB35250	No. 6	5/16"	5/16"
AB35000	No. 10	No. 10	1/2"	AB23050	No. 8	No. 8	13/32"	AB35400	No. 8	13/32"	1/2"
AB35150	No. 12	No. 12	5/8"	AB34900	No. 10	No. 10	1/2"	AB34950	No. 10	1/2"	5/8"
				AB35050	No. 12	No. 12	5/8"				

45° Male Springlock			
Part No.	Fitting Size	Hose Size	Hose I.D.
AB30200	No. 8	No. 8	13/32"

BEADLOCK TYPE COMPRESSION & METRIC SPECIAL FITTINGS SPECIFICATIONS

Table 13-580: Beadlock Type Compression & Metric Special Fittings Specifications

Part No.	Fitting Size	Thread Size	Hose Size	Hose I.D.
STRAIGHT MALE FLARE				
AB22200	No. 6	5/8"-18	No. 6	5/16"
AB22250	No. 8	3/4"-16	No. 8	13/32"
STRAIGHT FEMALE FLARE				
AB23000	No. 6	5/8"-18	No. 6	5/16"
AB23050	No. 8	3/4"-16	No. 8	13/32"
AB23100	No. 10	7/8"-14	No. 10	1/2"
AB23150	No. 10	7/8"-14	No. 10	1/2"
90° FEMALE FLARE				
RD5-12043-0P	No. 6	5/8"-18	No. 6	5/16"
AB23250	No. 8	3/4"-16	No. 8	13/32"
AB23300	No. 10	7/8"-14	No. 10	1/2"
AB23350	No. 12	1-1/16"-14	No. 12	5/8"

R-134A BEADLOCK "BUBBLE CRIMP" TYPE FITTINGS SPECIFICATIONS

Table 13-581: R-134a Beadlock "Bubble Crimp" Type Fittings Specifications

Part No.	Fitting Size	Thread Size	Hose Size	Hose I.D.
STRAIGHT MALE O-RING WITH R134A SERVICE PORT				
AB35300	No. 6	5/8"-18	No. 6	5/16"
AB35000	No. 10	7/8"-14	No. 10	1/2"
AB35150	No. 12	1-1/16"-14	No. 12	5/8"
45° MALE O-RING WITH R134A SERVICE PORT				
AB35200	No. 6	5/8"-18	No. 6	5/16"
AB35350	No. 8	3/4"-16	No. 8	13/32"
AB34900	No. 10	7/8"-14	No. 10	1/2"
AB35050	No. 12	1-1/16"-14	No. 12	5/8"

Part No.	Fitting Size	Thread Size	Hose Size	Hose I.D.
90° MALE O-RING WITH R134A SERVICE PORT				
AB35250	No. 6	5/8"-18	No. 6	5/16"
AB35400	No. 8	3/4"-16	No. 8	13/32"
AB34950	No. 10	7/8"-14	No. 10	1/2"
45° MALE SPRINGLOCK				
AB30200	No. 8	n/a	No. 8	13/32"

HOSE CRIMPING PROCEDURE

CRIMPING PROCEDURES FOR TYPICAL MOBILE REFRIGERATION HOSE:

STEP 1 Determine hose size needed.

STEP 2 Determine hose fitting size and type needed.



STEP 3 Make certain that the end of hose to be crimped is cut evenly.

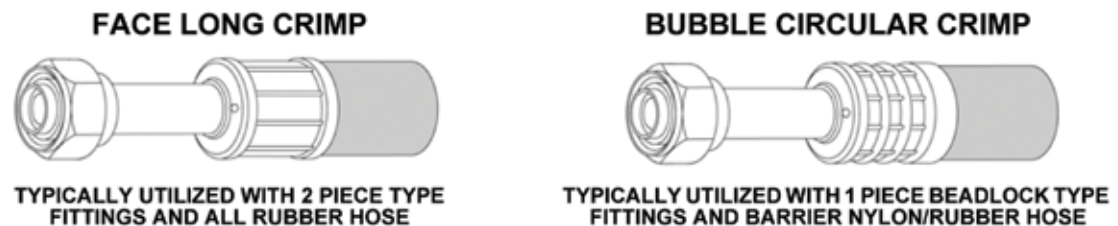


STEP 4 Push hose ALL the way into ferrule until hose is flush with peephole at the end of the ferrule.



NOTE: It may be necessary to lubricate the hose inside diameter and/or hose fitting barbs

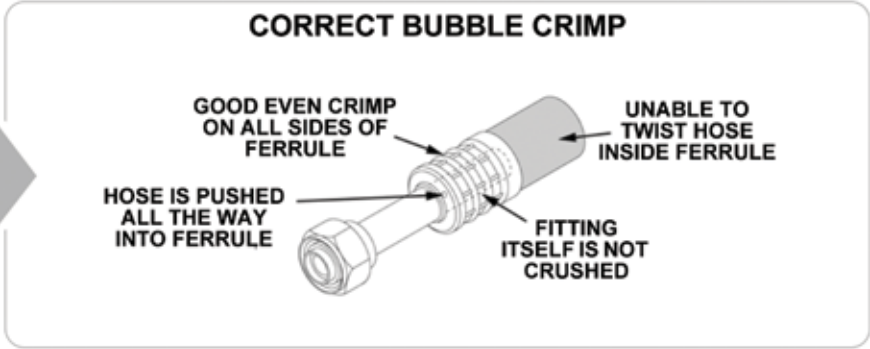
STEP 5 Determine correct crimping die size to match hose and fitting size. There are basically two types of crimp styles (see below).



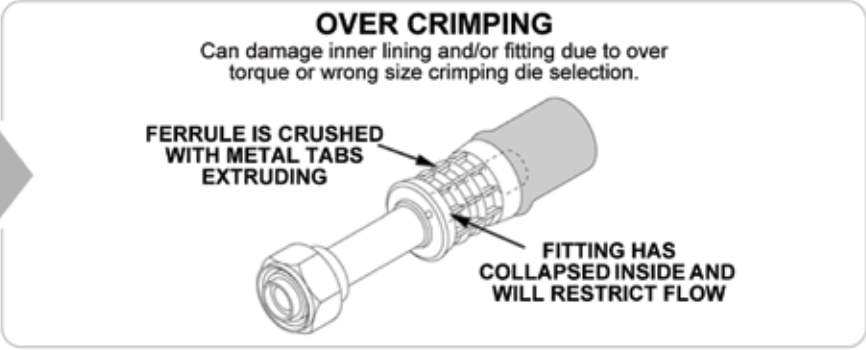
STEP 6 Crimp hose/fitting based on specific crimping machine manufacturer's recommendations. Reference the following illustrations for some common examples of correct and incorrect crimping.

HOSE CRIMPING PROCEDURE

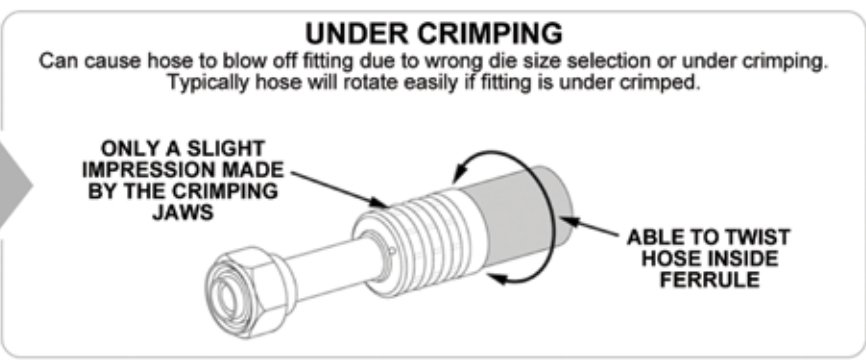
CORRECT BUBBLE CRIMP



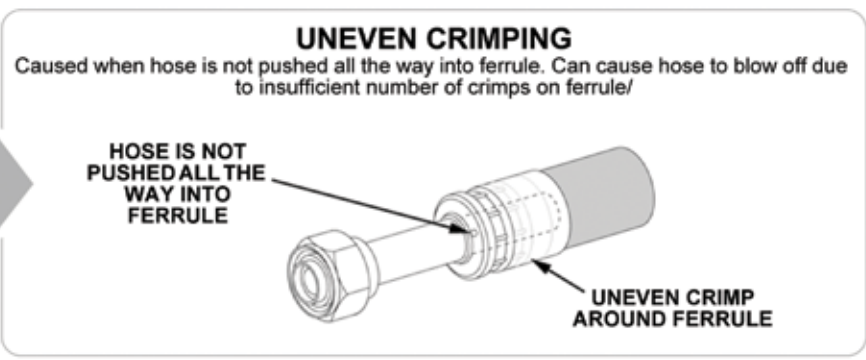
INCORRECT BUBBLE CRIMP



INCORRECT BUBBLE CRIMP

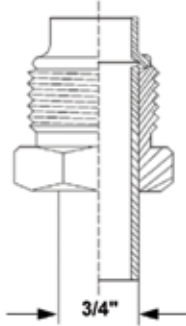


INCORRECT BUBBLE CRIMP

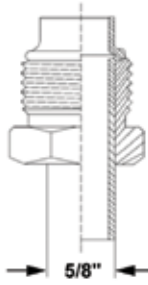


HOSE CRIMPING PROCEDURE

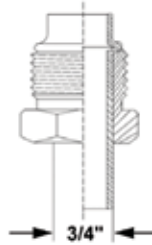
Male O-Ring



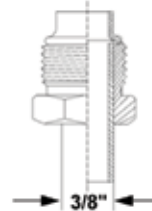
No. 12
1 1/16"-16 Thread



No. 10
7/8"-18 Thread

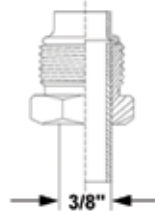


No. 8
3/4"-18 Thread



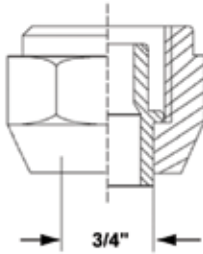
No. 6
5/8"-18 Thread

**SPECIAL GM
DRYER FITTING**



No. 6
11/16"-16 Thread

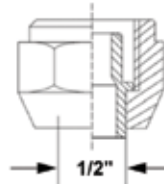
Female O-Ring



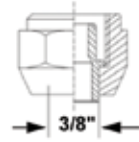
No. 12
1 1/16"-14 Thread



No. 10
7/8"-14 Thread

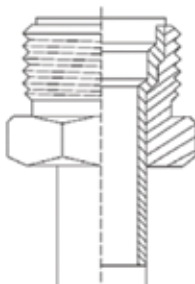


No. 8
3/4"-16 Thread

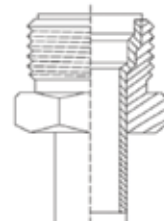


No. 6
5/8"-18 Thread

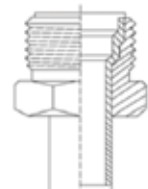
Male Insert O-Ring



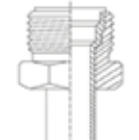
No. 12
1 1/16"-14 Thread



No. 10
7/8"-14 Thread



No. 8
3/4"-16 Thread



No. 6
5/8"-18 Thread

O-Rings



No. 12



No. 10



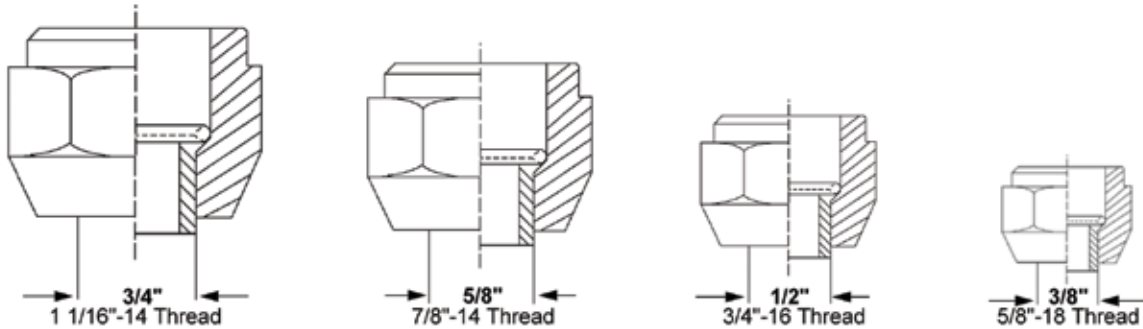
No. 8



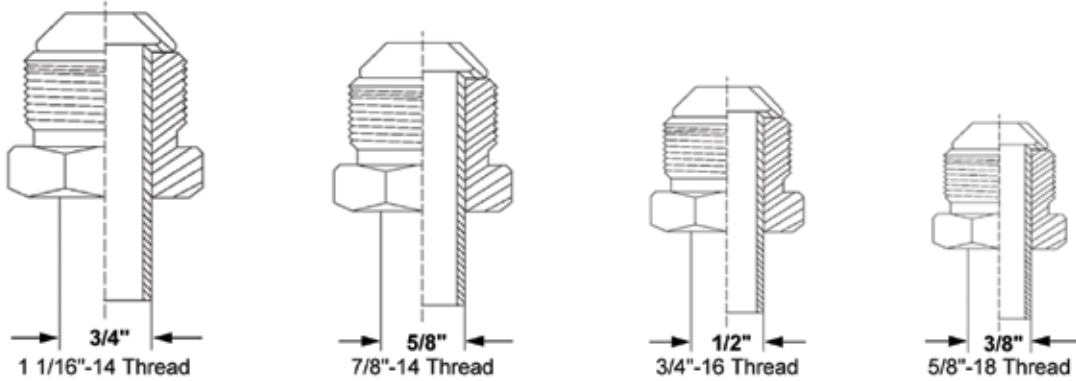
No. 6

BEADLOCK FITTING IDENTIFICATION

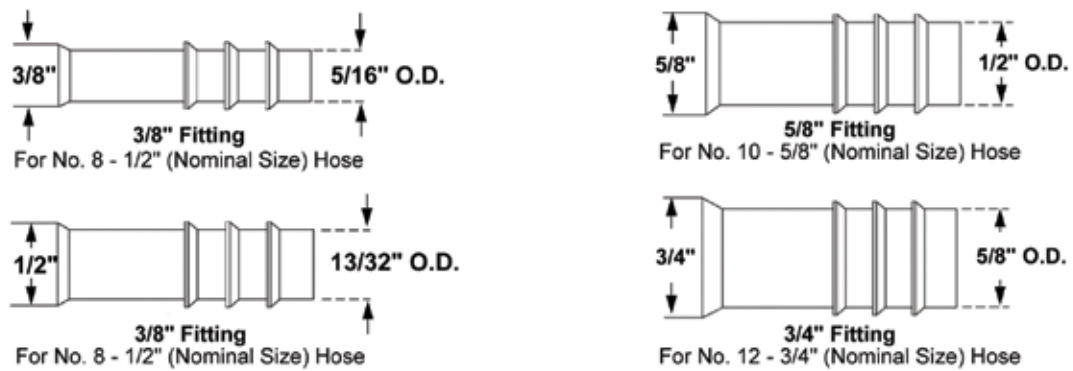
Female Flare



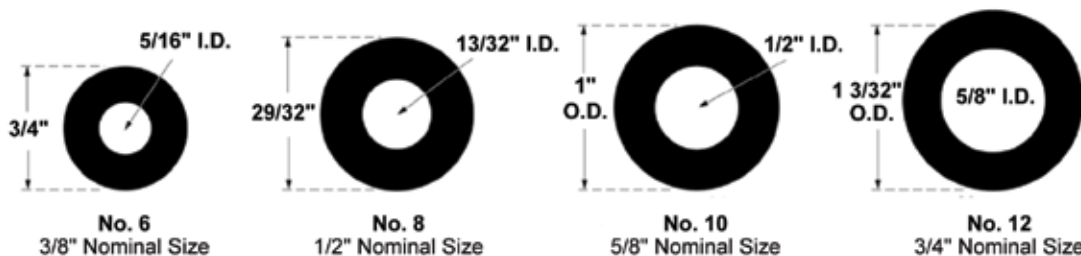
Male Flare



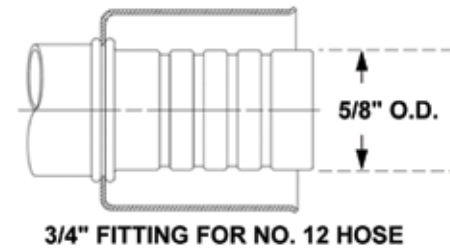
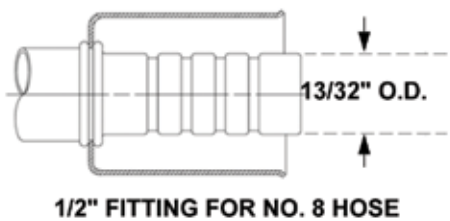
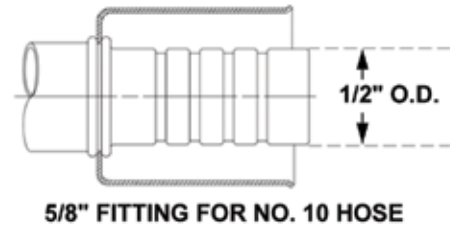
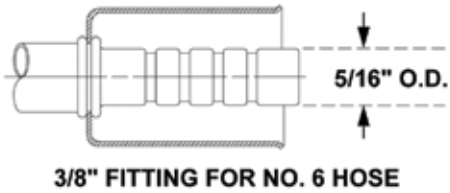
Hose End Sizes



Refrigerant Hose Sizes



BEADLOCK FITTING IDENTIFICATION

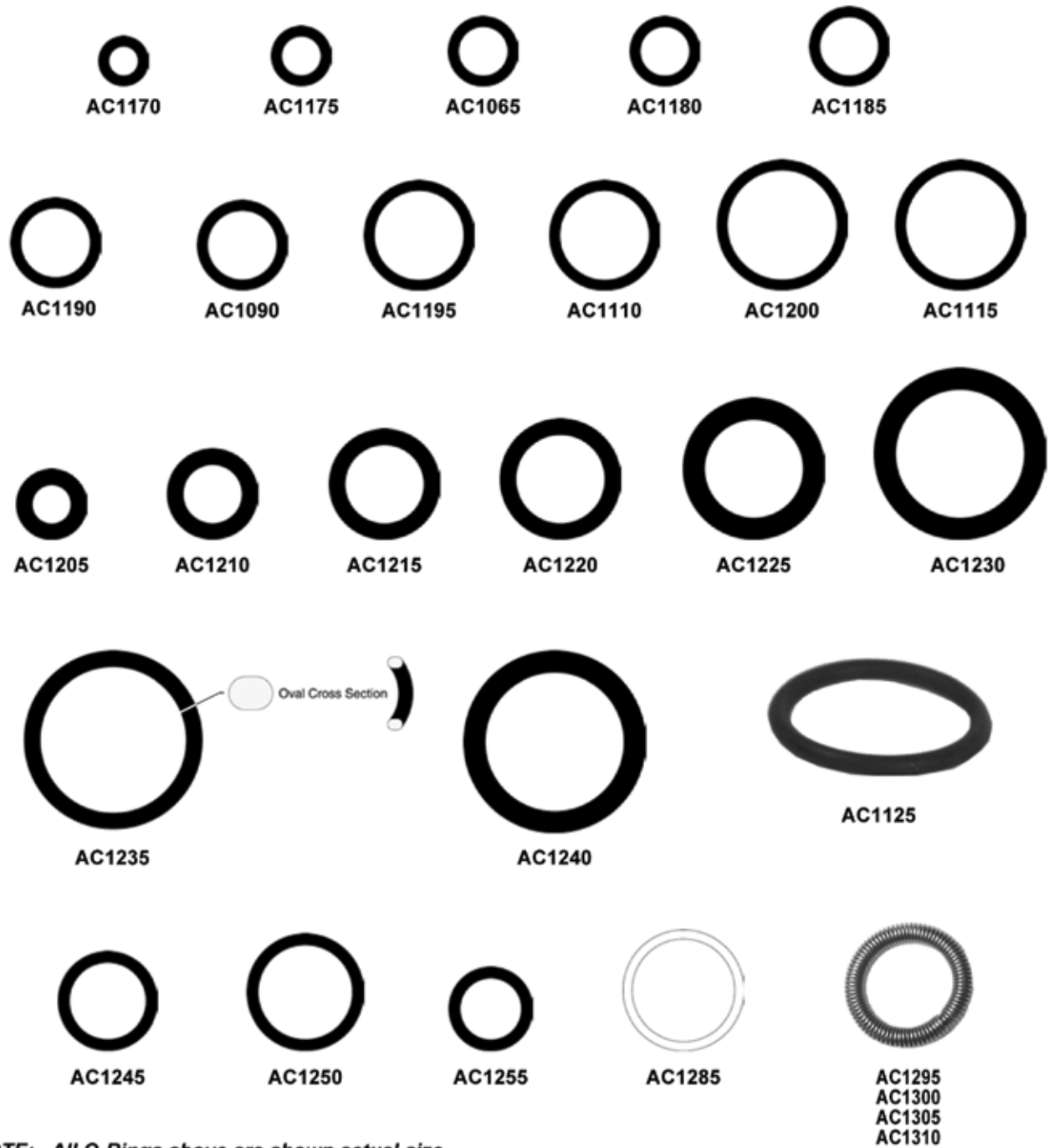


TORQUE RECOMMENDATIONS

Table 13-582: Torque Recommendations

Tube O.D.	Thread Size	ft/lb
FLARE CONNECTIONS		
3/8"	5/8"	18-20
1/2"	3/4"	36-39
5/8"	7/8"	52-57
3/4"	1 1/16"	71-79
O-RING CONNECTIONS		
3/8"	5/8"	11-13
1/2"	3/4"	15-20
5/8"	7/8"	21-27
3/4"	1 1/16"	28-33

O-RINGS



NOTE: All O-Rings above are shown actual size.



Slim line seal used in Freightliner applications



Mini Stat seals used in Freightliner applications

SLIM-LINE SEAL USED IN FREIGHTLINER APPLICATIONS

Table 13-583: Slim-Line Seals Used in Freightliner Applications

Part No.	Description	Part No.	Description
AC13500	Slim Line No. 6	AC13600	Slim Line No. 10
AC13550	Slim Line No.8		

MINI STAT SEALS USED IN FREIGHTLINER APPLICATIONS

Table 13-584: Mini Stat Seals Used in Freightliner Applications

Part No.	Description	Part No.	Description
AC13650	Mini Stat No. 6	AC13750	Mini Stat No. 10
AC13700	Mini Stat No. 8	AC13800	Mini Stat No. 12

O-RING SPECIFICATIONS

Table 13-585: O-Ring Specifications

Part No.	Color	Description
AC11700	Black	GM Capillary Tube O-Ring
AC11750	Black	1/4" (7/16-20) Valve Cap O-Ring, 1/4" (7/16-20) Retro Fitting Adapter O-Ring, Diesel Kiki Compressor Model DKS16H Oil Plug O-Ring, GM Oil Tube & Filter Bolt O-Ring, GM VIR Condenser Line O-Ring, Nissan No. 8 Hose Fitting & Filter Drier O-Ring, Nissan 8mm Switch, Liquid Line, STV Valve, Expansion Valve O-Ring
AC10650	Green	No. 6 Hose Filter Drier O-Ring, Ford No. 6 Springlock & Tube Fitting O-Ring, Ford Combination Valve Schrader Port O-Ring, GM VIR Pickup Tube O-Ring, Nissan No. 10 Hose Fitting & Filter Drier O-Ring, Nissan 10mm Filter Drier, Condenser O-Ring, Ford Expansion Valve O-Ring, GM DA6 Discharge Crossover O-Ring, Mazda No. 6 Springlock Fitting O-Ring, Diesel Kiki BH DKS13G Oil Plug O-Ring, Min. Pressure Relief Valve O-Ring, Volvo No. 6 Hose Fitting O-Ring, Hyundai No. 6 Springlock O-Ring

Note:

All O-Rings Purchased
Seperately Are Packaged
in Quantities of 25.

Part No.	Color	Description
AC11800	Black	No. 6 Hose Filter Drier O-Ring, Ford No. 6 Springlock & Tube Fitting O-Ring, Ford Combination Valve Schrader Port O-Ring, GM VIR Pickup Tube O-Ring, Nissan No. 10 Hose Fitting & Filter Drier O-Ring, Nissan 10mm Filter Drier, Condenser O-Ring, Ford Expansion Valve O-Ring, GM DA6 Discharge Crossover O-Ring, Mazda No. 6 Springlock Fitting O-Ring, Diesel Kiki BH DKS13G Oil Plug O-Ring, Min. Pressure Relief Valve O-Ring, Volvo No. 6 Hose Fitting O-Ring, Hyundai No. 6 Springlock O-Ring
AC11850	Black	No. 6 Compression Fitting O-Ring, Chrysler 6C17 Large Control Valve (Inner) O-Ring, York & Sanden Oil Plug O-Ring, GM Pressure Relief Valve O-Ring, Toyota Pressure Switch O-Ring, GM V5 Control Valve O-Ring, GM R-134a Two Piece 16mm Primary Seal O-Ring, Chrysler 6C17 Oil Plug & Pressure Relief Valve O-Ring, GM, Ford Pressure Cycling Switch O-Ring, Sanden Compressor 1/4" Service Port O-Ring, Mitsubishi FX105V Compressor Control Valve (Inner) O-Ring, GM In-Line Filter O-Ring, Volvo Cycling/Pressure Switch O-Ring
AC11900	Green	No. 8 Hose Fitting O-Ring, Ford No. 8 Tube Fitting & Non-metric Springlock O-Ring, Volvo No. 8 Hose Fitting O-Ring, Mazda No. 8 Springlock Fitting O-Ring, GM V5 Control Valve O-Ring, Nissan No. 12 Hose Fitting & Condenser Discharge Line O-Ring, Nissan 12mm STV Valve, Filter Drier, Condenser, Hose Fitting O-Ring, GM VIR Inlet Fitting O-Ring, Toyota Discharge Line O-Ring, Aeroquip Two Piece 13mm R-134a Adapter O-Ring, Mazda O-Ring, Hyundai No. 8 Springlock O-Ring, Mitsubishi Hose Fitting O-Ring
AC10900	Black	No. 8 Hose Fitting O-Ring, Ford No. 8 Tube Fitting & Non-metric Springlock O-Ring, Volvo No. 8 Hose Fitting O-Ring, Mazda No. 8 Springlock Fitting O-Ring, GM V5 Control Valve O-Ring, Nissan No. 12 Hose Fitting & Condenser Discharge Line O-Ring, Nissan 12mm STV Valve, Filter Drier, Condenser, Hose Fitting O-Ring, GM VIR Inlet Fitting O-Ring, Toyota Discharge Line O-Ring, Aeroquip Two Piece 13mm R-134a Adapter O-Ring, Mazda O-Ring, Hyundai No. 8 Springlock O-Ring, Mitsubishi Hose Fitting O-Ring
AC11950	Green	No. 10 Hose Fitting O-Ring, Ford No. 10 Tube Fitting & Non-metric Springlock O-Ring, Nissan Evaporator Suction Fitting O-Ring, Nissan 16mm STV Valve, Evaporator, Hose Fitting O-Ring, Toyota Suction Line O-Ring, Volvo No. 10 Hose Fitting O-Ring, Mitsubishi Hose Fitting O-Ring, Nippondenso TV Manifold Port O-Ring, Nippondenso TV10/TV12C/TV14C Sensor Housing O-Ring, Mazda Hose Fitting O-Ring, York, Tecumseh Tube-O Valve O-Ring, Aeroquip Two Piece 16mm Adapter O-Ring
AC11100	Black	No. 10 Hose Fitting O-Ring, Ford No. 10 Tube Fitting & Non-metric Springlock O-Ring, Nissan Evaporator Suction Fitting O-Ring, Nissan 16mm STV Valve, Evaporator, Hose Fitting O-Ring, Toyota Suction Line O-Ring, Volvo No. 10 Hose Fitting O-Ring, Mitsubishi Hose Fitting O-Ring, Nippondenso TV Manifold Port O-Ring, Nippondenso TV10/TV12C/TV14C Sensor Housing O-Ring, Mazda Hose Fitting O-Ring, York, Tecumseh Tube-O Valve O-Ring, Aeroquip Two Piece 16mm Adapter O-Ring
AC12000	Green	No. 12 Hose Fitting O-Ring, Ford No. 12 Tube Fitting & Non-metric Springlock O-Ring, VIR Expansion Valve Lower O-Ring, VIR Evaporator Fitting Outlet O-Ring, VIR Connection to Evaporator Suction Line O-Ring, GM V5 Control Valve O-Ring, Chrysler 6C17 Small Control Valve O-Ring, Volvo No. 12 Hose Fitting O-Ring, Nissan 19mm Evaporator Suction O-Ring

Note:

All O-Rings Purchased
Seperately Are Packaged
in Quantities of 25.

Part No.	Color	Description
AC11150	Black	No. 12 Hose Fitting O-Ring, Ford No. 12 Tube Fitting & Non-metric Springlock O-Ring, VIR Expansion Valve Lower O-Ring, VIR Evaporator Fitting Outlet O-Ring, VIR Connection to Evaporator Suction Line O-Ring, GM V5 Control Valve O-Ring, Chrysler 6C17 Small Control Valve O-Ring, Volvo No. 12 Hose Fitting O-Ring, Nissan 19mm Evaporator Suction O-Ring
AC12050	Black	No. 6 GM Captive O-Ring, Ford Combination Valve Evaporator Manifold Bleed Line O-Ring, Ford Block Expansion Valve O-Ring
AC12100	Black	No. 8 GM Captive O-Ring, Chrysler 6C17 Large Control Outer O-Ring
AC12150	Black	No. 10 GM Captive O-Ring, GM DA6, Sanden SD505/507/TR70/TR90 Compressor Shaft Seal Head O-Ring, Hitachi Compressor Crossover O-Ring, Matsushita Compressor Model S1150 Carbon Seal Head O-Ring
AC12200	Black	No. 12 GM Captive O-Ring, GM A6, R4, Sanden SD708/709 Compressor Shaft Seal Head O-Ring, Mitsubishi Compressor Model FX80 Suction Port O-Ring, Nihon Compressor Model DKV14C Carbon Seal O-Ring
AC12250	Black	Chrysler Block Expansion Valve Liquid Line O-Ring
AC12300	Black	GM A6, DA6, HR6, V5, Service Valve O-Ring, Nippondenso Compressor Model FX80 Suction Port O-Ring, Ford Compressor Model FX15/FS10 Service Valve O-Ring, Saab, Seiko, Seiki SS170PSS Compressor Service Valve O-Ring, Nissan York Rotary Vane Compressor Hose Manifold O-Ring
AC12350	Black	GM Compressor Models R4, DA6, HR6, HR6HE, V5 Oval Service Valve O-Ring
AC12400	Black	GM Compressor Model R4 Service Valve O-Ring, Chrysler Block Expansion Valve Suction Line O-Ring
AC12450	Black	GM 5/8" Dual Metric Connection O-Ring
AC12500	Black	GM 3/4" Dual Metric Connection O-Ring
AC12550	Black	GM 1/2" Dual Metric Connection O-Ring
AC12850	Black	York, Tecumseh Compressor Rotolock Teflon Seal
AC12950	Black	No. 6 Springlock Connection Garter Spring
AC13000	Black	No. 8 Springlock Connection Garter Spring
AC13050	Black	No. 10 Springlock Connection Garter Spring
AC13100	Black	No. 12 Springlock Connection Garter Spring

Note:

All O-Rings Purchased
Seperately Are Packaged
in Quantities of 25.

O-RING KITS



UNIVERSAL O-RING ASSORTMENT KIT

Table 13-586: O-Ring Assortment Kit

Part No.	Description
VH10250	Universal O-Ring Assortment Kit

Note: Qty. 10 each per complete kit. Individual parts may be ordered by referencing the part number for each item as listed in the table.

UNIVERSAL O-RING ASSORTMENT KIT CONTENTS

Table 13-587: O-Ring Assortment Kit Contents

Part No.	Description	Part No.	Description
AC10650	No. 6 GM/Ford, Chrysler/Import Hose Fitting O-Ring	AC12050	No. 6 GM Captive O-Ring
AC10900	No. 8 GM, Ford, Chrysler Import Hose Fitting O-Ring	AC12100	No. 8 GM Captive O-Ring
AC11100	No. 10 GM, Ford, Chrysler, Import Hose Fitting O-Ring	AC12150	No. 10 GM Captive O-Ring
AC11150	No. 12 GM, Ford, Chrysler, Import Hose Fitting O-Ring	AC12200	No. 12 GM Captive O-Ring
AC11700	Capillary O-Ring	AC12250	Chrysler Block Valve O-Ring
AC11750	Nissan No. 8 Hose Fitting/Dryer O-Ring	AC12300	GM A6, DA6, HR6, V5, Ford, FS10, FX15, 10PA Service Valve O-Ring
AC11800	No. 6 Ford Springlock Fitting O-Ring	AC12350	GM "Oval" Service Valve O-Ring
AC11850	Comp. Switch Port/Oil Plug/No. 6 Compression Fitting O-Ring	AC12400	Chrysler Block Valve/GM R4 Service Valve O-Ring
AC11900	No. 8 Ford Springlock Fitting O-Ring	AC12450	GM No. 10 Dual O-Ring
AC11950	No. 10 Ford Springlock Fitting O-Ring	AC12500	GM No. 12 Dual O-Ring
AC12000	No. 12 Ford Springlock Fitting O-Ring	AC12550	GM No. 8 Dual O-Ring

O-RING KITS (CONTINUED)



O-RING & SERVICE ASSORTMENT KIT

Table 13-588: O-Ring Assortment Kit

Part No.	Description
VH10200	1

Note: Individual parts may be ordered by referencing the part number for each item as listed in the table.

O-RING & SERVICE ASSORTMENT KIT CONTENTS

Table 13-589: O-Ring Assortment Kit Contents

Part No.	Qty.	Part No.	Qty.
AA11950	10	EA12850	10
AC10650	7	TB10050	1
AC10900	7	TB10100	1
AC11100	7	TB10250	3
AC11150	7	TB10300	3
AC11700	7	VG10850	10
AC12050	7	VH11450	20
AC12100	7	VH11650	3
AC12200	7	VH11800	10
AC12300	7	VH11850	10
AC12850	10		

O-RING KITS (CONTINUED)



JOB O-RING ASSORTMENT KIT

Table 13-590: Job O-Ring Assortment Kit

Part No.	Description
VH11600	Job O-Ring Assortment Kit

JOB O-RING ASSORTMENT KIT CONTENTS

Table 13-591: Job O-Ring Assortment Kit Contents

Contents	Qty.
O-Ring No. 4	1
O-Ring No. 6	7
O-Ring No. 8	6
O-Ring No. 10	4
O-Ring No. 12	1

O-RING KITS (CONTINUED)



ASSORTMENT O-RING KIT - R12 AND R134A COMPATIBLE

Table 13-592: Assortment O-Ring Kit - R12 and R134a compatible

Part No.	Description
AC13150	Assortment O-Ring Kit - R12 and R134a compatible

O-RING KITS (CONTINUED)



METRIC O-RING KIT

Table 13-593: Metric O-Ring Kit

Part No.	Description
AC13200	Metric O-Ring Kit

METRIC O-RING KIT CONTENTS

Table 13-594: Metric O-Ring Kit Contents

Kit Contents:	Qty.
No. 5 (7MM) Toyota Fitting Seal	10
Nippondenso Service Valve O-Ring	10
Nissan No. 6 Hose Fitting/ Expansion Valve O-Ring	10
Nissan No. 8 Hose Fitting/Dryer O-Ring	10
No. 8 Hose Fitting O-Ring	10
No. 10 Hose Fitting O-Ring	10
Nissan No. 10 Hose Fitting/Dryer O-Ring	10
Nissan No. 12 Hose Fitting/Condenser O-Ring	10
Nissan Evaporator Suction Line O-Ring	10
Nissan Condenser Liquid Line O-Ring	10
Nissan Compressor Flange O-Ring	10
Compressor Switch Port Oil Plug O-Ring	10
O-Ring Kit Listing	10

O-RING KIT LISTING

Table 13-595: O-Ring Kit Listing

Part No.	Contents
DELUXE O-RING KIT	
VH10200	A Complete Assortment of O-Rings Along w/ Seals, Gaskets, Schrader Valves, Expansion Valve Screens and Caps for R-12 and R-134a.
GM ASSORTMENT O-RING KIT	
AC13150	R-12 and R-134a Compatible
JOB O-RING ASSORTMENT KIT	
VH11600	Shown Above
METRIC O-RING KIT	
AC13200	A Complete Assortment of green R-134a O-Rings.
SERVICE SHOP O-RING KIT	
AC13250	A Complete Set of Standard Hose Fitting O-Rings for R-12 and R-134a.
UNIVERSAL O-RING KIT	
VH10250	A Complete Assortment of R-12 and R-134a O-Rings.

O-RING RUBBER MATERIAL DATA

Table 13-596: O-Ring Rubber Material Data

Rubber Type / Designation	Color	Automotive Application
Nitrile Buna / Buna N / NBR (Nitrile Butadiene Rubber)	Black	<ul style="list-style-type: none"> A/C Systems with R-12 Refrigerant & Mineral Oil Power Steering / Rack & Pinion Systems Heater Systems Fuel Systems
HSN (Highly Saturated Nitrile)/ HNBR (Hydrogenated Nitrile Butadiene Rubber)	Green or Yellow	<ul style="list-style-type: none"> A/C Systems with R-12 Refrigerant & Mineral Oil A/C Systems with R-134a Refrigerant & PAG (Polyalkylene Glycol) or POE (Polyol Ester) Refrigerant Oils
Neoprene/ CR (Chloroprene Rubber)	Black, Red or Blue Tinted	<ul style="list-style-type: none"> Same as HSN

HOSES & AIR LINES

AIR LINES

Table 13-597: Air Lines

Part No.	Description
AA11800	Black 1/8" Alr Line (50 ft)
AA11900	White 3/16" Alr Line (50 ft)
UE10350	n/a

HEATER HOSE

Table 13-598: Heater Hose

Part No.	Description
MD1085	5/8" Heater Hose (50 ft.)

DEFROST HOSE

Table 13-599: Defrost Hose

Part No.	Size I.D.	Length
AA11400	2"	50 ft
AA11450	2-1/2"	50 ft
GA11900	3"	50 ft
AA11500	3-1/2"	50 ft
AA11200	4"	50 ft
GE10200	n/a	n/a
GE10250	n/a	n/a

REFRIGERANT HOSE

Table 13-600: Refrigerant Hose

Part No.	Description	Length	Inside Diameter	Max Outside Diameter	Length
AA10650	Aero Quip Nylon Barrier Hose (R12 only)	10	1/2"	29/32"	50 ft
HE30741	Nylon Barrier Hose (R134a or R12)	12	5/8"	1-1/8"	50 ft

KITS & ACCESSORIES

RETROFIT KITS

HEAVY-DUTY RETROFIT ADAPTER KIT

Table 13-601: Heavy-Duty Retrofit Adapter Kit

Part No.	Description	Qty.
VH10150	Heavy-Duty Retrofit Adapter Kit	1

HEAVY-DUTY RETROFIT ADAPTER KIT CONTENTS

Table 13-602: Heavy-Duty Retrofit Adapter Kit Contents

Kit Contents	Description	Qty.
UE11100	Blue Retrofit Label	10
UE11150	Plastic Hose Ring Label	10
VH10300	Aeroquip Straight Flex Adapter 3/8"-24 Female x 7/16"-20 Male	1
VH10350	Aeroquip Straight Flex Adapter 7/16"-20 Female x 7/16"-20 Male	1
VH10450	Aeroquip 90° Flex Adapter 7/16"-20 Female x 7/16"-20 Male	1
VH10550	90° Steel 16mm x 3/16" Adapter with Red Cap	2
VH10600	90° Steel 16mm x 1/4" Adapter with Red Cap	4
VH10650	90° Steel 13mm x 1/4" Adapter with Blue Cap	4
VH10750	13mm High Flow Aeroquip Port Adapter	2
VH10800	16mm Red Cap for VH1055 Adapter	5
VH10850	13mm Blue Cap for VH1075 Adapter	5
VH10900	Straight Steel 16mm x 3/16" Adapter with Red Cap	10
VH10950	Straight Steel 16mm x 1/4" Adapter with Red Cap	5
VH11000	Straight Steel 13mm x 1/4" Adapter with Blue Cap	10
VH11050	1/4" Port Block Off Cap	5
VH11100	3/16" Port Block Off Cap	5
VH11150	Eaton 13mm SSV High Flow Valve Core	5
VH11200	Eaton 16mm SSV High Flow Valve Core	5
VH11250	Eaton 13mm SSV Port Cap - Black	5

NOTE: Individual parts may be ordered by referencing the part number for each item as listed in the table.

Kit Contents	Description	Qty.
VH11300	Eaton 16mm SSV Port Cap - Black	5
VH11450	Standard Flow Valve Core	10
VH11500	Bridgeport/Aftermarket 13mm Port Cap - Blue	5
VH11550	Bridgeport/Aftermarket 16mm Port Cap - Red	5

NOTE: Individual parts may be ordered by referencing the part number for each item as listed in the table.

R-134A RETROFIT BOX ASSORTMENT KIT

Table 13-603: R-134a Retrofit Box Assortment Kit

Part No.	Description	Qty.
VH12300	R-134a Retrofit Box Assortment Kit	1

R-134A RETROFIT BOX ASSORTMENT KIT CONTENTS

Table 13-604: R-134a Retrofit Box Assortment Kit Contents

Kit Contents	Description	Qty.
UE11100	Blue Retrofit Label	10
UE11150	Plastic Hose Ring Label	2
VH10900	Straight Steel 16mm x 3/16" Adapter with Red Cap	10
VH10950	Straight Steel 16mm x 1/4" Adapter with Red Cap	5
VH11000	Straight Steel 13mm x 1/4" Adapter with Blue Cap	10
VH11050	1/4" Port Block Off Cap	5
VH11100	3/16" Port Block Off Cap	5
VH11150	Eaton 13mm SSV High Flow Valve Core	2
VH11200	Eaton 16mm SSV High Flow Valve Core	2
VH11450	Standard Flow Valve Core	5

NOTE: Individual parts may be ordered by referencing the part number for each item as listed in the table.

HOSE ASSEMBLY & REPAIR KIT

Table 13-605: Hose Assembly & Repair Kit

Part No.	Description	Qty.
AA13100	Hose Assembly & Repair Kit	1

R-134A RETROFIT BOX ASSORTMENT KIT CONTENTS

Table 13-606: R-134a Retrofit Box Assortment Kit Contents

Part No.	Description	Qty.
AB34750	No. 6 Ferrule	10
AB34800	No. 8 Ferrule	10
AB34650	No. 10 Ferrule	10
AB34700	No. 12 Ferrule	10
TB10350	No. 1 Retainer Ring	10
TB10400	No. 2 Retainer Ring	10
TB10450	No. 3 Retainer Ring	10

NOTE: Individual parts may be ordered by referencing the part number for each item as listed in the table.

HOSE FERRULE

Table 13-607: Hose Ferrule

Part No.	Description	Qty.
AB34750	#6 Hose Ferrules	10
AB34800	#8 Hose Ferrules	10
AB34650	#10 Hose Ferrules	10
AB34700	#12 Hose Ferrules	10

RETAINER RINGS

Table 13-608: Retainer Rings

Part No.	Description	Qty.
TB10450	No. 3 Retainer Ring	20
TB1050	No. 4 Retainer Ring	20
TB1055	No. 5 Retainer Ring	20
TB1065	No. 7 Retainer Ring	20
TB1070	No. 8 Retainer Ring	20
TB1075	No. 9 Retainer Ring	20

RETAINER RINGS

Table 13-609: Retainer Rings

Part No.	Description	Qty.
TB10350	No. 1 Retainer Ring	20
TB10400	No. 2 Retainer Ring	20
TB1060	No. 6 Retainer Ring	20

TOOLS & ACCESSORIES

HEAVY-DUTY TRUCK & OFF-HIGHWAY KITS

Heavy-Duty Truck & Off-Highway Kit

VC20000

Kit Contents:

O-Rings, Gaskets, R-12 eliminator port cap, Retrofit charging adapters, R-134a label, and 12 oz of Castrol A/C Retro 100

OEM	Description
Autocar, Brockway, Chevy/GMC, Diamond Rio, Ford, Freightliner, International®, Navistar, Kenworth, Mack, Marmon, Peterbuilt, Volvo/White/GM, Western Star	CCI/Tecumseh Class 6, 7, & 8 Heavy-Duty Truck
Caterpillar, Deutz-Allis, Fiat-Allis, Allis Chalmers, Ford-Sperry, New Holland, Ford Tractor, Fox River, Hesston (HFI), Int'l Harvester, J.I. Case, John Deere, Long, Massey Ferguson, New Idea/Avco, Oliver, Steiger, Versatile, White Farm	CCI/Diesel Kiki Off-Highway Construction/ Agricultural Equipment



Heavy-Duty Truck & Off-Highway Kit

VC20050

Kit Contents:

O-Rings, Gaskets, R-12 eliminator port cap, Retrofit charging adapters, R-134a label, and 8 oz of Castrol A/C Retro 100

OEM	Description
Chevy/GMC, Ford, International®, Kenworth, Mack, Marmon, Mercedes, Nissan U.D., Peterbilt, Volvo/White/GM, Western Star, Iveco, Freightliner, Hino Isuzu, Kenworth, Mack, Marmon, Mercedes, Volvo/ White/GM	Sanden H.D./Seltec/Zexel/ Diesel Kiki Class 6, 7, & 8 Heavy-Duty Truck
Caterpillar, Deutz-Allis, Euclid, Fiat-Allis, Allis Chalmers, Ford-Sperry, New Holland, Ford Tractor, Hesston (HFI), International Harvester, J.I. Case, John Deere, Oliver, Steiger, Versatile, White Farm, Deutz-Allis, Ford-Sperry, New Holland	Sanden H.D./Seltec/Zexel/ Diesel Kiki Off-Highway Construction/ Agricultural Equipment



NOTE: To select the correct Retrofit Kit, identify the year and manufacturer of your vehicle. Review the corresponding compressors listed below the correct vehicle identification. If you are uncertain of the compressor model, check for an I.D. tag on the compressor, or check with your parts supplier.

VALVE CORES & INSTALLATION TOOLS

Table 13-610: Valve Cores & Installation Tools

<p style="text-align: right;">VH10500</p>  <p>Eaton SSV High Flow Valve Core Removal/ Installation Tool</p>	<p style="text-align: right;">VH11150</p>  <p>Eaton 13mm SSV High Flow Valve Core</p>	<p style="text-align: right;">VH11200</p>  <p>Eaton 16mm SSV High Flow Valve Core</p>
<p style="text-align: right;">VH11400</p>  <p>Three #10 Inlets</p>	<p style="text-align: right;">VH11450</p>  <p>Three #10 Inlets</p>	<p style="text-align: right;">VH12000</p>  <p>GM R-12 & R-134a High Flow Valve Core (Primary Seal Type) With Neoprene Seal</p>

LABELS

Table 13-611: Labels

UE11100



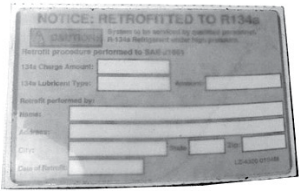
Blue Retrofit Label

VH111500



Plastic Hose Ring Label

UE1120



Label Retrofit Deluxe

VK1025



Label Kit

KEYS

Table 13-612: Keys

TB10250



CCI & Tecumseh Compressor Woodruff Key

TB10300



Sanden Shaft Key

ACCESSORIES

Table 13-613: Accessories


<p>AA11950</p>  <p>Service Valve Port Adapter Depressor</p>	<p>AC12850</p>  <p>CCI & Tecumseh Rotolock Service Valve Teflon Seal</p>	<p>EA12850</p>  <p>Expansion Valve Inlet Screen</p>
<p>TB10050</p>  <p>CCI & Tecumseh Compressor Woodruff Key</p>	<p>TB10100</p>  <p>Washer</p>	<p>VG10850</p>  <p>Charging Hose Gasket</p>

RETROFIT ADAPTERS

PORTS & ADAPTERS


Table 13-614: Ports & Adapters

Aeroquip Straight Flex Adapter




Part No.	Description
VH10300	3/8"-24 Female x 7/16"-20 Male Adapter
VH10350	7/16"-20 Female x 7/16"-20 Male Adapter

Aeroquip 90° Flex Adapter




Part No.	Description
VH10450	7/16"-20 Female x 7/16"-20 Male Adapter

High Flow Aeroquip Port Adapter



Part No.	Description
VH1070	16mm x 3/16" Adapter
VH10750	13mm x 1/4" Adapter

Aluminum Switch Port Adapter



Part No.	Description
VH12350	3/8"-24 to 10mm Adapter with Neoprene O-Rings

Aeroquip Straight Aluminum Port Adapter



Part No.	Description
VH1245	3/8"-24 (3/16") to 16mm Adapter w/Red Cap, w/o Valve Core

Aeroquip 90° Aluminum Port Adapter



Part No.	Description
VH1260	3/8"-24 (3/16") to 16mm Adapter w/Red Cap, with Valve Core

Bridgeport GM High Side Primary R-134a Adapter




Part No.	Description
VH12650	16mm Adapter with Red Cap, Valve Core & Neoprene O-Ring

R-134A RETRO FIT STEEL IN-LINE MOUNTED ADAPTERS

Table 13-615: R-134a Retro Fit Steel In-Line Mounted Adapters


In-Line Mounted Adapter Fitting R-134a		
Part No.	Fitting Size	Description
AB32750	16mm	No. 8 Female x No. 8 Male (1/4") 7/16" x 20 (1/4")




R-134A RETRO FIT STEEL ADAPTERS

Table 13-616: R-134a Retro Fit Steel Adapters


90° 16mm Adapter Fitting R-134a		
Part No.	Fitting Size	Description
VH10550	16mm	3/8" x 24 (3/16")
VH10600	16mm	7/16" x 20 (1/4")




90° 13mm Adapter Fitting R-134a		
Part No.	Fitting Size	Description
VH10650	13mm	7/16" x 20 (1/4")



90° 16mm Adapter Fitting R-134a		
Part No.	Fitting Size	Description
VH10900	16mm	3/8" x 24 (3/16")
VH10950	16mm	7/16" x 20 (1/4")



Straight 13mm Adapter Fitting R-134a		
Part No.	Fitting Size	Description
VH11000	13mm	7/16" x 20 (1/4")




Note: Adapters Include Cap, Valve Core, Neoprene O-Ring & Threadlock

STEEL PORT MOUNTED ADAPTERS


Table 13-617: Steel Port Mounted Adapters

90° 16mm Adapter Fitting R-134a



Part No.	Fitting Size	Description
AB32550	16mm	3/8" x 24 (3/16")

90° 16mm Adapter Fitting R-134a




Part No.	Fitting Size	Description
AB32400	16mm	7/16" x 20 (1/4")

Chrysler/ Ford/ Mercedes Primary Seal Port with O-Ring




Part No.	Description
AB34600	Chrysler/ Ford/ Mercedes 13mm Primary Seal Port with Green HNBR O-Ring (Aluminum)

16mm (3/16") Adapter Fitting R-134a



Part No.	Fitting Size	Description
AB32650	16mm	3/8" x 24 (3/16")
AB32600	16mm	3/8" x 24 (3/16")

Ford Primary Port with O-ring & Valve Core



Part No.	Description
AB34550	Ford 16mm x M12 x 1.5 Base Thread Primary Port with Neoprene O-ring and Valve Core

SERVICE EQUIPMENT

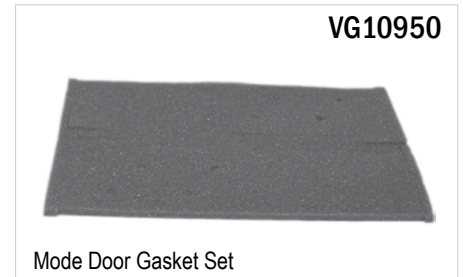
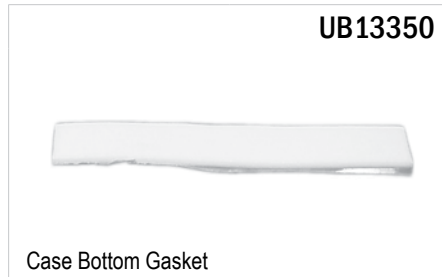
DIAL THERMOMETER

Table 13-618: Dial Thermometer



GASKETS

Table 13-619: Gaskets



ROTARY VANE VACUUM PUMP - R134A

Table 13-620: Rotary Vane Vacuum Pump - R134a

RD5-11118-0P	
Description	
Drive	Direct
Free Air Displacement	4 CFM
Number of Stages	Two Stage
Voltage	115V 60 HZ
Factory Micron Rating	20 Microns
Oil Capacity	13 oz
Weight	29 lbs.
Overall Width	5-1/2"
Overall Height	10"
Overall Length	16"
Intake Fitting	1/2" x 1/2" MFL



VACUUM PUMP OIL

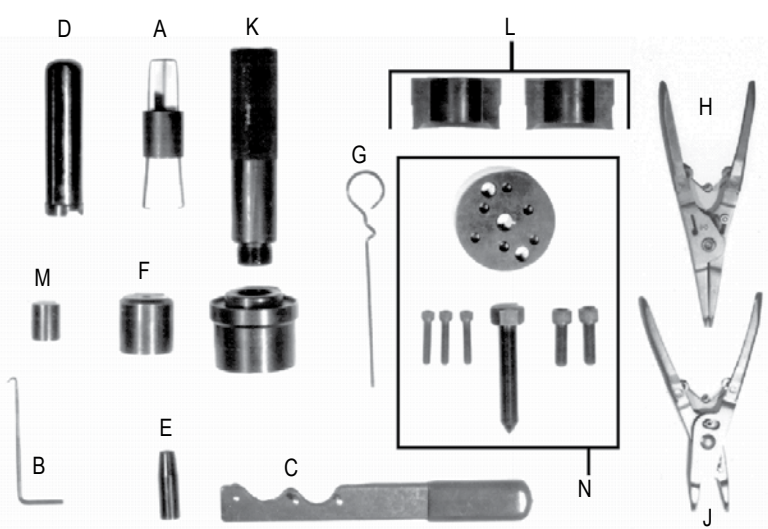
Table 13-621: Vacuum Pump Oil

LM10300
<p>Promotes internal sealing for good vacuum and absorbs unwanted vapor from evacuated units. Regular oil changes promote longer vacuum pump life.</p>

COMPRESSOR TOOL KIT

Table 13-622: Compressor Tool Kit

UC11200




Contents	
A	Seal Seat Remover
B	O-Ring Remover
C	Clutch Holder
D	Seal Remover/Installer
E	Seal Protector
F	Clutch Face Installer
G	Oil Dipstick
H	Internal Snap Ring Plier
I	External Snap Ring Plier
J	Handle
K	Puller Fingers
L	Puller Pilot
M	Puller Plate Assembly
N	Bearing Remover/Installer

Deluxe Sanden Tool Set for SD-508 and SD-510 Compressors

TRACERLINE LEAK DETECTION

Table 13-623: Tracerline Leak Detection

Titan UV/Blue Lamp **UC11900**



Voltage	12
Watts	100
Cord Length	4 ft
Inspection Range	5 ft
Weight	10.5 oz

LEAKFINDER BIG-EZ Kits for All A/C Systems



Part No.	Description
UC12800	R-134a/PAG/Dye Kit
UC12850	R-134a Universal Ester Dye Kit

Note: Includes a 4 oz BIGEZ cartridge with Fluoro- Lite universal A/C dye and injector assembly plus complete hardware. Treats up to 32 vehicle A/C systems.

Florescence Enhancing Glasses **UC11900**



Replacement Bulb for Titan UV/ Blue Lamp (UC1190) **UC12400**



12V, 100 Watts

TRACERLINE LEAK DETECTION (CONTINUED)

Glo-Away Dye Cleaner/Remover
Package Size: 16 oz

UC12250

Removes all traces of dye from repaired leak sites so repairs can be verified.

Water-based, nontoxic, nonflammable, noncarcinogenic, biodegradable and has no offensive odor.

Contains no harmful solvents or CFC's and is safe for use on plastic, rubber and metal.

Product can be shipped without a hazardous material surcharge.



Big-EZ Assembly

UC13550



R-134a BIG-EZ Cartridge Hookup

UC1360



R-134A SAE Lowside Hose Assembly comes with R-12 Adapter

LEAKFINDER BIG-EZ
Fluorescent A/C Dye Cartridge

UC11900



Part No.	Description
UC13000	R-134a/Universal POE (4 oz)
UC12950	R-134a PAG (4 oz)
UC14400	R-134a/Universal POE (8 oz)
UC14450	R-134a PAG (8 oz)

*Note: Package Size: 4 oz Cartridges
The only solvent-free dyes certified to meet or exceed SAE standard J2297.
The only solvent-free dyes certified to meet or exceed SAE standard J2297.
Fits all popular caulking gun and pump type dye injectors.*

Complete OPTIMAX/EZ-Ject Heavy-Duty Kit

UC14100



Pinpoint all refrigerant and fluid leaks.

Kit Contents:

- Carrying case
- 8 oz GLO-AWAY dye cleaner
- Fluorescence-enhancing glasses
- OPTIMAX LED flashlight with charger
- Dye service underhood labels
- 8 oz All-In-One dye for oil, fuel, ATF, power steering and hydraulic leaks
- 8 oz dye for coolant and truck/trailer/auto body leaks
- (2) 1/2 oz EZ-Ject universal dye cartridges
- R-134a AC&R hose and R-12 adapter/purge fitting
- EZ-Ject dye injector

TRACERLINE LEAK DETECTION (CONTINUED)

TEKMATE R-12 & R-134a Leak Detector

UC1370

Base package includes: Sensor, case, filters & (2) D cell batteries.

Kit Contents:

- Automatic sensitivity adjustment
- Variable – intensity audible alarm
- Long lasting performance on two D-size batteries
- Heated diode technology



A/C FLUSH EQUIPMENT

Table 13-624: A/C Flush Equipment

A/C Flush Gun Kit

VA10750



With hose and rubber tip nozzle. Compatible with R-12, Freeze 12 or R-134a A/C systems

A/C Flush Capture Hose

VE10150



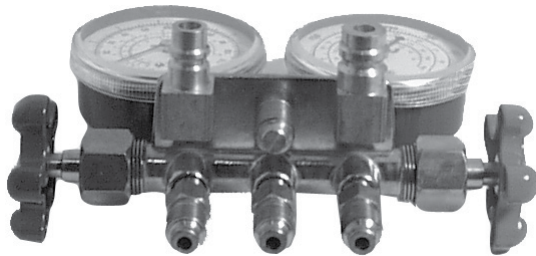
MISCELLANEOUS SERVICE EQUIPMENT

MANIFOLD GAUGE SETS

Table 13-625: Manifold Gauge Sets

Manifold Gauge Set without Hoses

UC13150



A professional mobile A/C manifold gauge made specifically for R-134a systems

Generic Low Side Manifold Gauge

UC13350



A quality replacement low side manifold gauge for any multi-refrigerant Manifold Gauge Set. Features recalibration adjustment (Blue)

Manifold Gauge Set without Hoses

UC13400



A professional mobile A/C manifold gauge made specifically for R-134a systems

Generic Low Side Manifold Gauge



UC13250



A quality replacement low side manifold gauge for any multi-refrigerant Manifold Gauge Set. Features recalibration adjustment (Blue)


R-134a DISPENSING TOOLS

Table 13-626: R-134a Dispensing Tools

<p>R-134a EZ Tapper VE10550</p>  <p>Makes servicing R-134a A/C systems with 12 oz cans of refrigerant faster and easier. Also includes an adapter for 4 oz cans of oil charge.</p>	<p>R-134a Recharge Kit LM11300</p>  <p>Designed for easy recharging of R-134a A/C systems using 12 oz cans. Contains dispensing valve, hose and low side quick coupler.</p>
--	--

A/C SERVICE PRODUCTS

Table 13-627: A/C Service Products

<p>Refrigerant Identifier 530879BSM</p>  <p>"Go" and "No Go" at a 98% purity level. Visual hydrocarbon alarm. Displays percent of air the A/C system or tank</p>	<p>Refrigerant Identifier Plus 530881BSM</p>  <p>Displays the actual percent of R-12, R134a, R-22, and air in the system and tank. Air Purge. Visual and audible hydrocarbon alarm. On-board printer port.</p>	<p>Low Side Quick Coupler AB34350</p>  <p>Includes a quick coupler, 7" barrier-type hose and shutoff valve to prevent the release of refrigerant. Shutoff valve will attach to any 14mm Male hose.</p>
<p>Service Coupling AB34450</p>  <p>R-134a High Side</p>	<p>Service Coupling AB34500</p>  <p>R-134a Low Side</p>	<p>In Line Pre-Filter JA2175</p>  <p>16 cu. In.</p>

A/C SERVICE PRODUCTS (CONTINUED)

In Line Flush Filter Dryer

JA2180



Spin-On filter

JB10300



For 17700A, 17700-2K, 34134A, 34134-2K, 342000, 34234, 34300-2K, 34700, 34700-2K, 34800, 34800-2K, 34900 Series

Thread Locking Material

UC1310



Conveniently sized tube of thread locking material to permanently attach R-134a or Freeze 12 conversion fittings to A/C service ports. Contains 0.2 fluid ounce/6 ml tube.

Heater Blanket for Recovery/Recycle Tanks

UC1345



When used with 30 or 50 lb. Recovery/Recycle cylinders, recharge time is greatly reduced. Also allows for full system recharge w/o having to start A/C system. 200 watts, 155 VAC, 60 Hz.

The Mini Temp Non-Contact Thermometer

UC13800



- 0° to 500° F
- Hand held
- 98% Accuracy
- Uses 9V Battery
- Data Hold Feature

Shield Style Digital Pocket Thermometer

UC13850



-40° to 300°F

Fin Straightener

UC13900



A six-in-one straightener to clean and straighten condenser and evaporator coil fins

Features:

- Tool is compact for use in confined spaces
- 8, 9, 10, 12, 14 and 15 fins per inch
- Handle size: 3-1/2" long
- Straighten size: 3-1/8" diameter

In Line Flush Strainer

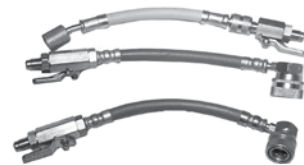
VA1115



Adapts 3/16" Male SAE high side service port on newer model vehicles to 1/4" Male SAE to allow for high side monitoring.

R-12 to R-134a Hose Conversion Kit

VE10250



Quickly converts your existing R-12 charging hoses over for use with R-134a systems. Includes high and low side quick couplers, a common service hose and shutoff valves to prevent the release of refrigerant. Shutoff valves will attach to any 1/4" SAE flare fitting.



AIR CONDITIONING



A/C SPLICE KIT

FEATURES & BENEFITS

- » Two-braid dies in four sizes, splices and compression fittings
- » A/C repair kit for all-makes, designed for making timely on-truck repairs

FITTING ASSORTMENT CASE

FEATURES & BENEFITS

- » Portable, stackable steel case
- » Popular fittings for two-braid to thin wall splicing
- » Parts separated, labeled and easy to find
- » Supplements the A/C starter kit (AC9200)



NOTE

This kit should be used in conjunction with the portable field crimper AC3477.

Scan the code for more information.
Get the free mobile app at <http://gettag.mobi>



A/C SERVICE PRODUCTS (CONTINUED)

Charging Hose Set

VE10300

A set of 72" red, yellow, & blue low permeation barrier-type hoses.

R-134a Professional Dispensing Valve

VE1035

For use with R-134a 12 oz. cans. Includes large handle for easier operation

Straight Manual Shutoff Valve

VH12850

Ball valve design with flexible hose controls refrigerant with a quarter turn of the valve handle. Meets SAE, EPA and UL requirements for containment of refrigerant. Can be operated with one hand. Screws onto charging hose end.

High Side Adapter:

VH12950

Adapts 3/16" Male SAE high side service port on newer model vehicles to 1/4" Male SAE to allow for high side monitoring.

Flex Hose Adapter

VH1300

Makes it easy to connect charging equipment to hard to reach 1/4" low side service ports. 1/4" Male SAE x 1/4" Female SAE.

CHEMICALS & LUBRICANTS

REFRIGERANT OIL

Table 13-629: Refrigerant Oil

Compressor
Mineral Oil

LM10150

Quality wax-free, compressor mineral oil for R12 air conditioning systems. One quart plastic bottle; printed calibrations to facilitate measured pouring. Viscosity is 500 S.S.U. @ 100° F.



12 x 1 qt

Ester Oil

LM1060

R-134a - Ester oil for
(CCI) York - Retro Fix II



12 x 14 oz.

MINERAL OIL

Table 13-630: Mineral Oil

High Grade
Mineral Oil
Lubricant

LM11650

High Grade Mineral Lubricant: premium mineral lubricant made specifically for R-12 A/C systems.



6 x 1 qt

SANDEN COMPRESSOR OIL

Table 13-631: Sanden Compressor Oil

Refrigerant Oil	LM1020
	
R-143a - Sanden SP-15	6 - 8.4 oz.

CASTROL TO SANDEN REFRIGERANT OIL COMPARISON

Table 13-632: Castrol to Sanden Refrigerant Oil Comparison

Castrol	Sanden	TRP®	Notes
PAG 46	SP10	LM1020	SP10 is double end cap
PAG 100	SP15		
PAG 150	SP20		SP20 discontinued, use SP15

CASTROL A/C FLUSH

Table 13-633: Castrol A/C Flush

<p>Castrol A/C Flush VA11000</p>  <p>4 x 1 gal Solvent Based</p>	<p>Castrol A/C Flush VA11650</p>  <p>6 x 1 qt Solvent Based</p>	<p>Castrol A/C Flush VA11700</p>  <p>6 x 1 qt Non-flammable</p>
--	---	---

Note: Effective flushing agents available for removing debris and sludge out of A/C components

CASTROL RETRO A/C - POLYOL ESTER OIL

Table 13-634: Castrol Retro A/C - Polyol Ester Oil

<p>Castrol A/C Flush LM11500</p>  <p>6 x 8 oz Synthetic Polyol Ester Lubricant</p>	<p>Castrol A/C Flush LM11600</p>  <p>6 x 1 qt Synthetic Polyol Ester Lubricant</p>	<p>Castrol A/C Flush LM1100</p>  <p>4 x 1 Gal. Synthetic Polyol Ester Lubricant</p>
--	--	---

Note: Can be used in R-12 and R-134a systems

CASTROL RETRO A/C - POLYALKYLENE GLYCOL

Table 13-635: Castrol Retro A/C - Polyol Ester Oil

<p>PAG 100 LM11350</p>  <p>6 x 8 oz For use in Seltec (Zexel, Diesel Kiki) R-134a compressors</p>	<p>PAG 150 LM11400</p>  <p>6 x 8 oz PAG refrigerant oil for use when servicing Sanden R-134a compressors</p>	<p>PAG 46 LM11450</p>  <p>6 x 8 oz A low viscosity ISO 46, Formulated for R-134a systems other than Ford or GM</p>
---	--	--

Note: For Sanden equivalents, see Castrol to Sanden Comparison Chart below.

OIL WITH UV DYE

Table 13-636: Oil with UV Dye

R-134a Ester Oil with
UV Dye

LM11700



6 x 8 oz

A mid viscosity Ester oil mixed with R-134a for easy charging into an R-134a system.

PAG 46 with UV Dye

LM11750



6 x 8 oz

PAG refrigerant oil for use when servicing Sanden R-134a compressors

PAG 100 with UV Dye

LM11800



6 x 8 oz

For use in Seltec (Zexel, Diesel Kiki) R-134a compressors.

PAG 150 with UV Dye

LM11850



6 x 8 oz

PAG refrigerant oil for use when servicing Sanden R-134a compressors.

OIL CHARGE

Table 13-637: Oil Charge


R-134a Oil Charge **LM1065**



12 x 4 oz.

2 oz. R-134a/2 oz. Castrol Retro A/C, Ideal for top off of R-134a systems - Quick, Easy, and Economical

R-134a PAG Oil Charge **LM11150**



A mid viscosity PAG oil mixed with R-134a for easy charging into an R-134a A/C system

CASTROL MAXI-CHARGE

Table 13-638: Castrol Maxi-Charge

Maxi-Charge **LM11200**



12 x 4 oz.

R-134a refrigerant with a performance booster and a leak sealer and conditioner. Good for all R-134a A/C systems.

CASTROL LUBE & SEAL

Table 13-639: Castrol Lube & Seal

Lube & Seal **LM11250**



12 x 9 oz.

Castrol's A/C Lube & Seal is a premium lubricant specially formulated for use with all A/C systems. A convenient aerosol spray lubricates and seals parts such as O-rings, fittings, compressor shaft seals, and gaskets to assure a safe reliable seal.

CASTROL LEAK STOP

Table 13-640: Castrol Leak Stop

Leak Stop **UC13050**



12 x 4 oz.

Helps to seal and detect most common A/C leaks in R-134a systems.

CHEMICAL & LUBRICANT SPECIFICATIONS

Table 13-641: Chemical & Lubricant Specifications

Part No.	Description	Pkg. Size
LUBRICANTS		
LM10150	Refrigerant Oil - Quality wax-free, compressor mineral oil for R12 air conditioning systems. Printed calibrations to facilitate measured pouring. Viscosity is 500 S.S.U. @ 100° F	12 x 1 qt
LM1020	Refrigerant Oil: R-143a - Sanden SP-15	6 - 8.4 oz.
LM11500	Castrol Retro A/C - Synthetic Polyol Ester Lubricant, Can be used in R-12 and R-134a systems	6 x 8 oz
LM11600	Castrol Retro A/C - Synthetic Polyol Ester Lubricant, Can be used in R-12 and R-134a systems	6 x 1 qt
LM11100	Castrol Retro A/C - Synthetic Polyol Ester Lubricant, Can be used in R-12 and R-134a systems	4 x 1 Gal.
LM11350	Castrol Retro A/C - PAG 100 For use in Seltec (Zexel, Diesel Kiki) R-134a compressors	6 x 8 oz
LM11400	Castrol Retro A/C - PAG 150 PAG refrigerant oil for use when servicing Sanden R-134a compressors	6 x 8 oz
LM11450	Castrol Retro A/C - PAG 46 A low viscosity ISO 46, Formulated for R-134a systems other than Ford or GM	6 x 8 oz
LM11650	Mineral Oil - A premium mineral lubricant made specifically for R-12 A/C systems	6 x 1 qt
LM11700	Castrol Ester with Leak Die - Synthetic Polyol Ester Lubricant, Can be used in R-12 and R-134a systems	6 x 8 oz
LM11750	Castrol Retro A/C - PAG 46 with Leak Die - A low viscosity ISO 46, Formulated for R-134a systems other than Ford or GM	6 x 8 oz
LM11800	Castrol Retro A/C - PAG 100 with Leak Die - For use in Seltec (Zexel, Diesel Kiki) R-134a compressors	6 x 8 oz
LM11850	Castrol Retro A/C - PAG 150 with Leak Die - PAG refrigerant oil for use when servicing Sanden R-134a compressors	6 x 8 oz
CHEMICALS		
VA11000	Castrol A/C Flush - Solvent based. Effective flushing agents available for removing debris and sludge out of A/C components	4 x 1 gal
VA11650	Castrol A/C Flush - Solvent based. Effective flushing agents available for removing debris and sludge out of A/C components	6 x 1 qt
VA11700	Castrol A/C Flush - Non-flammable Effective flushing agents available for removing debris and sludge out of A/C components	6 x 1 qt
LM11200	Castrol Maxi-Charge - R-134a refrigerant with a performance booster and a leak sealer and conditioner. Good for all R-134a A/C systems.	12 x 14 oz
LM11250	Castrol Lube & Seal - Castrol's A/C Lube & Seal is a premium lubricant specially formulated for use with all A/C systems. A convenient aerosol spray lubricates and seals parts such as O-Rings, fittings, compressor shaft seals, and gaskets to assure a safe reliable seal.	12 x 9 oz
UC13050	Castrol Leak Stop - Helps to seal and detect most common A/C leaks in R-134a systems	12 x 4 oz
LM1065	2 oz. R-134a/2 oz. Castrol Retro A/C, Ideal for top off of R-134a systems - Quick, Easy, and Economical	12 x 4 oz.
LM11150	A mid viscosity PAG oil mixed with R-134a for easy charging into an R-134a system	12 x 4 oz

MISCELLANEOUS COMPONENTS

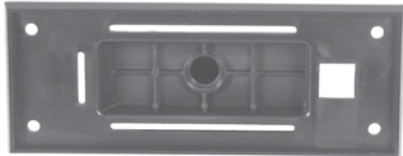
Table 13-642: Miscellaneous Components

<p>Slide FG10000</p> 	<p>Pulley VK10050</p> 	<p>Drain Tube 560101BSM</p> 
<p>Drain Tube AA11100</p> 	<p>Drain Tube MA11500</p> 	<p>Rod GE10050</p> 
<p>Cover GE10100</p> 	<p>Air Switch Guard HG11200</p> 	<p>Air Line Plastic Collar TG11700</p> 

MISCELLANEOUS COMPONENTS (CONTINUED)

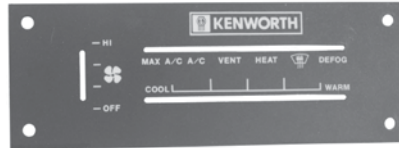
Heater Control Assembly

FB10050



Pulley

FB10100



Control Lever

FE10250



Control Lever

FE10350



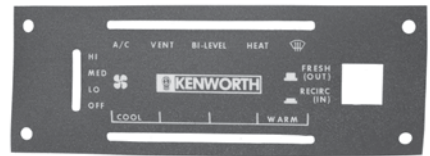
Control Bezel

GC10000



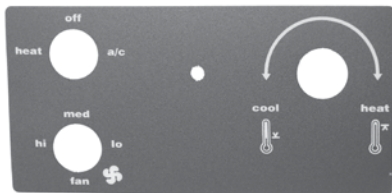
Control Decal

UA10050



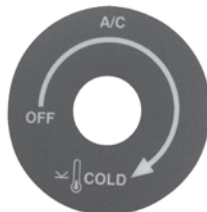
Control Decal

UA10100



Control Decal

UA10200



Control Decal

590910



MISCELLANEOUS COMPONENTS (CONTINUED)

HVAC Cross Reference

HVAC CROSS REFERENCE

AIRSOURCE (MEI)

Table 13-643: AIRSOURCE (MEI) X-REF

OEM PART No.	TRP® PART No.
0008	AC11700
1020	BA13250
1021	BA13050
1025	BE10250
1026	BE10050
1028	BA10800
1028	BE10000
1030	BA13250
1040	BE10100
1044	BA11800
1045	BA10300
1050	BA12050
1055	BA10050
1056	BA10050
1080	BA14150
1081	BA14100
1082	BA14550
1105	BA12600
1106	BA10400
1108	BA11000
1150	BA10650
1151	BA13900
1154	BA13950
1155	BA11450
1157	BA14250
1160	HG10600
1167	BA10600

OEM PART No.	TRP® PART No.
1187	BA10350
1220	CA10000
1221	CA10950
1229	CA10200
1233	CA10350
1233	CA11050
1235	BA13500
1241	BA10800
1245	CB10250
1246	CB10100
1249	CB13250
1250	CB10050
1250	CB11150
1251	CB10750
1252	CB10800
1252	CB13200
1255	CB10900
1257	CB11000
1266	CB13400
1267	CB13300
1268	CB13350
1270	FD10200
1271	FD10750
1272	FD10350
1286	FD10450
1315	BD10800
1318	BD14050
1325	BD10400
1326	BD14250
1326	BD14700
1327	BD14200
1328	BD10550
1330	BD10050
1331	BD10750
1332	BD11050
1333	BD14900
1336	BD10150

OEM PART No.	TRP® PART No.
1340	BD13400
1341	BD14300
1342	BD13550
1343	BD13350
1348	BD10350
1415	BA11400
1421	BB14500
1422	BB11050
1426	BB10050
1428	BB10000
1430	BB10000
1452	BA12500
1452	BB14000
1462	BA16000
1466	BB14150
1468	BB10500
1468	BB14150
1476	BB11200
1482	BB14100
1482	BB14250
1486	BB14050
1487	BB10800
1487	BB14300
1488	BB10250
1488	BB10750
1491	BB11100
1492	BB13900
1498	BA15200
1499	BA16100
1500	BC10100
1510	BC10150
1512	BB14550
1513	BB14600
1514	BA16200
1525	FA13700
1550	BC10050
1555	BA12650

OEM PART No.	TRP® PART No.
1560	BC10000
1565	BA12400
1600	EA10650
1602	EA10750
1602	EA13150
1604	EA10900
1606	EA10800
1606	329-456P
1609	EA13050
1610	EA10050
1612	EA13100
1613	EA14400
1614	EA14150
1615	EA14300
1617	EA13100
1620	EA10150
1620	EA13000
1620	EA14100
1625	EA10200
1625	EA12300
1630	EA10300
1639	EA14500
1640	EA13900
1650	EC10100
1651	EC10200
1652	EC10250
1653	EC10300
1654	EC10150
1655	CD10000
1656	EC10350
1658	EC10700
1659	EC10750
1675	VC10900
2002	BA12450
2005	BA12250
2104	MA10650

OEM PART No.	TRP® PART No.
2105	MA12750
2106	MA10600
2210	MA10450
2211	MA11000
2214	MA14250
2217	MA10150
2218	MA10100
2224	MA11650
2225	MA14450
2239	MA13500
2242	MA13550
2256	MA10000
2260	MA1655
2271	MA12050
2305	MA10200
2315	MA10500
2401	MA15350
2402	MA12350
2403	MA15000
2426	MA15050
2427	MA12350
2428	MA14650
2430	MA14850
2455	MA12800
2456	MA11400
2613	AB34300
3029	HB16500
3034	HA10700
3043	HA19100
3044	HA18250
3070	HA23400
3182	HB10500
3182	HB16100
3230	HA19950
3231	HB16250
3240	HB11050

OEM PART No.	TRP® PART No.
3244	HB13950
3251	HA23650
3283	HB11200
3321	HB16600
3322	HB10850
3322	HB1570
3368	HA15200
3372	HA11550
3385	HA17100
3389	HB10300
3393	HB11550
3402	HA10600
3552	HA15950
3625	HC11050
3626	HC10250
3631	HC10100
3631	HF15300
3640	HC12800
3641	HC14000
3650	HC13450
3660	HC10850
3670	HC13250
3675	HC14300
3675	HC16250
3685	HC14900
3715	HC13500
3737	HC11350
3738	HC10500
3739	HC13850
3741	HC14050
3750	HC13000
3760	HC11850
3770	HC11700
3772	HC10500
3774	HC10050
3805	HC10900

OEM PART No.	TRP® PART No.	OEM PART No.	TRP® PART No.	OEM PART No.	TRP® PART No.
3808	HC10800	4817	AC11150	5269	KA1405
3810	HC13050	4913	AE10450	5401	LA12700
3812	HC15900	4914	AE10400	5408	LA12650
3852	HD10150	4931	AB30200	5411	AB31500
3862	HD10200	5012	KA11900	5418	AB31450
3924	HA18700	5029	KA14850	5432	AB32050
3925	HA19900	5030	KA14800	5433	AB32100
3926	HA11250	5031	KA10950	5434	AB32150
3928	HA10700	5032	KA14900	5450	P137957
3936	HA18300	5033	KA10200	5451	AB31250
3937	HA16050	5036	KA10850	5452	AB31300
3942	HA19900	5037	KA11400	5486	VH12700
3944	HA21550	5044	KA13950	5506	AB31350
3945	HA23750	5047	KC10100	5507	AB31400
3946	HB17500	5054	KA10800	5508	LA12300
3952	HB10700	5055	KA10250	5510	LA12500
3964	HA21700	5056	KA10550	5511	AB31950
3965	HA18350	5059	KA12000	5512	AB32000
3967	HA23850	5063	KA10100	5513	AB32200
3968	HA17050	5096	KA10450	5514	AB32250
4150	UC10250	5100	LE4815	5515	AB31850
4151	UC10100	5126	KA14000	5516	AB31900
4152	UC10150	5127	KA14100	5517	AB32300
4220	UC11700	5128	KA14050	5518	AB32350
4338	AB22200	5129	KA15350	5519	AB34000
4339	AB22250	5131	KA14600	5520	AB34050
4350	AB23000	5138	KA4426	5521	AB31550
4351	AB23050	5141	KA10350	5522	AB31600
4352	AB23100	5144	KA10400	5524	AB33050
4353	AB23150	5145	KA15250	5528	AB33200
4358	RD5-12043-0P	5210	RD5-8637-0	5529	AB33250
4359	AB23250	5236	RD5-8637-0	5532	VH11800
4360	AB23300	5237	RD5-8637-0	5532	VH12200
4811	AC10650	5262	KA1040	5533	VH11500
4813	AC10900	5263	KA1095	5534	VH11550
4815	AC11100	5266	KA1525	5537	TB10300

OEM PART No.	TRP® PART No.
5538	TB10250
5540	AB33300
5541	AB20900
5546	AB32900
5547	AB32950
5549	AB33950
5552	AB34550
5553	AB34600
5555	VH10950
5556	VH11000
5557	VH10900
5558	VH10600
5559	VH10650
5560	VH10550
5574	VH13100
5576	AC12850
5578	VH11650
5579	VH11250
5580	VH11300
5633	HE11200
5720	4664SAN
5722	LF1040
5774	4271SAN
5985	LE1000
6020	PB10250
6022	PA11600
6023	PA14300
6024	PA14350
6025	PA14400
6034	PA14450
6034	PB10550
6036	PA10050
6036	PA14500
6036	PB10300
6037	PA10300
6055	PA12750

OEM PART No.	TRP® PART No.
6057	PB14600
6079	PA12000
6083	PA13000
6084	PA15700
6086	PB12000
6089	PA11900
6115	PB14300
6126	PA12900
6127	PA15700
6128	PB12200
6129	PB13600
6150	NB10300
6156	PB1450BSM
6160	PA12950
6166	PB12250
6167	PA10300
6191	PB12650
6195	PB14350
6200	PA15600
6204	PB13000
6211	PB13200
6215	PB13300
6227	PB12150
6228	PB13150
6229	PA15650
6276	PB12800
6277	PB12750
6308	PB13900
6312	PB13950
6314	PA12450
6314	PB14000
6503	NA11450
6505	NA10050
6507	NA12300
6515	NA11900
6549	NA10150

OEM PART No.	TRP® PART No.
6556	NA11700
6560	NA10750
6564	NA10200
6567	NA10950
6575	NB10250
6581	NA10400
6582	NA10250
6586	NC10000
6595	NB10050
6596	NB10450
6598	NA11800
6601	NA10900
6605	NA12850
6607	NA13050
6609	NA12900
6631	NA14750
6802	MC10600
6809	MC10250
6810	MC11000
6811	MC10950
6814	MC12200
6815	MC12350
6817	MC12550
6819	MC10500
6821	MC12400
6833	MC13600
6837	MC10300
6840	MC13500
6843	MC10450
6850	MC10200
6877	MC13450
6883	MC13550
6887	MC13400
6902	MC12150
6903	MC15850
6904	MC15800

OEM PART No.	TRP® PART No.
6905	MC12350
7111	JC21150
7118	JA20000
7125	JA11650
7126	JA11700
7126	JA18500
7130	JA13250
7132	JA11350
7132	JA13000
7133	JA17900
7134	JA20250
7135	JA1755
7135	JA17550
7140	JA10300
7143	JA12700
7143	JA18700
7143	JA18900
7152	JA20150
7154	JA11300
7155	JA18950
7156	JA10850
7157	JA11100
7159	JA12750
7159	JA12800
7159	JA20500
7160	JA17400
7162	JC21500
7163	JA17950
7165	JA17950
7166	JA19800
7168	JA20200
7169	JA18850
7170	JA17400
7175	JA13000
7175	JA13050
7185	JA20800

OEM PART No.	TRP® PART No.
7193	JA20550
7198	JA22150
7222	JA17950
7230	JA19600
7360	JA20550
7371	JA19800
7386	JA20350
7387	GD11350
7388	JA10700
7389	JA10900
7390	JA11050
7393	JA22250
7409	JC10800
7462	JC21800
7981	GD11450
7987	GD11600
7990	GD10200
8100	VC20000
8102	VC20050
8201	LM11500
8203	LM11600
8206	LM11350
8207	LM11450
8208	LM11400
8209	LM11150
8217	LM11250
8218	UC13050
8240	LM10150
8520	AA11400
8521	AA11450
8523	AA11500
8725	BD15500
8781	VG10850
8782	AA11950
8805	VA10750
8812	VA11700

OEM PART No.	TRP® PART No.
8812	VA11650
8813	VA11000
8915	VH11450
8925	VH11150
8989	AC13150
8990	UE11000
9011	HE16550
5771NC	LE4603

AUTOCAR

Table 13-644: AUTOCAR X-REF

OEM PART No.	TRP® Part No.
04-9047994	AE10300
04-9047995	AE10250
33417-3807	BA12200
61510-3803	JA11050
6A0165	BA12450

BEHR

Table 13-645: BEHR X-REF

OEM PART No.	TRP® Part No.
3100911TC	PA15600
3101011TC	PA15700
3101211TC	PA15650
3101311TC	PB12650
BOA-80-305-00-949	EC10800
BOA-80-319-00-089	GD11450
BOA-80-319-00-139	GD11400
BOA-80-319-00-159	GD11650
BOA-80-319-00-189	GD11700
BOA-80-321-00-079	EA10800
BOA-80-321-00-129	329-456P
BOA-80-321-00-209	EA14150
BOA-80-321-00-229	EA14400
BOA-80-321-00-249	EA14200
BOA-80-373-00-109	MC15800
BOA-80-375-00-589	NA14750
BOA-80-415-00-769	HA23650
BOA-80-415-00-789	HA21550
BOA-80-415-00-879	HA17050
BOA-80-612-02-109	CA10750
BOA-80-618-00-069	DA11600
BOA-80-926-00-059	BA13900
BOA-80-926-00-079	CA10200
BOA-80-926-00-129	BA13900
BOA-80-941-00-063	BB11050
BOA-80-946-00-079	BD10800
BOA-80-946-00-109	BD10800
BOA-85-200-71-009	MC15850
BOA-85-430-71-009	MC15900
BOA-85-440-50-009	HA18700
BOA-85-462-50-009	HA21700
BOA-85-471-77-009	MC16800
BOA-94350	HA23850

OEM PART No.	TRP® Part No.
BOA-I91560	GE11500
H0.373.00.209	MC16550
H0.377.00.249.00	MC16400
H0.618.00.009	DA1150

BERGSTROM

Table 13-646: BERGSTROM X-REF

OEM PART No.	TRP® Part No.
107800	MC10100
108201	MC11300
108204	MC11200
108206	MC11650
108220	MC13750
108240	MC13500
108244	MC13600
108245	MC13450
108263	MC11350
108269	MC13400
108288	MC13550
108289	MC13650
108291	NA12950
108296	MC10150
108297	MC10200
108298	MC10250
108299	MC10300
108301	MC10450
108302	MC10500
108303	MC10600
108304	MC10950
108305	MC11000
108311	MC12150
108312	MC12200

OEM PART No.	TRP® Part No.
108314	MC12350
108315	MC12400
108316	MC12550
108321	MC12350
108367	MC15800
108368	MC15850
108369	MC15900
108376	MC14550
108382	MC14800
108391	MC15200
108393	MC15300
108403	MC15750
108416	MC16400
108419	MC16550
110470	MC10550
110640	MC10050
110650	MC10850
150100	NA10600
150101	NC10100
151100	NA10300
151270	NA10450
151280	NA10050
151290	NA10500
151301	NA12800
151303	NA12750
151304	NA12850
151307	NA12700
151321	NA11500
151326	NA13050
151328	NA10900
151331	NA12650
151336	NA13000
151346	NA12900
151353	NA10150
151354	NA10200
151356	NA10400

OEM PART No.	TRP® Part No.	OEM PART No.	TRP® Part No.	OEM PART No.	TRP® Part No.
151359	NA10750	160157	PB13600	203188	HB13950
151361	NA10950	160158	PB13650	203203	HA19100
151364	NA11450	160164	PB13900	203212	HB10700
151365	NA11700	160165	PB13950	203218	HA19950
151366	NA11800	160166	PB14000	203225	HA11550
151368	NA11900	160173	PB14300	203233	HA21800
151372	NA12300	160174	PB14350	203234	HA21850
151374	NC10000	160178	PB1450BSM	203255	HA23400
151378	NB10450	160181	PB14600	203258	HA10700
151379	NB10300	201520	HA15950	203311	HA21900
151381	NA10250	202220	HA19500	203325	HB11050
151383	NB10050	202270	HA15750	203333	HA22000
151384	PA12000	203020	HA18050	203335	HB11550
151421	NA14750	203056	HA19550	203336	HB11350
160004	PA11900	203059	HA19800	203341	HA22050
160005	PA12750	203061	HB16700	203342	HA22100
160006	PA12000	203066	HA19600	203344	HA22200
160007	PB10250	203070	HB16600	203356	HA23650
160012	PB10550	203076	HA16050	203363	HA23750
160023	PB12000	203080	HB16100	203364	HB17500
160031	PB12150	203085	HB1570	203368	HA23850
160032	PA15600	203088	HA19700	205620	HA15200
160033	PB12200	203090	HB16600	205780	HB10500
160035	PB12250	203097	HA19900	205790	HB16500
160049	PA15700	203113	HA18350	205840	HB15700
160061	PA15650	203132	HA10700	205853	HB16250
160089	PB12650	203133	HA10600	351740	FC10550
160092	PA11600	203134	HB10850	395810	FC10150
160138	PB12750	203147	HA18700	444700	HE10100
160139	PB12800	203166	HA23400	462710	TG11700
160145	PB13000	203172	HA11250	465020	FC10450
160146	PB13050	203173	HA11550	465030	GE10000
160148	PB13150	203175	HA23400	500002	GA11850
160149	PB13200	203179	HA17100	500108	GB13350
160151	PB13300	203184	HB10300	500109	GB13500
160153	PB13400	203187	HB11200	500123	GA10500

OEM PART No.	TRP® Part No.	OEM PART No.	TRP® Part No.	OEM PART No.	TRP® Part No.
500152	GB10150	525460	UE12250	526099	JC11950
507700	HC14700	525543	GD11600	526101	JC21000
508300	HC10800	525600	UE12100	526105	JC21200
510011	HC13850	525674	VH11600	526107	JC21300
510013	HC13850	525676	LM11500	526110	JC21450
510014	HC14900	525678	LM11600	526111	JC21500
510025	HC10850	525681	LM11450	526112	JC21550
510026	HC13950	525682	LM11350	526113	JC21600
510027	HC14050	525683	LM11400	526117	JC21800
510035	HC14300	525685	VA11700	526118	JC21850
510038	HC14000	525688	LE1000	526177	LE4815
510039	HC10250	525692	4664SAN	526211	HE11200
510044	HC13000	525712	EC10100	526302	VK10050
510046	HC13250	525732	LE1000	526309	FD11150
510047	HC13450	525737	LE1000	526311	FD10250
510048	HC13500	525738	LE1000	526312	FD10350
510061	HC16250	525741	RD5-8637-0	526314	FD10150
510073	HC16300	525743	KA1040	526357	LE4603
510075	HC16400	525759	LE1000	526406	GE11500
510079	HC11350	525761	JC10800	529800	HC12800
510087	HC11850	525784	GD11500	530284	UC12950
510102	HC10100	525812	FD12400	530286	UC12250
510103	HC11200	525844	KA1095	530289	UC12400
515400	HC14750	525846	KA1525	530319	VE10550
520152	UB12300	525860	VA10750	530320	LM11300
520157	UB13350	525861	LM10150	530325	VE10250
520217	GD10200	525933	LM11150	530374	AB34450
525026	FD10450	525934	UC13050	530376	AB34500
525035	FB10050	525935	VA11000	530391	UC12800
525047	FD11200	525936	VA11650	530392	UC12850
525048	FD10300	525937	LM11200	530393	UC13550
525116	GA10900	525938	LM11250	530395	VE10150
525335	BD14300	526047	4271SAN	530403	UC13150
525406	UE12300	526054	KA1405	530404	VE10300
525458	UE12200	526078	FD12250	530405	AB34350
525459	UE12150	526079	FD12350	530409	UC13250

OEM PART No.	TRP® Part No.	OEM PART No.	TRP® Part No.	OEM PART No.	TRP® Part No.
530411	UC13350	540023	MA13500	540142	JA20000
530412	UC13400	540024	MA13550	540146	JA20550
530415	VH12850	540027	EA13000	540147	JA20650
530417	VH12950	540031	EA10650	540172	EA10150
530455	UC10250	540035	EA13150	540173	EA10300
530463	UC10150	540044	EA13050	540175	EA10050
530470	UC12950	540053	EA13100	540185	LA12300
530471	UC12950	540058	EA10200	540186	LA12500
530472	UC13000	540059	JA10850	540191	AB31150
530477	LM10300	540060	JA10700	540192	AB31200
530500	DA11600	540061	JA19600	540193	AB31250
530505	GD11400	540062	JA10900	540194	AB31300
530506	GD11450	540063	JA13000	540195	AB31350
530535	HC13350	540064	JA11700	540196	AB31400
530537	HC13050	540065	BB10000	540197	AB31450
530541	UC10100	540073	JA20200	540198	AB31500
530634	AA13100	540075	JA10450	540199	AB31550
530635	AB34750	540082	MA14250	540201	AB31600
530636	AB34800	540085	MA14650	540202	AB31650
530637	AB34650	540086	MA13550	540203	AB31700
530638	AB34700	540087	JA20000	540206	AB31850
530639	TB10350	540088	JA1755	540207	AB31900
530641	TB10400	540089	JA17400	540208	AB31950
530642	TB10450	540092	JA17400	540209	AB32000
530657	DA1150	540093	JA17950	540211	AB32050
530669	UC1425	540094	JA13000	540212	AB32100
530672	UC13800	540095	JA13050	540213	AB32150
530673	UC13850	540104	JA20150	540214	AB32200
530674	UC13900	540106	JA11650	540215	AB32250
530743	JB10300	540109	JA13000	540216	AB32300
534100	BA11000	540121	JA12700	540217	AB32350
538700	HC11700	540126	JA18700	540219	AB33950
538800	HC10950	540128	329-456P	540221	AB32900
540018	EC10150	540132	EA13900	540222	AB32950
540021	EA10750	540137	JA17950	540224	AB33050
540022	EA14100	540138	JA19800	540225	AB34000

OEM PART No.	TRP® Part No.	OEM PART No.	TRP® Part No.	OEM PART No.	TRP® Part No.
540226	AB34050	550231	AB23000	550402	VH11400
540227	AB33200	550232	AB23050	550403	VH11450
540228	AB33250	550233	AB23100	550404	GB12350
540229	AB20900	550234	AB23150	550432	VC20000
540231	AB33300	550239	RD5-12043-0P	550433	VC20050
540233	JA10900	550241	AB23250	550434	VC20050
540235	JA11100	550242	AB23300	550441	VH12300
540238	JA20350	550243	AB23350	550467	AB30200
540252	JA20550	550252	VH11550	550488	AB32400
540260	P137957	550253	VH11500	550492	AB32550
540261	JC10850	550284	VH10900	550493	AB32600
540264	EA14500	550285	VH11000	550494	AB32650
540265	EC10200	550312	AB22200	550496	AB32750
540266	EC10250	550313	AB22250	550497	VH12200
540267	EC10350	550366	VH10150	550498	VH1110
540268	EC10300	550367	VH10200	550501	VH12650
540274	EA14150	550369	VH10250	550503	VH10650
540275	EA14200	550375	UE11100	550506	VH10950
540277	EA10800	550376	UE11150	550507	VH12350
540294	MA11400	550381	VH10300	550508	VH12000
540296	MA11000	550382	VH10350	551112	VH13050
540306	MA15250	550384	VH10450	551113	VH11050
540308	MA15050	550385	VH10500	551144	AB35300
540309	MA15000	550386	VH10550	551146	AB35000
540310	MA15350	550387	VH10600	551147	AB35150
540317	EA14300	550388	VH10650	551148	AB35200
540320	EA14400	550391	VH10750	551149	AB35350
540334	LA12650	550392	VH10800	551151	AB34900
540335	LA12700	550393	VH10850	551152	AB35050
540369	EC10750	550394	VH10950	551153	AB35250
540371	EC10700	550395	VH11050	551154	AB35400
540372	EC10650	550396	VH11100	551155	AB34950
540373	AB34550	550397	VH11150	552500	FD11300
540426	JA22350	550398	VH11200	557110	FD10200
540700	HC10700	550399	VH11250	558500	GA10050
550177	UD10400	550401	VH11300	560175	AA11500

OEM PART No.	TRP® Part No.	OEM PART No.	TRP® Part No.	OEM PART No.	TRP® Part No.
563500	HC10050	580117	AC12400	591530	DC10000
564700	AC10900	580118	AC12450	591540	DB10100
570120	AC10650	580119	AC12500	591750	DC10100
570140	UE11000	580121	AC12550	650088	BA10600
570141	UE11000	580123	AC11800	650111	CC10000
570420	JA11300	580124	AC11900	650117	BD13350
572440	DB10500	580125	AC11950	650149	BD10550
572770	AC11100	580210	AC11150	650163	BD13550
572980	HC15900	580277	AC12950	650171	CA10350
575080	HC15950	580278	AC13000	650175	CB10900
576270	EA12300	580279	AC13050	650177	CA10950
577830	GB10200	580281	AC13100	650179	CA10350
580087	AC11700	580538	AE10450	650204	BB13900
580088	AC12050	580539	AE10400	650254	CD10000
580089	AC12100	580541	AB21450	650417	BD14900
580091	AC12200	580552	AB34600	650438	BA12050
580092	AC12150	582910	UD10350	650441	CA10000
580093	AC12300	582920	AD10000	650448	BC10150
580094	AC12850	582930	UD10400	650449	BC10050
580095	TB10050	582940	EA10650	650451	BC10050
580096	TB10100	585150	DB10800	650453	BA12400
580098	AA11950	585520	GB12500	650476	BD11050
580099	VG10850	586970	GB10600	650477	CA11050
580103	TB10250	587380	HC16000	650482	KA13950
580104	TB10300	588060	GB12400	650483	KA10400
580105	VH11450	589470	UD10250	650483	KA10400
580106	VH11650	589490	BD13400	650484	KA10450
580107	VH11450	589500	EA10900	650485	KA10100
580108	VH11800	589540	HC10500	650487	KA10950
580109	VH11850	589740	FD10000	650488	KA10850
580111	EA12850	589910	DB10150	650492	KA11400
580112	AC11750	590850	UA10050	650493	KA11900
580113	AC11850	591390	GE10250	650495	KA10200
580114	AC12000	591400	GE10200	650496	KA10350
580115	AC12250	591510	DB10050	650502	KA10800
580116	AC12350	591520	DB10000	650504	KA10250

OEM PART No.	TRP® Part No.	OEM PART No.	TRP® Part No.	OEM PART No.	TRP® Part No.
650505	KA10550	650644	BE10000	650992	BA10300
650511	BD10800	650646	BA11400	650995	CC39300
650535	KC10100	650647	BA13050	650997	BD10050
650543	KA14600	650648	BD10150	651009	BA16200
650545	KA14800	650649	BD10350	651011	CB13400
650546	KA14850	650651	BD10400	651012	CB13350
650547	KA14900	650654	BD10150	651021	BA16050
650563	BD10150	650655	BA10800	651022	BA13900
650564	BD14700	650657	BA13900	651026	BA14950
650567	CB10900	650661	BB13750	651028	BA16100
650568	CB11000	650662	BB13800	651029	BA16150
650589	BA13500	650663	BB14000	651056	KA16750
650592	BB14000	650684	BA14250	651057	KA16800
650593	BB14050	650690	CB10750	651058	KA16850
650594	BB14100	650719	BB11200	651069	CB13150
650595	BB14150	650731	CB10800	651070	CB13200
650597	BB14250	650823	CA10200	651071	CB13250
650598	BB14300	650840	FF10400	651076	BA15500
650601	BB13900	650867	KA15350	651090	KA12000
650603	BB14500	650868	KA15250	651105	BA12650
650605	BA13950	650869	BB14550	651106	FA13700
650606	BA14100	650870	BB14600	651119	BB11100
650607	BA14150	650871	BA14550	651142	BD14250
650612	CA10950	650878	BD10750	651143	BD11050
650627	BA12400	650890	CD10000	651150	CB10050
650629	BB10050	650923	KA14050	651157	HG10600
650631	BB10750	650928	KA15300	651168	CC39400
650632	BB11050	650942	BA12450	651215	CC29200
650633	BC10000	650944	BB10500	651245	CC29250
650634	BC10050	650947	BA16000	651332	BA15200
650635	BC10100	650954	BA12150	651390	BD10150
650636	BC10150	650964	BA10050	651690	BA10650
650639	BA11450	650966	KA10950	652050	FF10350
650641	BA11800	650973	KA14100	652080	FF10000
650642	BA12600	650974	KA14000	652090	BA10050
650643	BA13250	650983	CB13300	652100	BA10800

OEM PART No.	TRP® Part No.	OEM PART No.	TRP® Part No.	OEM PART No.	TRP® Part No.
652420	CB11150	869260	MA16900	540077C	JA17400
652460	FF10200	869281	MA12800	540078C	JA11350
660318	FF10550	869310	MA10600	540091C	JA17550
660320	FF10250	869316	UN10250	540096C	GD11350
660369	FF10900	869318	FR1005KYSO	540102C	JA17950
695014	DA10050	869345	HD11350	540103C	JA19800
695035	FR10200	869346	HD11350	540107C	JA13250
704210	BD14850	869347	HD11300	540122C	JA12750
709470	UE10350	869348	HD10150	540127C	JA19600
756020	HD10900	869349	HD11350	540237C	JA20250
756600	HD11500	869437	AC13200	540299C	JA20800
808900	GB12550	869445	HA23700	540300C	JA12800
865060	CD10250	869596	MA1655	540322C	JA22150
865850	MA10000	869618	MA15850	756360C	HD11450
866860	MA10400	869619	MA10650	756610C	HD12450
867405	MA11100	869621	MA15950	756720C	HD12400
867559	BB10250	869636	MA12750	756724C	HD11350
867855	MA13650	869638	MA10100	756725C	HD11300
867901	MA14800	869639	MA11650	756726C	HD10150
868013	HA18300	869653	MA10150	756728C	HD10200
868029	HE10600	869701	HA21700	B220891	BA10400
868192	RD10600	869859	AC13250	B260090	HC11050
868242	RD10200	869893	AC13150	B260640	HF15300
868293	RD10650	869933	HD12500	B314000	GA11900
868516	MC1615BK	870074	HE16550	B360480	HC10500
868688	RD10700	870081	MA16900	B360874	VH13100
868790	HA18700	870084	MA16950	B401023	PA14300
868820	MA10200	870085	MA17000	B401024	PA14350
868823	MA12050	890029	VG10950	B401025	PA14400
869091	MA16350	890050	HA18250	B401030	PA10300
869121	VH12700	890063	HA19900	B401034	PA10050
869187	MA14850	890067	HA21550	B401036	PB10300
869188	MA14450	890096	VC10900	B401054	PA14850
869190	MA10500	526024C	JA20500	B401075	PA14650
869191	MA12350	540071C	JA17900	B404019	BD14200
869192	AB34300	540072C	JA18850	B404028	BD10150

OEM PART No.	TRP® Part No.
B404075	BD14050
B404255	EA10650

BLISSFIELD

Table 13-647: BLISSFIELD X-REF

OEM PART No.	TRP® Part No.
31561-1	LA1040

CHEVY/ GMC

Table 13-648: CHEVY/ GMC X-REF

OEM PART No.	TRP® Part No.
303196	HB10500
662013	MA15850
1131394	JC21800
1131406	JC21800
1131723	JC21800
1132018	JC21600
1618951	CB13200
1626239	CB13200
2098912	CB13200
2724260	JC21800
2724262	JC21800
2724816	JC11950
2724817	JC11950
2724832	JC21600
2724899	JC21600
2724924	JC21000
2724962	JC21000

OEM PART No.	TRP® Part No.
3028652	HB10500
3031336	BB11050
3031409	BB11050
3031995	HB10500
3033879	EC10100
3033919	EC10100
3034719	MC14800
3034749	MC14800
3034845	HB10500
3036721	HC16300
3037550	HC16400
3041336	BB11050
3041409	BB11050
3041596	BB11050
3059318	JC21850
3094154	HC16400
3096068	EC10300
4961626	HB10500
6551998	BA15500
14089936	CB13250
15683829	BB14000
25520198	CB13200
25530733	CB13150
52450299	PB1450BSM
52451060	HC16300
52457854	BB13800
52460703	HA19100
52466358	BB13750
52666047	HA19100

CLIMATE CONTROL INC

Table 13-649: CLIMATE CONTROL INC X-REF

OEM PART No.	TRP® Part No.
022-21564	P137957
022-25024	AB31300
022-25025	AB31250
022-25103	VH10950
022-25104	VH11000
024-21590	KA10400
024-21590	KA10400
024-21942	KA10950
024-25006	KA14850
024-25078	KA14800
024-25144	KA14100
024-25238	KA15250
024-25241	KA15350
024-25244	KA14000
024-25247	KA14050
024-25412	KA14900
028-07146	AC12850
029-09888	TB10250
488-21237	RD5-8637-0
488-21569	RD5-8637-0
488-25274	VH12700
ER210L-20300	RD5-8637-0
ER210L-21562	RD5-8637-0
ER210L-21569	RD5-8637-0
ER210L-21570	RD5-8637-0
ER210L-25149	RD5-8637-0
ET210L-25007C	KA1040
ET210L-25073C	KA1040
ET210L-25076C	KA1095
ET210L-25237C	KA1525
ET210L-25246C	KA1405
ET210L-25246C	KA1405
ET210L-25277C	KA1525

CLIMATECH

Table 13-650: CLIMATECH (OLD) X-REF

OEM PART No.	TRP® Part No.	OEM PART No.	TRP® Part No.	OEM PART No.	TRP® Part No.
525435	GE10000	EA1060	EA10650	JA1620	JA19600
525812	FD12400	EA1085	329-456P	JA1705	JA17550
4695-9931	KA4426	EA1240	EA10750	JA1815	BD10550
488-45011	103-55011	EA1365	329-456P	KA1005	KA10950
488-45077	103-55077	FD1005	FD10200	KA1120	KA10350
488-46030	103-56030	FG1005	BA10650	KA1330	KA10550
869260BSM	MA16900	FG1015	CB11150	KA1360	KA10400
AC1005	AC11100	GD1155	GD11450	KC1005	BA10800
AC1030	AC10900	HA1140	HA11550	L11100	VH11650
AC1060	AC11100	HA1180	HA23400	LA1030	UC10100
AC1150	AC11150	HA1245	HA19900	LA1150	LA12650
AC1290	AC10900	HA1800	HA10700	LA1170	LA12500
BA1000	BA10050	HB1025	HB10700	LA1225	CD10000
BA1045	BA10800	HB1675	HB16600	LC1000	RD5-8637-0
BA1345	BD10150	HB1690	HA19100	LC1005	RD5-8637-0
BA1480	BA13900	HC1000	HC10500	LC1015	KA1040
BB1440	BB13900	HC1015	HC14000	LC1025	RD5-8637-0
BC1020	BC10150	HC1020	HC13000	LC1040	RD5-8637-0
BD1010	BD10150	HC1060	HC10500	LC1085	RD5-8637-0
BD1025	BD10350	HC1160	HD10200	LC1090	RD5-8637-0
BD1050	BD10550	HC1200	HC16200	LC2115	KA1525
BD1065	BD13400	HC1285	HC12800	LE1260	4664SAN
BD1090	BD11050	HC1340	HC10250	LE1265	4271SAN
BD1285	BD10400	HC1545	HC13850	LJ1015	VH11050
BD1295	BD14050	HD1010	HD10150	LM1070	LM11350
BD1330	BD10150	HD1030	HD11350	LM1075	LM11400
BD1410	BD15500	JA1100	JA11050	LM1080	LM11450
BD1460	BD10150	JA1120	JA11300	LM1085	LM11500
BE1020	BE10000	JA1125	JA11300	LM1095	LM11600
BE1030	BA13250	JA1160	JA11650	LM1155	LM11500
CA1015	CA10350	JA1185	JA20250	MA1090	MA10100
CD1040	BD10150	JA1200	JA1755	MA1210	MA14850
DB1060	DA10300	JA1210	JA17400	MA1215	MA14650
		JA1225	JA17550	MA1265	BA13550
		JA1235	JA13000	MA1470	MA13550
		JA1310	JA13050	MA1490	MA12350

OEM PART No.	TRP® Part No.
MA1675	MA16900
MC1230	MC12350
MD1020	GE10200
ME1045	VH11050
PD1005	HE12200
RA1000	HA18050
RD5-9169-0	AB34450
UB1005	FD10000
UC1215	UC12950
UC1290	UC12950
UD1125	AA11900
UE1020	FC10550
UE1095	UE11000
VA1060	VA11700
VA1105	VA11650
VC2010	VC20050
VH1170	VH11450
VH1175	VH11450
VH1240	VH10950
VH1255	VH10650

DEALPRO

Table 13-651: DEALPRO X-REF

OEM PART No.	TRP® Part No.
DPA1012	HC10500
DPA1023	RD5-8637-0
DPA1156	MA10200
DPA1159	JA11300
DPA1163	JA17400
DPA1164	JA17400
DPA1208	HB10500
DPA1224	HC12800
DPA1262	JA11350

OEM PART No.	TRP® Part No.
DPA1269	BA10800
DPA1270	BA12050
DPA1271	BE10050
DPA1279	BC10000
DPA1402	EA10650
DPA1551	HA10700
DPA1744	JA12750
DPA1768	BA10300
DPA3001	LM11450
DPA3003	LM11400
DPA3046	UE11000

DELCO

Table 13-652: DELCO X-REF

OEM PART No.	TRP® Part No.
15-122	JA10450
15-1258	JA10300
15-1303	JA13250
15-193	BB10000
15-194	JA11300
15-29	RD5-8637-0
15-3101	AC10650
15-3102	AC10900
15-3103	AC11100
15-3202	AA10650
15-3205	D1037-3074
15-3243	AB20900
15-3320	VH11050
15-3332	AA11400
15-3334	AA11450
15-3336	GA11900

EATON

Table 13-653: EATON X-REF

OEM PART No.	TRP® Part No.
329-410	EA10650
329-418	EA13150
329-431	EA10750
329-444	EA10800
329-477	EA14200
712-035	JA10700
712-035	JA11050
712-079	JA13000
712-244	JA10900
712-245	JA11700
712-245	JA11750
712-245	JA11800
712-264	JA10900
712-578	JA10850
712-578	JA11100
712-809	JA19600
712-821	JA11300
826-007	EA13900
826-030	EA10050
826-059	EA10300
826-062	EA10200
826-076	EA12300
929-439	EA13050
929-461	EA14150

EUCLID

Table 13-654: EUCLID X-REF

OEM PART No.	TRP® Part No.
E-080926	VH13050
E-801113	LE1000

OEM PART No.	TRP® Part No.	OEM PART No.	TRP® Part No.	OEM PART No.	TRP® Part No.
E-801163	4664SAN	E-803032	HA11550	E-804034	JA17550
E-801501	RD5-8637-0	E-803033	HA15200	E-804035	JA20250
E-801508	KA1040	E-803037	HA19950	E-804044	JA17400
E-801509	RD5-8637-0	E-803043	HB10700	E-804048	JA19800
E-801912	UN10250	E-803045	HA11550	E-804053	GD11350
E-802159	KA12000	E-803053	HA23400	E-804054	JA18850
E-802254	KA10550	E-803101	HA19900	E-804055	JA20200
E-802256	KA10250	E-803109	HA19100	E-804065	JA11100
E-802500	KA10350	E-803122	HA18700	E-804066	JA10700
E-802501	KA13950	E-803125	HB1570	E-804070	JA18950
E-802507	4271SAN	E-803127	HB10500	E-804084	JA10850
E-802508	KA10450	E-803128	HA18300	E-804093	JA11050
E-802511	KA10100	E-803129	HA18350	E-804095	JA10450
E-802516	KA14600	E-803129	HA19900	E-804095	JA20000
E-802520	KA10850	E-803465	HD10150	E-804097	JA13000
E-802524	KA11400	E-803469	HD10200	E-804098	JA10900
E-802526	KA11900	E-803803	HC11050	E-804100	JA11300
E-802528	KA10200	E-803809	HC13050	E-804101	JA11700
E-802530	KA10400	E-803810	HC13850	E-804102	JA11750
E-802542	KC10100	E-803817	HC11350	E-804104	JA17400
E-802543	KA10950	E-803820	HC10500	E-804108	JA1755
E-802557	KA14800	E-803822	HC13000	E-804108	JA17550
E-802558	KA14850	E-803824	HC12800	E-804112	JA20550
E-802561	KA14900	E-803825	HC16300	E-804118	JA18700
E-802594	KA10400	E-803826	HC14000	E-804118	JA20550
E-802594	KA10400	E-803834	HC10900	E-804123	JA17950
E-802596	KA15250	E-804003	JA20150	E-804125	JA19800
E-802597	KA15350	E-804006	JA10450	E-804134	JA11800
E-802598	KA14050	E-804019	JA11650	E-804135	JA17950
E-803002	HA10700	E-804020	JA13250	E-804136	JA19600
E-803008	HA15950	E-804021	JA13000	E-804136	JA19600
E-803012	HB11550	E-804023	JA13050	E-804150	BE10050
E-803025	HA10600	E-804025	JA12700	E-804151	JA18500
E-803027	HA15750	E-804026	JA11350	E-804521	JC21500
E-803028	HA17100	E-804030	JA17900	E-804575	JC10800
E-803031	HA11250	E-804033	JA12750	E-804901	UC10100

OEM PART No.	TRP® Part No.	OEM PART No.	TRP® Part No.	OEM PART No.	TRP® Part No.
E-804910	UC10150	E-807003	BD13400	E-807251	BA12400
E-805004	EA13900	E-807006	BD10350	E-807252	BC10000
E-805012	EA10050	E-807008	BD10150	E-807253	BC10050
E-805015	EA10300	E-807016	BD11050	E-807253	BC10050
E-805016	EA10200	E-807017	BD14200	E-807254	BA12650
E-805021	EA10150	E-807018	BD10550	E-807300	BA12500
E-805021	EA13000	E-807019	BD14050	E-807301	BB14300
E-805021	EA14100	E-807021	BD14250	E-807303	BB14150
E-805023	EA12300	E-807028	BD10400	E-807319	BD10400
E-805025	EA10650	E-807034	BD10800	E-807326	BB11050
E-805026	EA10750	E-807035	BD13350	E-807330	BB11100
E-805027	EA10900	E-807038	BD10750	E-807336	BB10250
E-805029	329-456P	E-807100	BA12050	E-807336	BB10750
E-805030	EA14300	E-807101	BA10650	E-807338	BB14250
E-805031	EA10650	E-807103	HG10600	E-807339	BB14000
E-805044	CD10000	E-807104	BA14150	E-807347	BB10000
E-805046	EA12850	E-807105	BA14100	E-807350	BB11200
E-805047	EC10100	E-807106	BA13900	E-807351	BB10050
E-805048	EC10300	E-807107	BA14250	E-807355	BB13900
E-805049	EC10200	E-807109	BA10050	E-807356	BB10500
E-805050	EC10150	E-807111	BE10000	E-807357	BA11400
E-805051	EC10250	E-807115	BE10250	E-807366	BA12550
E-805055	EA13050	E-807115	BA13050	E-807503	CB10900
E-806002	MA12800	E-807115	BA13250	E-807509	CB10800
E-806005	MA14650	E-807119	BA10300	E-807517	CB10050
E-806006	MA14850	E-807120	BA10050	E-807528	CB11000
E-806010	MA12350	E-807121	BA14550	E-807530	CB10750
E-806011	MA11400	E-807123	BA11800	E-807533	CB10050
E-806011	MA11400	E-807124	BA10400	E-807602	CA10200
E-806016	MA13500	E-807125	BA11450	E-807603	CA10950
E-806028	MA10650	E-807200	BB14550	E-807607	CA10350
E-806029	MA12750	E-807200M-10	BB14600	E-807609	CA10000
E-806033	MA13550	E-807201	BC10150	E-807982	BA12450
E-806062	MA10200	E-807202	BC10100	E-807984	FD10250
E-806063	MA10500	E-807250	FA13700	E-807984	FD10750
E-807001	BD14300	E-807251	BA12400	E-807996	BA10800

OEM PART No.	TRP® Part No.	OEM PART No.	TRP® Part No.	OEM PART No.	TRP® Part No.
E-808007-10	AB21450	E-808920	VH11550	E-809664	AC12250
E-808007-8	AE10400	E-808921	VH11650	E-809665	AC12300
E-808010	AB33300	E-808922	VH11450	E-809666	AC12350
E-808011	AB20900	E-808923	VH11150	E-809668	AC12450
E-808017-10	AB31300	E-808924	VH11200	E-809669	AC12500
E-808017-8	AB31250	E-808925	VH11300	E-809670	AC12550
E-808019-10	P137957	E-808925	VH10850	E-809672	AC11750
E-808024-10	AB31500	E-808928	VH11050	E-809673	AC10650
E-808024-8	AB31450	E-808929	VH11100	E-809689	AC12150
E-808025-10	AB31600	E-808930	VH11000	E-809724	AC12950
E-808025-8	AB31550	E-808931	VH10950	E-809725	AC13000
E-808027-10	AB31350	E-808932	VH10900	E-809726	AC13050
E-808027-8	LA12650	E-808934	VH10600	E-809727	AC13100
E-808028-10	LA12700	E-808935	VH10550	E-809729	AC12850
E-808028-10?	AB31400	E-808936	AE10000	E-810061	PA11600
E-808028-8	LA12650	E-808941	VH12000	E-810148	PA12050
E-808035-10	AB31900	E-808943	VH12650	E-811033	NA12750
E-808035-8	AB31850	E-808947	UE11100	E-811041	NA10500
E-808036-10	AB32000	E-808952	VH10800	E-811056	NA10150
E-808036-8	AB31950	E-808957	VH11050	E-811059	NA10200
E-808038-10	AB32100	E-809115	AB34300	E-811082	NA10250
E-808038-12	AB32150	E-809601	VH10250	E-811085	NA11100
E-808038-8	AB32050	E-809611	VH12300	E-811090	NB10250
E-808039-10	AB32250	E-809650	AC11700	E-811091	NA11450
E-808039-8	AB32200	E-809652	AC11800	E-811093	NA11700
E-808041-10	AB32350	E-809653	AC10650	E-811096	NA10950
E-808041-8	AB32300	E-809654	AC11850	E-811097	NA12300
E-808210-10	AB23100	E-809655	AC10900	E-811098	NC10000
E-808212-10	AB23300	E-809656	AC11900	E-811099	NA11900
E-808444-10	AB33250	E-809657	AC11100	E-811100	NA11950
E-808444-8	AB33200	E-809658	AC11950	E-811104	NA10400
E-808445-10	AB34050	E-809659	AC11150	E-812006	MC14550
E-808445-8	AB34000	E-809660	AC12000	E-812027	MC15300
E-808906	VH10750	E-809661	AC12050	E-812029	MC15750
E-808913	VH11800	E-809662	AC12100	E-812033	MC13500
E-808919	VH11500	E-809663	AC12200	E-812034	MC13450

OEM PART No.	TRP® Part No.	OEM PART No.	TRP® Part No.	OEM PART No.	TRP® Part No.
E-812082	MC13600	AM80815	BC10050	AM87011	PB10300
E-813001	UE11000	AM80815	BC10050	AM89801	EA10050
E-813070	VA10750	AM80819	BA12450	AM89803	EA10200
E-813080	UC12950	AM80822	CD10000	AM89804	EA10650
E-814024	LM11500	AM81000	BD14200	HV27437	BA10650
E-814025	LM11450	AM81002	BD10150	HV30615	HF15300
E-814029	LM11350	AM81003	BD10350	HV31147	JA11650
E-814033	LM10150	AM81004	BD10550	HV33061	BD11050
E-814034	LM10300	AM81005	BD14300	HV80010	KA10850
E-814035	VA11700	AM81006	BD10150	HV80020	KA11900
E-814037	LM11400	AM81011	BD10750	HV86524	HB11550
E-814100	VC20000	AM81017	BD14250		
E-814104	VC20050	AM81800	BB10000		
E-814105	VC20050	AM82206	JA10450		
E-819150	PA12750	AM82209	JA11300		

EVANS

Table 13-655: EVANS X-REF

OEM PART No.	TRP® Part No.
AM80004	KA11400
AM80021	KC10100
AM80119	KA10400
AM80119	KA10400
AM80132	KA10350
AM80411	AB20900
AM80420	RD5-8637-0
AM80435	LA12700
AM80445	LA12650
AM80800	HG10600
AM80803	BA11400
AM80805	BB11100
AM80806	BC10000

AM82212	JA10850
AM82216	JA13250
AM83501	HC10900
AM83502	HC13050
AM84031	HC13500
AM84400	AE10450
AM84415	AC10650
AM84416	AC10900
AM84417	AC11100
AM84418	AC11150
AM86000	AA10650
AM86011	AA11400
AM86012	AA11450
AM86014	GA11900
AM86015	AA11500
AM86397	HA15750
AM86500	HA11550
AM86502	HA10700
AM86507	HA10600
AM86553	HA15950
AM87007	PB10550

EVERCO

Table 13-656: EVERCO X-REF

OEM PART No.	TRP® Part No.
900302	HA10700
900309	HA15950
900314	HB11550
900335	HA17100
900350	HB10500
900354	HB10700
900501	HC10900
900506	HC11050
900513	HC13050
900516	HC13500
902582	AB31250
902583	AB31300
902602	AB20900
902617	LA12300
902618	AB31500
902621	AB31450
902622	LA12500

OEM PART No.	TRP® Part No.	OEM PART No.	TRP® Part No.	OEM PART No.	TRP® Part No.
902635	LA12650	921910	AE10400	925714	BC10050
904212	KA12000	921912	AB21450	925715	FA13700
904236	KA10400	922003	UC10100	925716	BC10000
904312	KC10100	922005	UC10150	925717	BA12400
904316	KA10400	923030	CB10050	925717	BA12400
904346	KA10950	923406	AC10650	925722	BA11400
904354	KA10450	923408	AC10900	925727	BB11050
904364	KA10850	923410	AC11100	925728	BB11200
904364	KA11400	923412	AC11150	929040	VH11050
904368	KA11900	924500	CD10000	929642	LM10150
904372	KA10100	924600	BA12450	929692	UE11000
904408	KA10400	925450	BA12150	929760	BD15500
904412	KA10350	925451	BA12550	929770	LM10300
909203	EA10300	925515	BA13250	980200	HC12800
909207	EA10150	925520	BA10650	980203	HC14000
909212	EA10050	925525	BA12600	980708	RD5-8637-0
909230	EA10200	925530	BA12050	980900	HE11200
909404	EA10650	925550	BD10400	983352	AA11400
909405	EA10900	925566	CA10000	983355	AA11450
909600	EC10100	925602	BD14300	983357	GA11900
914514	MA12800	925608	BD14250	983359	AA11500
914546	MA11400	925610	BD10350	983522	UC11200
914626	MA10650	925612	HG10600	990000	PB10550
914627	MA12750	925614	BD10350	990011	PB10300
914900	MA10200	925618	BD10150	990053	PA12000
914901	MA10500	925620	BD10150		
920001	JA10450	925625	BD11050		
920005	JA10850	925628	BD10750		
920021	JA10900	925634	BD14200		
920021	JA10900	925635	BD10550		
920053	JA11650	925640	BD14050		
920060	JA13250	925700	BB11100		
920060	JA19600	925707	BB10750		
920073	JA12700	925712	BB10000		
920090	JA13050	925713	BA12650		
921206	AA10650	925714	BC10050		

Fasco

Table 13-657: FASCO X-REF

OEM PART No.	TRP® Part No.
2807-508-065	HA22000
2807-513-074	HA15950
2807-513-101	HA22050

OEM PART No.	TRP® Part No.	OEM PART No.	TRP® Part No.	OEM PART No.	TRP® Part No.
2807-513-107	HA22100	C5AZ-18504-B	HC10900	E3TZ-18504-A	HC12800
2808-508-034	HA22200	C5UZ-2884-A	KA10350	E4HZ-19959-A	JA20550
2809-540-002	HA10700	C60Z-19618-A	BD10750	E5HZ-19959-A	JA17950
2809-540-039	HA11250	C7AZ-19618-A	BD14050	E69Z-19D990-A	EC10100
2809-540-058	HA10600	C7AZ-19805-B	HB11550	E69Z-19D990-A	EC10150
2809-540-061	HA18250	C7AZ-2884-B	KA10400	E7TZ-18476-A	MC14550
2809-541-009	HB10500	C7AZ-2884-B	KA10400	E7TZ-19712-A	PB13900
2809-541-027	HB10600	C80Z-19849-A	EA10650	E8HZ-19959-A	JA20000
2809-541-130	HA23400	C8SZ-18A435	AA11450	E8TZ-19D990-A	EC10250
2809-541-154	HB16700	C8TZ-19618-A	BD14200	E8UZ-19D990-A	EC10250
2809-551-039	HB10850	C8ZZ-19805-B	HB10500	E9HZ-19805-A	HB16250
2809-841-008	HB10700	C9AZ-19805-B	HB10500	EOVY-19D990-A	EC10200
2809-841-021	HA23650	D0AZ-18504-A	HC11050	F1HZ-19C836-C	JC21500
2809-841-029	HA18700	D0HZ-19618-A	BD14200	F2DZ-19D990-A	EC10250
2819-530-016	HA17100	D0TZ-18476-B	MC15200	F3XY-19D990-A	EC10200
2819-552-001	HA11550	D1RY-19986-A	BA10650	F4HT-19D629-CA	LE4603
2898-091-018	HA21700	D3DZ-19681-A	BD11050	F4HZ-19703-F	LE4603
2899-006-051	HD10150	D3HZ-19959-A	JA11650	F4HZ-19712-A	PB13000
		D3HZ-9A675-A	GA11900	F4HZ-19C836-A	JC21450
		D3NN-19618-A	BD10350	F4TZ-19C836-A	JC21300
		D3TZ-19926-B	AA11500	F54Z-19D990-AB	EC10150
		D4ZZ-19618-B	BD10150	F6HT-19710-BA	PB13050
		D6AZ-19618-A	BA12450	F6HZ-19C836-A	JC21550
		D7HT-14806-AB	BA16000	FDA-18495A	MA15050
		D8HZ-14806-A	BB14000		
		D8HZ-19959-B	JA19800		
		D8TZ-19618-A	BD14250		
		D9HZ-18527-A	HA10700		
		E0TZ-18476-C	MC14550		
		E0TZ-19805-B	HA10600		
		E1FZ-19D990-A	EC10200		
		E1HZ-19712-A	PB14600		
		E1HZ-19849-A	EA10650		
		E1HZ-19959-C	JA20650		
		E2TZ-18257-A	HA22000		
		E3TZ-18476-G	MC14550		

FORD

Table 13-658: Ford X-REF

OEM PART No.	TRP® Part No.	OEM PART No.	TRP® Part No.
B7A-18527-B	HA15950	D8TZ-19618-A	BD14250
B8T-18504-B	HC13050	D9HZ-18527-A	HA10700
C3AZ-19805-B	HB10500	E0TZ-18476-C	MC14550
C3UZ-18495-A	MA15950	E0TZ-19805-B	HA10600
C3UZ-18495-A	MA10650	E1FZ-19D990-A	EC10200
C3UZ-18495-B	MA12750	E1HZ-19712-A	PB14600
C4AZ-19805-A	HB10500	E1HZ-19849-A	EA10650
C4TZ-2884-B	KA11400	E1HZ-19959-C	JA20650
C4VZ-18527-A	HA15750	E2TZ-18257-A	HA22000
C5AZ-18495-B	MA10650	E3TZ-18476-G	MC14550

FOUR SEASONS

Table 13-659: Four Seasons X-REF

OEM PART No.	TRP® Part No.
10106	AB22200
10108	AB22250
10406	AB23000
10408	AB23050

OEM PART No.	TRP® Part No.	OEM PART No.	TRP® Part No.	OEM PART No.	TRP® Part No.
10410	AB23100	33209	JC11950	35775	CB10900
10412	AB23150	33219	JC21000	35795	CB13200
10606	RD5-12043-0P	33280	JC21150	35825	BB10750
10608	AB23250	33300	JA20650	35845	BD10150
10610	AB23300	33319	JA11650	35846	BD14050
12718	AB31250	33321	JC21200	35847	BD14200
12720	AB31300	33323	JA13250	35857	BD14250
12730	P137957	33381	JA20550	35888	CA10000
12778	LA12300	33466	JA17950	35890	BA12450
12780	AB31500	33530	JA20250	35895	CB13250
14718	AB32200	33533	JA17400	35896	BA11400
14720	AB32250	33537	JA11350	35899	BC10050
14728	AB31950	34299	JA17950	35899	BC10050
14730	AB32000	35334	HA19100	35900	FA13700
16746	AE10450	35386	HB10500	35901	BA12650
16748	AE10400	35423	HA23400	35928	CB13150
16749	AB21450	35434	HA11550	35972	BA15500
16836	UC10250	35500	HA17100	36659	BB13750
24117	AC12850	35501	HB11550	38621	EC10200
24504	AC11700	35523	HA15950	38622	EA10300
24506	AC10650	35529	HC10500	38623	EC10100
24508	AC10900	35541	HA11250	38635	EC10150
24510	AC11100	35542	HA11550	38638	EC10300
24512	AC11150	35546	HB10850	38639	EC10250
24526	AC12050	35576	HA15750	38729	EA10150
24528	AC12100	35577	HA10700	38878	EA10650
24542	AC12200	35601	HC16300	38879	EA10900
24606	AC11800	35603	HC16400	38910	CD10000
24610	AC11950	35701	BA11450	38990	EA12850
24612	AC12000	35702	BA10650	47531	KA10400
33049	JC21550	35715	BD10350	47531	KA13950
33068	JC21450	35716	BA12050	47869	KA16750
33091	JC21300	35751	BB11050	47873	KA10200
33135	JC21600	35758	BB10000	47876	KA16800
33179	JC21850	35767	CB10100	47881	KA16850
33180	JC21800	35770	CB11000	47931	KA10950

OEM PART No.	TRP® Part No.
47968	KA10450
47979	KA10350
47979	KA10400
47994	KA10100
55044	AA11400
55046	AA11450
55050	AA11500
57056	RD5-8637-0
57061	LE4815
59010	UE11000
59100	VG10850
59212	RD5-11118-0P
59569	BD15500
59622	VH11650
59973	VH10750
59980	VH10150
65125	HE11200
74627	MA15950
74628	MA10650
74678	MA15850
84706	MA12800
94578	MC15200
94582	MC14550
94618	MC14800
94721	MC15750
94722	MC15300
94726	MC13600

FREIGHTLINER ALLIANCE

Table 13-660: FREIGHTLINER ALLIANCE X-REF

OEM PART No.	TRP® Part No.
ABP N83 301001	HA10700
ABP N83 301011	HA16050
ABP N83 301012	HB13950
ABP N83 301015	HA19900
ABP N83 301017	HA18700
ABP N83 301022	HA17100
ABP N83 301027	HA11250
ABP N83 301041	HA23400
ABP N83 301042	HB10300
ABP N83 301051	HA15950
ABP N83 301052	HB11200
ABP N83 301062	HB10600
ABP N83 301065	HA18350
ABP N83 301072	HB10500
ABP N83 301082	HB10850
ABP N83 301092	HA19950
ABP N83 301111	HA23400
ABP N83 301137	HA21550
ABP N83 301162	HB11550
ABP N83 301182	HB10550
ABP N83 301202	HB16100
ABP N83 301212	HB16500
ABP N83 301222	HB15700
ABP N83 301232	HB10700
ABP N83 301271	HA11550
ABP N83 301282	HB10400
ABP N83 301292	HB16700
ABP N83 301299	HA19100
ABP N83 301302	HB1570
ABP N83 301307	HA18700
ABP N83 301322	HB16250
ABP N83 301339	FC10550
ABP N83 301349	FC10150

OEM PART No.	TRP® Part No.
ABP N83 301359	FC10450
ABP N83 301362	HB16600
ABP N83 301389	RD10600
ABP N83 301461	HA18250
ABP N83 301527	HA21700
ABP N83 301541	HA15200
ABP N83 301581	HA18300
ABP N83 301601	HA19500
ABP N83 301621	HA15750
ABP N83 301641	HA19550
ABP N83 301651	HA19600
ABP N83 301761	HA10600
ABP N83 301871	HA18050
ABP N83 301881	HA19700
ABP N83 302001	HC13850
ABP N83 302002	HC13000
ABP N83 302011	HC13950
ABP N83 302021	HC10250
ABP N83 302032	HC13500
ABP N83 302041	HC14000
ABP N83 302042	HC10500
ABP N83 302051	HC13450
ABP N83 302052	HC10500
ABP N83 302061	HC13250
ABP N83 302062	HC13550
ABP N83 302071	HC13850
ABP N83 302072	HC13600
ABP N83 302081	HC12800
ABP N83 302101	HF15300
ABP N83 302111	HC16200
ABP N83 302112	HC10050
ABP N83 302121	HC11050
ABP N83 302122	HC11700
ABP N83 302161	HC14300
ABP N83 302181	HC14050
ABP N83 302191	HC10850

OEM PART No.	TRP® Part No.	OEM PART No.	TRP® Part No.	OEM PART No.	TRP® Part No.
ABP N83 302201	HC10950	ABP N83 304101	KA1040	ABP N83 305320	AB32200
ABP N83 302211	HC14700	ABP N83 304122	4271SAN	ABP N83 305325	AB32250
ABP N83 302221	HC14750	ABP N83 304141	KA1525	ABP N83 305330	AB32300
ABP N83 302222	HC10500	ABP N83 304201	KA1405	ABP N83 305335	AB32350
ABP N83 303002	KA10400	ABP N83 304322	LE1000	ABP N83 305345	AB33950
ABP N83 303007	KA14800	ABP N83 304462	LE1000	ABP N83 305350	AB32900
ABP N83 303011	KA10450	ABP N83 304732	LE4603	ABP N83 305355	AB32950
ABP N83 303017	KA14850	ABP N83 305015	HE11200	ABP N83 305365	AB33050
ABP N83 303021	KA10100	ABP N83 305020	HE11850	ABP N83 305370	AB34000
ABP N83 303022	KA13950	ABP N83 305045	UC11200	ABP N83 305375	AB34050
ABP N83 303051	KA10950	ABP N83 305050	VH11650	ABP N83 305380	AB33200
ABP N83 303063	KA15250	ABP N83 305065	LA12700	ABP N83 305385	AB33250
ABP N83 303071	KA10850	ABP N83 305075	LA12650	ABP N83 305390	AB20900
ABP N83 303082	KA10400	ABP N83 305095	AB3150	ABP N83 305395	AB33300
ABP N83 303102	KA10350	ABP N83 305105	AB3145	ABP N83 306000	PB11200
ABP N83 303103	KA15350	ABP N83 305190	LA12300	ABP N83 306005	PA12050
ABP N83 303107	KA14100	ABP N83 305195	LA12500	ABP N83 306015	PB10900
ABP N83 303111	KA11400	ABP N83 305215	AB31150	ABP N83 306025	PB10850
ABP N83 303113	KA14000	ABP N83 305220	AB31200	ABP N83 306030	PA11500
ABP N83 303123	KA14050	ABP N83 305225	AB31250	ABP N83 306035	PA11850
ABP N83 303127	KA15350	ABP N83 305230	AB31300	ABP N83 306055	PB11050
ABP N83 303131	KA11900	ABP N83 305235	AB31350	ABP N83 306075	PB10750
ABP N83 303151	KA10200	ABP N83 305240	AB31400	ABP N83 306080	PA10050
ABP N83 303202	KA10250	ABP N83 305245	AB31450	ABP N83 306110	PA11950
ABP N83 303211	KC10100	ABP N83 305250	AB31500	ABP N83 306130	PB10450
ABP N83 303221	KA14600	ABP N83 305255	AB31550	ABP N83 306135	PB10500
ABP N83 303251	KA10800	ABP N83 305260	AB31600	ABP N83 306170	PB12650
ABP N83 303252	KA13950	ABP N83 305265	AB31650	ABP N83 306190	PA15600
ABP N83 303261	KA10550	ABP N83 305270	AB31700	ABP N83 306225	PB10700
ABP N83 303281	KA14900	ABP N83 305285	AB31850	ABP N83 306235	PA14450
ABP N83 303491	KA12000	ABP N83 305290	AB31900	ABP N83 306235	PB10550
ABP N83 304025	103-55011	ABP N83 305295	AB31950	ABP N83 306240	PA14500
ABP N83 304052	4664SAN	ABP N83 305300	AB32000	ABP N83 306240	PB10300
ABP N83 304081	RD5-8637-0	ABP N83 305305	AB32050	ABP N83 306250	PA11900
ABP N83 304091	KA1095	ABP N83 305310	AB32100	ABP N83 306255	PA12000
ABP N83 304092	LE1000	ABP N83 305315	AB32150	ABP N83 306270	PB10250

OEM PART No.	TRP® Part No.	OEM PART No.	TRP® Part No.	OEM PART No.	TRP® Part No.
ABP N83 306275	PA15650	ABP N83 307390	NA12800	ABP N83 308906	EA14400
ABP N83 306280	PA15700	ABP N83 307395	NA12750	ABP N83 309009	329-456P
ABP N83 306285	PA10300	ABP N83 307400	NA12900	ABP N83 309011	HD11450
ABP N83 306290	PA12750	ABP N83 307405	NA10250	ABP N83 309041	HD11500
ABP N83 307025	NB10600	ABP N83 307410	NA12950	ABP N83 309081	HD10150
ABP N83 307035	NB10350	ABP N83 307425	NA10450	ABP N83 309101	HC10900
ABP N83 307045	NB10050	ABP N83 307430	NA10600	ABP N83 309111	HD10150
ABP N83 307060	NA12000	ABP N83 307445	NA11500	ABP N83 309121	HC13100
ABP N83 307065	NB10300	ABP N83 307455	NC10100	ABP N83 309151	HC13350
ABP N83 307080	NA14750	ABP N83 307720	MC16550	ABP N83 309191	HC10700
ABP N83 307090	NA11950	ABP N83 308001	EA10900	ABP N83 309201	HC10800
ABP N83 307095	NB10450	ABP N83 308005	EA13000	ABP N83 309231	HC15900
ABP N83 307110	NA10400	ABP N83 308007	EC10100	ABP N83 309241	HC15950
ABP N83 307150	NA11350	ABP N83 308011	EA10650	ABP N83 309251	HC16000
ABP N83 307160	NA11700	ABP N83 308015	EA10050	ABP N83 309261	HD10900
ABP N83 307185	NA11800	ABP N83 308017	EC10150	ABP N83 310000	P137957
ABP N83 307195	NA11900	ABP N83 308021	EA13050	ABP N83 310276	AE10300
ABP N83 307200	NA10950	ABP N83 308025	EA10300	ABP N83 311030	AB23300
ABP N83 307210	NA11100	ABP N83 308037	EC10300	ABP N83 311066	AB22200
ABP N83 307215	NA12300	ABP N83 308041	329-456P	ABP N83 311072	AB23350
ABP N83 307225	NB10650	ABP N83 308045	EA10150	ABP N83 311088	AB22250
ABP N83 307230	NA11450	ABP N83 308065	EA10550	ABP N83 311130	AB23100
ABP N83 307240	NB10250	ABP N83 308069	CD10000	ABP N83 311132	AB23150
ABP N83 307285	NA13050	ABP N83 308071	EA10750	ABP N83 311218	AB23250
ABP N83 307290	NA12850	ABP N83 308075	EA12300	ABP N83 311226	RD5-12043-0P
ABP N83 307295	NA12700	ABP N83 308081	EA12550	ABP N83 311231	UC10150
ABP N83 307300	NA10900	ABP N83 308085	EA10200	ABP N83 311261	UC10100
ABP N83 307305	NA12650	ABP N83 308101	EA13150	ABP N83 311271	UC10250
ABP N83 307310	NA13000	ABP N83 308105	EA14100	ABP N83 311286	AB23000
ABP N83 307315	NC10000	ABP N83 308111	EA13100	ABP N83 311288	AB23050
ABP N83 307320	NA10750	ABP N83 308211	329-456P	ABP N83 311618	AB30200
ABP N83 307325	NA10150	ABP N83 308219	MA14450	ABP N83 312000	AC12150
ABP N83 307335	NA10200	ABP N83 308349	EA14100	ABP N83 312005	AC12250
ABP N83 307375	NA10300	ABP N83 308359	EA13900	ABP N83 312006	AC12300
ABP N83 307380	NA10050	ABP N83 308379	CD10000	ABP N83 312008	AC12100
ABP N83 307385	NA10500	ABP N83 308389	CD10250	ABP N83 312010	AC11100

OEM PART No.	TRP® Part No.	OEM PART No.	TRP® Part No.	OEM PART No.	TRP® Part No.
ABP N83 312015	AC11700	ABP N83 314110	VH11250	ABP N83 315125	MC11950
ABP N83 312016	AC11750	ABP N83 314120	VH11300	ABP N83 315140	MC12550
ABP N83 312018	AC10900	ABP N83 314125	AE10450	ABP N83 315170	MC10250
ABP N83 312022	AC12200	ABP N83 314130	VH10950	ABP N83 315180	MC12550
ABP N83 312026	AC12050	ABP N83 314140	VH11000	ABP N83 315205	MC10650
ABP N83 312030	AC12450	ABP N83 314150	VH10900	ABP N83 315210	MC12200
ABP N83 312032	AC11150	ABP N83 314160	VH11050	ABP N83 315215	MC12350
ABP N83 312036	AC10650	ABP N83 314165	AE10400	ABP N83 315225	MC11600
ABP N83 312038	AC12550	ABP N83 314170	VH11100	ABP N83 315240	MC11800
ABP N83 312040	AC11950	ABP N83 314180	VH10800	ABP N83 315245	MC11000
ABP N83 312046	AC11850	ABP N83 314190	VH10850	ABP N83 315255	MC12400
ABP N83 312048	AC11900	ABP N83 314201	VH13050	ABP N83 315260	MC12450
ABP N83 312052	AC12000	ABP N83 314355	AB32400	ABP N83 315270	MC10600
ABP N83 312056	AC11800	ABP N83 314370	AB32550	ABP N83 315290	MC10900
ABP N83 312062	AC12500	ABP N83 314375	AB32600	ABP N83 315300	MC13750
ABP N83 312095	AC12350	ABP N83 314380	AB32650	ABP N83 315305	MC13500
ABP N83 312105	AC12400	ABP N83 314390	AB32750	ABP N83 315310	MC13450
ABP N83 312115	AC12850	ABP N83 314395	VH11650	ABP N83 315315	MC11350
ABP N83 313101	AA10650	ABP N83 314400	VH11800	ABP N83 315320	MC13400
ABP N83 313558	AA11400	ABP N83 314405	VH11850	ABP N83 315330	MC10450
ABP N83 313559	AA11450	ABP N83 314410	VH12200	ABP N83 315335	MC10300
ABP N83 313560	AA11500	ABP N83 314415	VH1110	ABP N83 315345	MC10200
ABP N83 313700	AA11800	ABP N83 314420	VH12350	ABP N83 315350	MC12150
ABP N83 313903	AA11200	ABP N83 314425	VH10950	ABP N83 315355	MC12400
ABP N83 313905	GA11900	ABP N83 314440	VH10650	ABP N83 315370	MC10100
ABP N83 313918	AA11100	ABP N83 314450	VH12650	ABP N83 315380	MC10550
ABP N83 314005	VH10300	ABP N83 315010	MC15900	ABP N83 315385	MC10050
ABP N83 314015	VH10350	ABP N83 315025	MC15800	ABP N83 315390	MC10850
ABP N83 314035	VH10450	ABP N83 315055	MC11750	ABP N83 315395	NB10450
ABP N83 314045	VH10600	ABP N83 315060	MC15850	ABP N83 315400	NB10300
ABP N83 314055	VH10650	ABP N83 315075	MC11900	ABP N83 315405	MC13600
ABP N83 314065	VH10550	ABP N83 315085	MC12650	ABP N83 315410	MC13550
ABP N83 314085	VH10750	ABP N83 315095	MC10950	ABP N83 315415	MC12350
ABP N83 314090	VH11500	ABP N83 315100	MC10150	ABP N83 315430	MC13650
ABP N83 314100	VH11550	ABP N83 315105	MC10500	ABP N83 315435	MC11200
ABP N83 314105	AE10000	ABP N83 315115	MC11450	ABP N83 315440	MC11300

OEM PART No.	TRP® Part No.	OEM PART No.	TRP® Part No.	OEM PART No.	TRP® Part No.
ABP N83 315445	MC11650	ABP N83 318014	BB10000	ABP N83 318169	BA12400
ABP N83 315910	MC16400	ABP N83 318019	BA12400	ABP N83 318179	BB14600
ABP N83 316010	GB10050	ABP N83 318024	BB10050	ABP N83 318209	BA16200
ABP N83 316025	FD11150	ABP N83 318029	BC10000	ABP N83 319000	JA11300
ABP N83 316035	FD10350	ABP N83 318033	DB10050	ABP N83 319008	HE11100
ABP N83 316050	FD10750	ABP N83 318034	BB11050	ABP N83 319010	JA10700
ABP N83 316055	FD10200	ABP N83 318039	BC10050	ABP N83 319028	GD11350
ABP N83 316065	FD10000	ABP N83 318040	BA12500	ABP N83 319029	JC10800
ABP N83 316080	FD10450	ABP N83 318043	DB10500	ABP N83 319044	JA11750
ABP N83 316085	FD10200	ABP N83 318044	BA16350	ABP N83 319048	JA18900
ABP N83 316100	FD11200	ABP N83 318049	BC10100	ABP N83 319058	JA18700
ABP N83 316105	FD11300	ABP N83 318050	BB11250	ABP N83 319064	JA11800
ABP N83 317001	GB12350	ABP N83 318053	DB10800	ABP N83 319068	JA18400
ABP N83 317011	GB11950	ABP N83 318059	BC10150	ABP N83 319070	JA20000
ABP N83 317012	GB12100	ABP N83 318060	BB10500	ABP N83 319074	JA11050
ABP N83 317013	GB10450	ABP N83 318063	DB10100	ABP N83 319084	JA17900
ABP N83 317014	GA12050	ABP N83 318073	DB10150	ABP N83 319100	JA10300
ABP N83 317016	GB12300	ABP N83 318080	BB10250	ABP N83 319110	JA13000
ABP N83 317017	GB10150	ABP N83 318083	DA10050	ABP N83 319144	JA10900
ABP N83 317018	GA12100	ABP N83 318084	BB10050	ABP N83 319154	JA11350
ABP N83 317019	GA11700	ABP N83 318089	BC10150	ABP N83 319160	JA19600
ABP N83 317020	GB10400	ABP N83 318090	BB14000	ABP N83 319164	JA13000
ABP N83 317021	GB11850	ABP N83 318093	DA1150	ABP N83 319168	JD10050
ABP N83 317022	GB11650	ABP N83 318094	BB11800	ABP N83 319170	JC21150
ABP N83 317024	GB10000	ABP N83 318100	BB14100	ABP N83 319174	JA13050
ABP N83 317025	GB10100	ABP N83 318109	BB14550	ABP N83 319178	JA13000
ABP N83 317026	GB12200	ABP N83 318110	BB14150	ABP N83 319194	JA11650
ABP N83 317029	GB12550	ABP N83 318114	BB13800	ABP N83 319198	JA17950
ABP N83 317030	GB12500	ABP N83 318129	FA13700	ABP N83 319218	JA18700
ABP N83 317032	GB12400	ABP N83 318130	BB14250	ABP N83 319220	JA18950
ABP N83 317033	GB10600	ABP N83 318134	BB14050	ABP N83 319224	JA10850
ABP N83 317035	GB10200	ABP N83 318140	BB14300	ABP N83 319228	JA17400
ABP N83 318000	BB13900	ABP N83 318149	BC10000	ABP N83 319234	JA11100
ABP N83 318009	BC10050	ABP N83 318150	BB14500	ABP N83 319238	JA1755
ABP N83 318010	BB10750	ABP N83 318154	BB11200	ABP N83 319244	JA11700
ABP N83 318013	BB10100	ABP N83 318163	DA11600	ABP N83 319250	JA17550

OEM PART No.	TRP® Part No.	OEM PART No.	TRP® Part No.	OEM PART No.	TRP® Part No.
ABP N83 319258	JA20500	ABP N83 320170	CB10100	ABP N83 322240	BA13200
ABP N83 319269	JC10800	ABP N83 320180	CB10750	ABP N83 322250	BB10850
ABP N83 319270	JA18500	ABP N83 320190	CB10050	ABP N83 322260	BB10800
ABP N83 319274	JA19800	ABP N83 320210	CB10900	ABP N83 322265	BA14250
ABP N83 319290	JA10450	ABP N83 320220	CB11000	ABP N83 322290	BA13900
ABP N83 319294	JA20250	ABP N83 320230	CB11150	ABP N83 322315	BA14950
ABP N83 319300	JA17550	ABP N83 320250	CB13300	ABP N83 322320	BA12950
ABP N83 319314	JA20550	ABP N83 321000	CA10350	ABP N83 322335	BA13150
ABP N83 319360	GD11350	ABP N83 321010	CA10950	ABP N83 322340	BE10000
ABP N83 319370	JA19600	ABP N83 321060	CA10000	ABP N83 322350	BE10250
ABP N83 319390	JA17400	ABP N83 321070	CA10200	ABP N83 322355	BE10050
ABP N83 319460	JA12700	ABP N83 321120	CA11050	ABP N83 322375	BA10300
ABP N83 319470	JA12750	ABP N83 321150	CA10950	ABP N83 322390	BA12450
ABP N83 319500	JA17950	ABP N83 322000	BA10050	ABP N83 322395	BA12250
ABP N83 319510	JA18850	ABP N83 322005	BA12050	ABP N83 322410	BB14000
ABP N83 319514	JA10850	ABP N83 322010	BA10800	ABP N83 322420	BB13750
ABP N83 319530	JA20150	ABP N83 322020	BA10800	ABP N83 322430	BA14550
ABP N83 319534	JA22150	ABP N83 322025	BA12600	ABP N83 322440	BA13500
ABP N83 319544	JA22150	ABP N83 322030	BA13250	ABP N83 322450	BA14100
ABP N83 319560	JA20800	ABP N83 322035	BE10000	ABP N83 322460	BA14150
ABP N83 319610	JA20200	ABP N83 322045	BA11400	ABP N83 322480	BA11800
ABP N83 319614	JA18850	ABP N83 322050	BA13050	ABP N83 322550	BA10600
ABP N83 319620	JA20000	ABP N83 322070	BA12200	ABP N83 322560	BA11000
ABP N83 319624	JA20200	ABP N83 322100	BA12550	ABP N83 323003	BD10550
ABP N83 319640	JA13250	ABP N83 322105	HG10600	ABP N83 323004	BD13350
ABP N83 319684	JA17900	ABP N83 322135	BA13900	ABP N83 323010	BD11050
ABP N83 319694	JA17550	ABP N83 322150	BA10650	ABP N83 323014	BD14200
ABP N83 319714	JA17400	ABP N83 322165	BA12350	ABP N83 323018	BA11450
ABP N83 319910	JA19600	ABP N83 322170	BE10100	ABP N83 323020	BD14300
ABP N83 319930	JA17550	ABP N83 322175	BA12650	ABP N83 323024	BD10550
ABP N83 320020	CB10800	ABP N83 322185	BA13250	ABP N83 323028	BD10400
ABP N83 320050	CC10150	ABP N83 322195	BA13550	ABP N83 323030	BD13550
ABP N83 320060	CC10200	ABP N83 322205	BA10400	ABP N83 323034	BD14250
ABP N83 320120	CB10250	ABP N83 322225	BA10350	ABP N83 323048	BD10150
ABP N83 320140	CB10050	ABP N83 322230	BA10500	ABP N83 323050	BD13550
ABP N83 320150	CB10700	ABP N83 322235	CB10650	ABP N83 323053	BD10800

OEM PART No.	TRP® Part No.	OEM PART No.	TRP® Part No.	OEM PART No.	TRP® Part No.
ABP N83 323058	BD10150	ABP N83 324290	MA14800	ABP N83 326004	LM11350
ABP N83 323060	BD13400	ABP N83 324305	MA14250	ABP N83 326005	LM11400
ABP N83 323064	BD14850	ABP N83 324400	MA10200	ABP N83 326006	LM11450
ABP N83 323068	BD10350	ABP N83 325004	UE11150	ABP N83 326011	VA11700
ABP N83 323070	BD10150	ABP N83 325010	VC20000	ABP N83 326016	AE10250
ABP N83 323078	BD10400	ABP N83 325012	VC20050	ABP N83 326022	LM10300
ABP N83 323080	BD14700	ABP N83 325013	VC20050	ABP N83 327085	AB34450
ABP N83 323088	BD14050	ABP N83 325015	VH10250	ABP N83 327105	BD15500
ABP N83 323100	BD14900	ABP N83 325016	VH10150	ABP N83 327305	RD5-11118-0P
ABP N83 323128	BD10050	ABP N83 325017	VH10200	ABP N83 327365	GD10200
ABP N83 323168	BA13950	ABP N83 325018	VH12300	ABP N83 328345	GD11450
ABP N83 323188	BD10150	ABP N83 325019	UE11100		
ABP N83 324005	MA12850	ABP N83 325020	VH11150		
ABP N83 324010	MA10600	ABP N83 325021	UE11000		
ABP N83 324020	MA12800	ABP N83 325030	VH11200		
ABP N83 324025	MA11400	ABP N83 325040	VH11400		
ABP N83 324030	MA12700	ABP N83 325047	KB10150		
ABP N83 324030	MA12050	ABP N83 325050	VH11450		
ABP N83 324050	MA12750	ABP N83 325060	VH10500		
ABP N83 324070	MA10450	ABP N83 325124	VD10350		
ABP N83 324080	MA11000	ABP N83 325128	HE11500		
ABP N83 324105	MA10500	ABP N83 325142	PA11600		
ABP N83 324110	MA10200	ABP N83 325145	TB10050		
ABP N83 324120	MA13400	ABP N83 325146	TB10100		
ABP N83 324140	MA13500	ABP N83 325148	AA11950		
ABP N83 324145	MA11100	ABP N83 325149	VG10850		
ABP N83 324150	MA13650	ABP N83 325152	TB10250		
ABP N83 324155	MA10000	ABP N83 325153	TB10300		
ABP N83 324170	MA10200	ABP N83 325154	VH11450		
ABP N83 324185	MA12050	ABP N83 325155	VH11450		
ABP N83 324215	MA10650	ABP N83 325156	EA12850		
ABP N83 324235	MA10400	ABP N83 325157	VH12000		
ABP N83 324245	MA13550	ABP N83 325159	VH11400		
ABP N83 324255	MA14650	ABP N83 325160	VH11450		
ABP N83 324265	MA13550	ABP N83 326002	LM11600		
ABP N83 324280	MA1655	ABP N83 326003	LM11500		

FREIGHTLINER OEM

Table 13-661: FREIGHTLINER OEM X-REF

OEM PART No.	TRP® Part No.
207012	AC11150
207068	BB10000
207338	EA10650
207583	CD10000
208995	HA10700
209101	HC12800
274224	KA10400
274234	KA11400
274247	KA11900
274264	KC10100
275152	HB10300
275152	HB10500
402568	JA11650
404073	EA10200
024-21590	KA10400
024-21942	KA10950
024-25114	KA14100

OEM PART No.	TRP® Part No.	OEM PART No.	TRP® Part No.	OEM PART No.	TRP® Part No.
024-25171	KA14850	680-830-03-70	PA15700	A22-41563-000	KA1405
024-25190	KA10400	681-830-00-84	EA10650	A22-43249-000	BB14600
024-25238	KA15250	71R2300	BD10350	A22-44463-001	MA1655
024-25241	KA15350	71R8300	EA10650	A22-45194-000	BA16100
024-25244	KA14000	8040279P	BA16150	A22-45194-001	BA15200
024-25247	KA14050	9533N178	BD10150	A22-45432-000	329-456P
02-7010151	EA10050	A06-11454-001	BA13250	A22-45432-001	EA14300
02-7010174	BD14200	A06-14889-001	BA14250	A22-7555	KA10400
03-1104978	KA10200	A22-011111-01	CB10050	BOA 94350/ BOA D8587	HA23850
0332-204-101	CB10050	A22-02364	BD11050	BOA-730004-02	NA12800
085108-00	BB10000	A22-10761	KA10100	BOA-80-319-00-159	GD11650
088282-00	JA17400	A22-11669	KA11400	BOA-80-321-00-079	EA10800
088293-00	JA17950	A22-11671-000	KA10450	BOA-80-321-00-229	EA14400
088335-00	JA18850	A22-14251-000	HA19950	BOA-80-373-00-109	MC15800
088336-00	JA20200	A22-14423-02	EA10300	BOA-80-373-00-209	MC16550
088446-00	JA22150	A22-14425-1	JA20000	BOA-80-375-00-589	NA14750
22-14434-1	PA14450	A22-14425-2	JA20000	BOA-80-377-00-249	MC16400
22-20576-001	GB13350	A22-14425-3	JA11300	BOA-80-415-00-789	HA21550
22-23372-000	FD12350	A22-14434-1	PA14450	BOA-80-618-00-009	DA1150
22-23640-000	BD11050	A22-14434-1	PB10550	BOA-80-618-00-069	DA11600
22-25255-000	PA10050	A22-15817-A	BD10350	BOA-80-908-00-219	BA10800
22-32466-001	PA15600	A22-18591-000	EA10650	BOA-80-926-00-059	BA13900
22-36474-000	BB14550	A22-18591-000	EA10750	BOA-80-926-00-079	CA10200
22-37199-000	JA17550	A22-19726-001	KA10250	BOA-80-926-00-129	BA13900
22-39302-001	PB12650	A22-22498-000	KA10350	BOA-80-928-01-029	BA13900
22-42084-002	PA15650	A22-22499	KA10850	BOA-80-946-00-109	BD10800
22-43249-000	BB14600	A22-23640-0	BD13400	BOA-85-200-71-009	MC15850
22-43941-000	PB13150	A22-28796-000	JA17900	BOA-85-430-71-009	MC15900
22-44270-001	FD12250	A22-30930-000	BA14950	BOA-85-430-99-109	MA1655
22-44665-000	GD11450	A22-30930-000	BB10500	BOA-85-440-50-009	HA18700
22-46891-000	GD11400	A22-32150	JA17550	BOA-85-462-50-009	HA21700
22-51296-000	BA16200	A22-32150-00	JA1755	BSM 756720	HD12400
23-11276-100	CB13400	A22-34675-000	JA17400	CFC ER210L- 25149S	RD5-8637-0
332639 OCC	KA13950	A22-36474-000	BB14550	CYP 721	GB12350
488-45011	103-55011	A22-37199-000	JA17550		
680-545-00-05	CB13300	A22-40223-000	GB13500		

OEM PART No.	TRP® Part No.
ER210L-25149	RD5-8637-0
ET210L-25073C	KA1040
ET210L-25237C	KA1525
ET210L-25246C	KA1405
FJK SP4071	BB14550
FSC 1749-1907	BA16050
I 91560	GE11500
INM 2G754A	BA13900
INM 2G754A	BA11450
INM 6G754A	BA10650
KYS 173119	MA14450
KYS 173144	MA14250
PH088184-00	JA17550
PH088281-00	JA17400
PH248107	JA20000
POTVF4 15F11	CB10800
POTVM2815F24S01	CB13350
R4190-0	HC13250
R4290-0	HC10250
RD1-0755-0	MC12550
RD2-1402-0	NA10400
RD3106-12	HA15950
RD3133-4	HA15750
RD4188-0	CD10000
RD4191-0	BB10000
RD4527-0	BA11400
RD5-0060-0	BA12450
RD5-4583-0	BC10000
RD5-4585-0	BC10050
RD5-4800-0	MA10200
RD5-6450-0	CA10200
SIO 329-015	EA10650
Y488-20300	RD5-8637-0

FRIGIKING

Table 13-662: FRIGIKING X-REF

OEM PART No.	TRP® Part No.
36-01105	JA11300
36-01108	BA11400
36-01116	BD14300
36-01117	BD10150
36-01118	BD10350
36-01130	EA10050
36-01131	EA10200
36-01135	BD14200
36-01136	BD14050
36-01142	HA10700
36-01242	JA10450
36-01244	PB10550
60-00569	RD5-8637-0

HIGHLIGHT INDUSTRIES

Table 13-663: HIGHLIGHT INDUSTRIES X-REF

OEM PART No.	TRP® Part No.
14261	KA10400
9421001	VK10050
14262P1T	KA10950

IDEAL AIR

Table 13-664: Ideal Air X-REF

OEM PART No.	TRP® Part No.
030-1050	HA10700
032-1030	HA11550

OEM PART No.	TRP® Part No.
032-1200	HA17100
032-1250	HB10500
032-2030	HB11550
032-8110	HA10600
034-1090	HC13050
034-8200	HC11050
034-8210	HC10250
034-8220	HC12800
034-8230	HC14000
034-8240	HC12800
034-8250	HC10900
114-1030	RD5-8637-0
148-1845	AB3145
148-1924	LA12300
148-1935	LA12650
148-1940	LA12700
148-1950	LA12500
148-7010	AB20900
149-4110	HE11200
216-1010	KA10850
216-1020	KA10200
216-1050	KA10400
216-1090	KA10450
216-1120	KA11400
216-1140	KA11900
216-1180	KA10400
216-1190	KA10100
216-1240	KC10100
216-1510	KA10950
318-1050	PB10550
318-2050	PA12000
318-8120	PA11500
318-8330	PB11200
410-1180	EC10100
440-1020	EA10050
440-1030	EA10200

OEM PART No.	TRP® Part No.	OEM PART No.	TRP® Part No.	OEM PART No.	TRP® Part No.
440-1040	EA10650	1655569C1	BD10150	1691711C1	EA10050
440-1050	EA10300	1661420C1	BA13900	1691714C91	PA10050
440-1080	EA10150	1661427C92	BA13500	1691715C1	BA11450
520-1010	AA10650	1669337C1	EA10650	1691721C91	HA10700
520-1040	D1037-3074	1669342C1	HA10600	1691722C91	BD11050
546-1020	MA12750	1669746C91	KA10350	1691726C91	BD10750
546-1025	MA10650	1669786C1	HA19900	1691727C1	HC10500
546-1082	MA10200	1672003C91	RD10600	1691728C1	HC10500
546-1084	MA10500	1675462C2	PB12000	1691729C91	BD10800
546-1220	MA11400	1676647C91	KA10400	1691730C91	CB10800
546-1230	MA12800	1676648C1	HA10600	1691731C1	HC13000
550-1006	AC10650	1676649C1	EA10650	1691732C1	CA10200
550-1008	AC10900	1676651C1	JA10700	1691733C91	HB10500
550-1010	AC11100	1676652C1	JA11050	1691734C91	HB11200
		1676654C1	VA10750	1691738C91	JA11350
		1676658C1	BC10000	1693117C1	JA19600
		1676659C91	KA10100	1693199C1	HC13850
		1676660C91	KA10450	1693942C1	AC10900
		1676662C1	UE11000	1693968C1	AC10650
		1676663C1	JA10850	1693970C1	AC11100
		1676664C1	JA11100	1693971C1	AC11150
		1676665C1	EA10900	1694713C1	NA12700
		1676787C1	BB13900	1696836C1	CA10350
		1676831C91	RD5-8637-0	1696843C1	MC13400
		1687780C92	KA14800	1696844C1	NA12650
		1691468C1	NA12850	1696846C2	EA13050
		1691469C2	EA13000	1696846C3	EA13100
		1691699C91	BC10050	1696967C1	VH10600
		1691700C1	HC14000	1698624C1	EA10650
		1691701C1	HC12800	1699291C1	HA19900
		1691703C91	JA17900	1699310C1	BA16350
		1691705C91	HB10850	1699947C1	HC14050
		1691706C1	EA13900	1699949C1	HA18350
		1691707C1	HC10100	1699950C1	NA12900
		1691708C91	HA11550	1699951C1	MC13550
		1691710C91	JA11650	1699953C1	BD14900

INTERNATIONAL

Table 13-665: INTERNATIONAL X-REF

OEM PART No.	TRP® Part No.	OEM PART No.	TRP® Part No.	OEM PART No.	TRP® Part No.
436388001	RD10700	1676664C1	JA11100	1693971C1	AC11150
442129012	HA11250	1676665C1	EA10900	1694713C1	NA12700
1103545C1	HC14750	1676787C1	BB13900	1696836C1	CA10350
1120544C1	HC10800	1676831C91	RD5-8637-0	1696843C1	MC13400
124552C1	JA11300	1687780C92	KA14800	1696844C1	NA12650
1647566C91	KA10400	1691468C1	NA12850	1696846C2	EA13050
1649161C93	PA13000	1691469C2	EA13000	1696846C3	EA13100
165129C91	KA13950	1691699C91	BC10050	1696967C1	VH10600
1651427C1	BA11000	1691700C1	HC14000	1698624C1	EA10650
1651984C1	BB14300	1691701C1	HC12800	1699291C1	HA19900
1651985C1	BB14100	1691703C91	JA17900	1699310C1	BA16350
1652584C92	PB12250	1691705C91	HB10850	1699947C1	HC14050
1653480C91	KA10950	1691706C1	EA13900	1699949C1	HA18350
1653480C92	KA14600	1691707C1	HC10100	1699950C1	NA12900
		1691708C91	HA11550	1699951C1	MC13550
		1691710C91	JA11650	1699953C1	BD14900

OEM PART No.	TRP® Part No.	OEM PART No.	TRP® Part No.	OEM PART No.	TRP® Part No.
1699955C1	EA13100	3542611C2	HA17050	481806C91	KA10400
1699956C1	GD11600	3546241C1	BA16450	488831C1	HA11550
175575C1	BD10150	3547916C1	LE4815	488843C91	HA11550
1818128C2	KA14850	3562102C1	CA10750	498144C1	GD10200
2000655C2	PB12150	3562102C1	CA10750	498574C2	MA13500
2000820C91	KA1040	3603266C1	HB1570	498590C1	NA12800
2004801C3	PB12200	367972C92	MA14650	501087C3	BA14550
2004801C4	PB12200	369512C92	MA14850	501099C91	MC13500
2016403C2	KA14900	399425C91	JA11650	506552C1	CA10950
221099C1	HD12400	411876C1	HA15750	544975C1	BB10250
2500485C1	HA19900	417888C91	RD5-8637-0	544975C1	BB10750
2500918C1	CA11050	421011C1	HC11850	544976C1	BB11050
2501256C1	BA16550	421849C1	HC11200	557335C91	PA12950
2501257C1	BA16600	426147C1	EA10050	581686C1	BB14250
2502460C91	RD5-8637-0	426164C1	BD10550	581691C1	BD10550
2503272C1	HD11500	434297C1	BA14150	581702C1	MC13600
2503274C1	RD10200	442183C1	BB11200	586908C92	PA12900
2503277C1	HA19600	446994C1	BD10150	592263C91	VH12700
2503279C1	HA19700	447186C1	CB10900	783966C93	HD11450
2505650C92	PA12800	4507329R1	HD10900	899996R91	MA12750
2506656C1	GD11700	454608C1	EA10300	BOA-80-305-00-949	EC10800
2507482C91	PA12850	454613C1	JA13250	BOA-80-319-00-189	GD11700
2507540C1	VH11250	454614C1	JA13250	BOA-80-415-00-879	HA17050
2509449C91	KA1040	463686C1	LA12650	BOA-80-612-02-109	CA10750
2509450C91	KA1525	463687C1	AB31350	BOA-85-471-77-009	MC16800
2509458C91	KA1405	463687C1	LA12500	ET210L-25073C	KA1040
2586812C91	PA12800	465502C1	HC13850	IDTK705-202-G1	UC1425
2586986C1	HA18550	469475C1	EA10150	IRAYMT2	UC13800
2589563C1	HA18500	469475C1	EA14100	IROB14401	UC13900
2644034R1	LM11350	472253C1	BA14100	IUEI300A	UC13850
301395C91	BD10350	474024C3	NA12750	RD5-6868-0	EA10650
302811C91	LA12300	474030C2	MC13450	ZGG11004	BB10750
302812C91	LA12500	474072C4	MA13550		
3523175C1	BA16400	476029C1	BB14150		
3542604C2	MC16800	480869C1	BB14050		
3542604C3	MC16800	481800C91	KA10950		

OEM PART No.	TRP® Part No.	OEM PART No.	TRP® Part No.	OEM PART No.	TRP® Part No.
ZGG11015	PB10500	ZGG11436	PA14450	ZGG11848	BD14700
ZGG11017	JA11050	ZGG11513	VH11050	ZGG11849	BA11400
ZGG11018	BC10050	ZGG11513	VH11850	ZGG11856	BB11050
ZGG11019	BA10650	ZGG11514	VH11650	ZGG11905	HC11200
ZGG11025	HA10700	ZGG11529	KA12000	ZGG11929	BD14200
ZGG11028	HB11550	ZGG11549	KA10850	ZGG12028	BD10550
ZGG11030	HC14000	ZGG11553	KA10450	ZGG12029	EA10150
ZGG11031	HC11050	ZGG11557	KA11400	ZGG12029	EA14100
ZGG11033	HC10250	ZGG11559	KA11900	ZGG12032	JA19600
ZGG11034	HC12800	ZGG11561	KA10200	ZGG12032	JA13250
ZGG11037	JA17900	ZGG11564	KA10100	ZGG12034	VH11600
ZGG11042	LE1000	ZGG11565	KA10400	ZGG12092	AB23100
ZGG11048	BD10350	ZGG11566	KA10400	ZGG12108	AB20900
ZGG11055	JA10700	ZGG11590	BA11450	ZGG12128	AC12850
ZGG11066	JA10850	ZGG11592	BA13050	ZGG12135	KA13950
ZGG11069	BC10150	ZGG11599	HG10600	ZGG12141	KA10950
ZGG11074	BA11400	ZGG11604	BA10400	ZGG12213	RD5-8637-0
ZGG11077	MA15050	ZGG11616	HC10850	ZGG12215	PB10300
ZGG11078	MA12350	ZGG11621	HC11850	ZGG12215	PA14500
ZGG11079	MA14850	ZGG11624	HC10100	ZGG12217	LA12650
ZGG11080	MA14650	ZGG11633	HC13050	ZGG12218	LA12700
ZGG11081	MA15000	ZGG11635	HA15950	ZGG12237	AE10450
ZGG11082	MA15350	ZGG11645	HB10300	ZGG12240	AE10400
ZGG11083	MA15250	ZGG11680	UE11000	ZGG12249	BB10000
ZGG11092	JA17400	ZGG11751S	RD5-12043-0P	ZGG12293	KC10100
ZGG11134	VH11450	ZGG11752	AB23000	ZGG12316	JA10700
ZGG11135	EA13150	ZGG11754	MA12750	ZGG12320	JA11050
ZGG11145	AB31350	ZGG11821	JA20150	ZGG12458	P137957
ZGG11189	AB31400	ZGG11828	JA11650	ZGG12465	AB31250
ZGG11246	EC10200	ZGG11833	BD10050	ZGG12466	AB31300
ZGG11249	JA12700	ZGG11838	EA10050	ZGG12467	EA10650
ZGG11267	UC10250	ZGG11839	LA12500	ZGG12569	HA17100
ZGG11268	UC10100	ZGG11840	LA12650	ZGG12625	HD10150
ZGG11270	HB10700	ZGG11841	LA12500	ZGG12631	BD14050
ZGG11403	TB10250	ZGG11844	BD10150	ZGG12672	CC29200
ZGG11436	PB10550	ZGG11845	EA10200	ZGG12712	PA10050

OEM PART No.	TRP® Part No.	OEM PART No.	TRP® Part No.	OEM PART No.	TRP® Part No.
ZGG12886	HA17100	ZGG14525	MA12800	ZGG16309	MA11650
ZGG12965	AA11450	ZGG14592	BB11200	ZGG16311	JA12750
ZGG13065	KA10250	ZGG14604	CC39300	ZGG16314	HC13250
ZGG13321	CC39400	ZGG14605	BD10750	ZGG16330	HD10150
ZGG13323	CC29250	ZGG14605	BD13400	ZGG16331	HD11350
ZGG13353	JA11650	ZGG14606	HC13850	ZGG16332	HD11350
ZGG13372	FD10300	ZGG14611	CA10950	ZGG16332	HD10200
ZGG13403	JA17550	ZGG14700	EA10900	ZGG16335	BA11800
ZGG13406	JA13050	ZGG14811	HB11350	ZGG16336	BA10800
ZGG13423	JA11300	ZGG14854	BB11050	ZGG16344	MA10600
ZGG13437	JA11300	ZGG14855	BB10750	ZGG16360	KA10800
ZGG13459	BA12450	ZGG14856	HA22000	ZGG16411	HF15300
ZGG13474	MA11400	ZGG14897	BB14000	ZGG16449	JA13000
ZGG13486	BE10000	ZGG14955	HC10500	ZGG16450	JA10900
ZGG13501	HB16600	ZGG15376	JC21800	ZGG16451	JA11350
ZGG13503	4664SAN	ZGG15671	BC10000	ZGG16465	PA11900
ZGG13586	EA10750	ZGG15701	RD5-8637-0	ZGG16470	PB13900
ZGG13628	HA11550	ZGG15701	RD5-8637-0	ZGG16475	PB13950
ZGG13653	FD10250	ZGG15704	VA11000	ZGG16476	PB14000
ZGG13834	VH12200	ZGG15929	KA10350	ZGG16476	PA12450
ZGG13837	VH11800	ZGG15960	BA13500	ZGG16484	JA13050
ZGG13962	AA11400	ZGG16061	VA11650	ZGG16520	CB10050
ZGG14090	BA13250	ZGG16096	HA19900	ZGG16523	BA12050
ZGG14119	JA1755	ZGG16217	BB14300	ZGG16528	BA16000
ZGG14174	AA10650	ZGG16218	BB14100	ZGG16588	BE10050
ZGG14183	BD11050	ZGG16242	EC10250	ZGG16596	BE10000
ZGG14191	KA14600	ZGG16244	EC10150	ZGG16601	CA10000
ZGG14263	GD10200	ZGG16278	HA19950	ZGG16643	BA12150
ZGG14275	CB10050	ZGG16286	MA10100	ZGG16655	BA12600
ZGG14459	MA13550	ZGG16288	HC10500	ZGG16659	HC11350
ZGG14460	MA13500	ZGG16289	EA10800	ZGG16662	BD13350
ZGG14462	MA10650	ZGG16292	CB10800	ZGG16663	BA10300
ZGG14465	BB14250	ZGG16296	MA14450	ZGG16664	BA13250
ZGG14466	BB14050	ZGG16297	HC10900	ZGG16666	FA13700
ZGG14468	BB14150	ZGG16298	HA15200	ZGG16824	AB33300
ZGG14512	BC10000	ZGG16307	HC13000	ZGG16840	LM10150

OEM PART No.	TRP® Part No.	OEM PART No.	TRP® Part No.	OEM PART No.	TRP® Part No.
ZGG16884	AA11400	ZGG19138	JA18850	ZGG19314	JC21500
ZGG16886	AA11450	ZGG19139	JA20200	ZGG19315	EC10200
ZGG16888	GA11900	ZGG19140	JA20250	ZGG19320	KA14100
ZGG16894	AC12050	ZGG19141	GD11350	ZGG19323	KA15350
ZGG18414	KA14800	ZGG19144	JA17950	ZGG19343	HA18050
ZGG18416	AB31850	ZGG19145	JA19800	ZGG19347	HB1570
ZGG18417	AB31900	ZGG19150	JA12800	ZGG19348	HB16700
ZGG18420	AB31950	ZGG19216	AC13200	ZGG19349	HA19600
ZGG18421	AB32000	ZGG19221	BA14250	ZGG19355	VH11300
ZGG18422	AB32200	ZGG19225	CA10200	ZGG19357	JA18700
ZGG18423	AB32250	ZGG19226	329-456P	ZGG19408	JC21800
ZGG18424	AB32300	ZGG19227	BB14550	ZGG19409	EC10100
ZGG18425	AB32350	ZGG19228	MC15800	ZGG19413	EC10300
ZGG18466	VH10950	ZGG19230	HA18700	ZGG19453	JC21550
ZGG18468	UE11150	ZGG19231	PA15600	ZGG19459	AB32550
ZGG18468	UE11100	ZGG19232	PA15700	ZGG19460	AC13150
ZGG18470	VH10650	ZGG19234	CA10200	ZGG19462	VH10150
ZGG18471	VH10600	ZGG19236	MC15850	ZGG19465	VH12650
ZGG19036	AC11800	ZGG19240	BA13900	ZGG19471	VH11100
ZGG19037	AC10900	ZGG19242	CB13300	ZGG19472	VH11050
ZGG19038	AC11100	ZGG19243	BB10500	ZGG19476	VH12350
ZGG19039	AC11150	ZGG19244	PB12650	ZGG19477	VH10300
ZGG19045	VH10200	ZGG19246	NA10400	ZGG19478	VH10450
ZGG19056	JA19600	ZGG19251	MA10200	ZGG19479	VH10350
ZGG19057	EA13000	ZGG19260	HA23400	ZGG19492	AC11750
ZGG19058	EA10750	ZGG19263	HC14300	ZGG19499	AC12850
ZGG19064	VH11450	ZGG19265	PA11600	ZGG19502	AC10650
ZGG19065	VH11500	ZGG19269	HA10700	ZGG19503	AC12950
ZGG19066	VH11550	ZGG19270	HB10850	ZGG19506	AC11900
ZGG19068	JA18950	ZGG19272	EA13900	ZGG19507	AC13000
ZGG19074	BA10600	ZGG19276	EA13050	ZGG19510	AC11950
ZGG19128	AC13250	ZGG19280	BA12400	ZGG19511	AC13050
ZGG19129	VH11600	ZGG19281	MA11000	ZGG19514	AC12000
ZGG19134	JA17400	ZGG19298	BB10500	ZGG19515	AC13100
ZGG19135	JA17400	ZGG19310	KA10400	ZGG19516	AC11700
ZGG19137	JA17950	ZGG19311	KA10950	ZGG19517	AC12050

OEM PART No.	TRP® Part No.	OEM PART No.	TRP® Part No.	OEM PART No.	TRP® Part No.
ZGG19518	AC12350	ZGG701016	HA18300	ZGG703011	HC13350
ZGG19521	AC12100	ZGG701017	HA18250	ZGG704000	KA14000
ZGG19522	AC12400	ZGG701019	HA23400	ZGG704001	KA15300
ZGG19524	AC11850	ZGG701024	HA21550	ZGG704032	KA16750
ZGG19525	AC12150	ZGG701025	HA21700	ZGG704033	KA16800
ZGG19526	AC12550	ZGG701030	HA19800	ZGG704034	KA16850
ZGG19528	AC10900	ZGG701062	HA21800	ZGG704037	KA4426
ZGG19529	AC12200	ZGG701063	HA21850	ZGG705002	LE1000
ZGG19530	AC12450	ZGG701064	HA22050	ZGG705023	LE1000
ZGG19532	AC11100	ZGG701065	HA22100	ZGG705025	KA1095
ZGG19533	AC12300	ZGG701067	HA22200	ZGG705026	KA1040
ZGG19534	AC12500	ZGG701070	HA21900	ZGG705028	KA1525
ZGG19540	VH11150	ZGG701071	HB16250	ZGG705029	LF1040
ZGG19541	VH11200	ZGG701074	HA19550	ZGG705125	LE4815
ZGG19734	4271SAN	ZGG701083	HA23650	ZGG705127	KA1405
ZGG19776	KA15250	ZGG701085	HA23700	ZGG705133	LE4603
ZGG19786	JC10800	ZGG701086	HA23750	ZGG706007	AB31150
ZGG19809	AA13100	ZGG701087	HA19500	ZGG706008	AB31200
ZGG19810	AB34750	ZGG701088	HB17500	ZGG706009	AB31450
ZGG19811	AB34800	ZGG701090	HA19700	ZGG706010	AB31500
ZGG19812	AB34650	ZGG701093	HA23850	ZGG706011	AB31550
ZGG19813	AB34700	ZGG701097	HB11050	ZGG706012	AB31600
ZGG19814	TB10350	ZGG702000	HC13950	ZGG706013	AB31650
ZGG19815	TB10400	ZGG702003	HC13450	ZGG706014	AB31700
ZGG19816	TB10450	ZGG702004	HC13500	ZGG706017	AB32050
ZGG19837	EA13100	ZGG702005	HC16250	ZGG706018	AB32100
ZGG19840	VH12700	ZGG702006	HC10050	ZGG706019	AB32150
ZGG19841	KA14050	ZGG702009	HC16300	ZGG706020	AB32900
ZGG19844	JA19600	ZGG702011	HC16400	ZGG706021	AB32950
ZGG19845	KA14900	ZGG702012	HC14900	ZGG706023	AB33950
ZGG701001	HA18050	ZGG702019	HC14700	ZGG706025	AB33050
ZGG701003	HA16050	ZGG703001	HC16000	ZGG706026	AB33200
ZGG701004	HB16100	ZGG703002	HC10700	ZGG706027	AB33250
ZGG701011	HB13950	ZGG703003	HC15900	ZGG706028	AB34000
ZGG701012	HA19100	ZGG703007	HD10200	ZGG706029	AB34050
ZGG701015	HB16500	ZGG703009	HD12450	ZGG706032	TB10050

OEM PART No.	TRP® Part No.	OEM PART No.	TRP® Part No.	OEM PART No.	TRP® Part No.
ZGG706033	TB10100	ZGG708004	NA10300	ZGG710002	MC11200
ZGG706035	AA11950	ZGG708005	NA10050	ZGG710003	MC11650
ZGG706036	VG10850	ZGG708006	NA10500	ZGG710004	MC13750
ZGG706039	TB10300	ZGG708008	NA11500	ZGG710007	MC11350
ZGG706040	EA12850	ZGG708009	NA13050	ZGG710009	MC13650
ZGG706041	VH10250	ZGG708010	NA10900	ZGG710010	MC10150
ZGG707000	PA12750	ZGG708011	NA13000	ZGG710011	MC10200
ZGG707001	PA12000	ZGG708012	NA10150	ZGG710012	MC10250
ZGG707002	PB10250	ZGG708013	NA10200	ZGG710013	MC10300
ZGG707004	PA10300	ZGG708017	NA10750	ZGG710014	MC10450
ZGG707013	PA15650	ZGG708018	NA10950	ZGG710015	MC10500
ZGG707024	PA14850	ZGG708020	NA11450	ZGG710016	MC10600
ZGG707025	PA14300	ZGG708021	NA11700	ZGG710017	MC10950
ZGG707026	PA14350	ZGG708022	NA11800	ZGG710018	MC11000
ZGG707027	PA14400	ZGG708024	NA11900	ZGG710023	MC12150
ZGG707029	PA14650	ZGG708027	NA12300	ZGG710024	MC12200
ZGG707042	PB1450BSM	ZGG708029	NC10000	ZGG710026	MC12350
ZGG707044	PB14600	ZGG708033	NB10450	ZGG710027	MC12550
ZGG707059	PB14300	ZGG708034	NB10300	ZGG710030	MC12350
ZGG707060	PB14350	ZGG708035	NB10050	ZGG710032	MC10550
ZGG707061	PB13000	ZGG708038	NA14750	ZGG710033	MC10050
ZGG707062	PB13050	ZGG708061	MC16400	ZGG710034	MC10850
ZGG707067	PB13150	ZGG708064	MC16550	ZGG710035	MC12400
ZGG707084	PB13200	ZGG709001	EA14500	ZGG710039	MC15900
ZGG707085	PB13300	ZGG709002	EA14150	ZGG710044	MC14550
ZGG707087	PB13400	ZGG709004	EA12300	ZGG710049	MC14800
ZGG707091	PB13600	ZGG709006	EC10350	ZGG710057	MC15200
ZGG707099	PB12750	ZGG709007	EA14300	ZGG710059	MC15300
ZGG707100	PB12800	ZGG709010	EA14400	ZGG710068	MC15750
ZGG707101	PB13650	ZGG709015	EA10650	ZGG710074	MC1615BK
ZGG707105	PB13900	ZGG709017	EC10650	ZGG711001	BB14500
ZGG707106	PB13950	ZGG709018	EC10700	ZGG711003	BB10050
ZGG707107	PB14000	ZGG709019	EC10750	ZGG711004	BC10100
ZGG707107	PA12450	ZGG709023	EA14200	ZGG711005	BB13750
ZGG708000	NA12950	ZGG710000	MC10100	ZGG711006	BB13800
ZGG708001	NC10100	ZGG710001	MC11300	ZGG711007	BB14000

OEM PART No.	TRP® Part No.	OEM PART No.	TRP® Part No.	OEM PART No.	TRP® Part No.
ZGG711009	BB14600	ZGG715000	DB10000	ZGG718013	VH10950
ZGG711010	BB10250	ZGG715005	BA13950	ZGG718014	VH10900
ZGG711012	BA16200	ZGG715006	BA10050	ZGG718015	VH11000
ZGG711013	BA15200	ZGG715007	BA10050	ZGG718016	VH10600
ZGG711014	BA16050	ZGG715009	BE10100	ZGG718017	VH12000
ZGG711015	BA16100	ZGG715024	BA14950	ZGG718018	VH12200
ZGG711016	BA16150	ZGG716000	BD14300	ZGG718019	VH1110
ZGG711027	BA15500	ZGG716001	BD13400	ZGG718021	AB34550
ZGG712003	JA20350	ZGG716002	BD13550	ZGG719000	VC10900
ZGG712004	JA20800	ZGG716006	BD10400	ZGG719001	VH12300
ZGG712005	JA20500	ZGG716008	BD14850	ZGG719002	UE11150
ZGG712006	JA20550	ZGG716010	BD11050	ZGG719003	UE11100
ZGG712007	JA20000	ZGG717001	MA14250	ZGG719004	VH10500
ZGG712010	JA22150	ZGG717003	CD10000	ZGG719005	VH11400
ZGG712027	JC11950	ZGG717004	MA10000	ZGG720000	GD11400
ZGG712028	JC21000	ZGG717006	MA10400	ZGG720001	GD11450
ZGG712030	JC21150	ZGG717007	MA11100	ZGG720002	UE12250
ZGG712031	JA20650	ZGG717008	MA13650	ZGG720003	UE12300
ZGG712032	JC21200	ZGG717014	MA12050	ZGG720004	UE12200
ZGG712034	JC21300	ZGG717017	MA14800	ZGG720005	UE12150
ZGG712037	JC21450	ZGG717019	MA10500	ZGG720007	UE12100
ZGG712038	JC21600	ZGG717030	MA1655	ZGG720010	GD11650
ZGG712042	JC21800	ZGG717032	MA15850	ZGG720011	GD11500
ZGG712043	JC21850	ZGG717033	MA10650	ZGG720013	GE11500
ZGG712051	JA22250	ZGG717034	MA15950	ZGG722005	AB30200
ZGG712058	JA22350	ZGG717039	MA16350	ZGG722047	AB22200
ZGG712061	JA11700	ZGG718001	VH10850	ZGG722048	AB22250
ZGG712062	JA10450	ZGG718002	VH10800	ZGG722062	UC10250
ZGG713000	CB11000	ZGG718003	VH10750	ZGG722070	UC10150
ZGG713002	CB10750	ZGG718004	AB32400	ZGG722076	AB35300
ZGG713003	CB11150	ZGG718006	VH11250	ZGG722078	AB35000
ZGG713005	CB13400	ZGG718007	AB32650	ZGG722079	AB35150
ZGG713006	CB13350	ZGG718008	AB32600	ZGG722080	AB35200
ZGG713009	CB13150	ZGG718010	AB32750	ZGG722081	AB35350
ZGG713010	CB13200	ZGG718011	VH10550	ZGG722082	AB34900
ZGG713011	CB13250	ZGG718012	VH10650	ZGG722083	AB35050

OEM PART No.	TRP® Part No.	OEM PART No.	TRP® Part No.	OEM PART No.	TRP® Part No.
ZGG722084	AB35250	ZGG728012	UC13150	ZGH733092	UN10250
ZGG722085	AB35400	ZGG728014	UC13350	ZGH733095	AC13250
ZGG722086	AB34950	ZGG728015	VE10250	ZGH733099	FR10200
ZGG723000	AC12250	ZGG728016	VE10300	ZGH733100	FR1005KYS0
ZGG723001	AB34600	ZGG728017	AB34350	ZGHS12731	AB34500
ZGG725004	UC13050	ZGG728019	LM11300	ZGHS12732	AB34450
ZGG725005	LM11200	ZGG728020	UC13400		
ZGG725006	LM11250	ZGG728024	VH12850		
ZGG725010	VA11700	ZGG728026	VH12950		
ZGG726000	FD10000	ZGG728036	UC12800		
ZGG726001	FD10200	ZGG728037	UC12850		
ZGG726002	FD10450	ZGG728038	UC13550		
ZGG726005	FD11200	ZGG728039	UC12950		
ZGG726007	FD11300	ZGG728040	UC12950		
ZGG726008	FD11350	ZGG728041	UC13000		
ZGG726010	FD12250	ZGG728044	UC12250		
ZGG726011	FD12350	ZGG728047	UC12400		
ZGG726013	FD12400	ZGG728077	JB10300		
ZGG727000	GB10200	ZGG730001	CD10250		
ZGG727001	GB10600	ZGG730002	CD10000		
ZGG727002	GB12350	ZGG738002	HE16550		
ZGG727003	GB12400	ZGGR1L340	LM10300		
ZGG727005	GB12500	ZGGR1L341	LM10300		
ZGG727006	GB12550	ZGGR6812	LM11450		
ZGG727016	DA11600	ZGGR6815	LM11400		
ZGG727017	GB13350	ZGGR6822	LM11350		
ZGG727018	GB13500	ZGGR725003	LM11150		
ZGG727021	DA1150	ZGGR725007	LM11500		
ZGG727022	DB10800	ZGGR725008	LM11600		
ZGG727023	DB10500	ZGGR725031	VA11650		
ZGG727024	DB10150	ZGGR725032	VA11700		
ZGG727025	DB10100	ZGH51199	HE11200		
ZGG727026	DB10050	ZGH51200	HE11850		
ZGG728001	VE10550	ZGH550432	VC20000		
ZGG728004	VE10150	ZGH550433	VC20050		
ZGG728006	UC13250	ZGH733000	RD10650		

OEM PART No.	TRP® Part No.
1140536C1	BD11050
1208318H1	BD10350
168902C1	BD10350
173899C1	EA10050
647667C91	EA10050
66398C1	EA10050
715902C1	BD10150
739612C1	EA10200

OEM PART No.	TRP® Part No.
275102	HA17100
404098	EA10650
404145	BD13400
404145	BD11050

INTERNATIONAL HOUGH (DRESSER)

Table 13-666: INTERNATIONAL
HOUGH (DRESSER) X-REF

KENWORTH

Table 13-667: KENWORTH X-REF

OEM PART No.	TRP® Part No.
404146	EA10900
173093KYS	MA10100
2030-12	HA15950
221503KB	BA12050
221504KB	BA10800
488-21569	RD5-8637-0
502393 OCC	KA10450
K152-351	UC10150
K251-306	EA10050
K251-306	JA11300
K251-363	JA11050
K251-459	JA13050
K251-521	JA11350
K251-566	JA20250
K251-571	GD11350
K295-193	MA10200
K295-99	LA1040
K301-162	CB10050
K301-239	BC10000
K301-69	BA11400
K318-119-3	KA1095
K332-12	KA11400
K332-15	KA10100
K332-19	KA10400
K332-21	KA10100
K332-23	KA10400
K332-24	KA10400
K332-25	KA10100
K332-26	KA11400
K332-29	KA10350
K332-40	KA10850
K332-59-3	KA14100
K332-59-5	KA15250
K332-59-6	KA15300
K332-59-7	KA15350
K332-62-1	KA10400

OEM PART No.	TRP® Part No.
K332-62-2	KA10950
K338-B8	HD10150

KYSOR (New)

Table 13-668: KYSOR (NEW)

OEM PART No.	TRP® Part No.
1010004	HA19100
1011012	HA10700
1011015	HB11550
1012001	HA19950
1012006	HA21550
1012016	HA23850
1013004	HA19900
1013005	HA18350
1013007	HA18550
1013008	HA17050
1013009	HA18500
1014001	HB16500
1014002	HA15200
1014003	HA16050
1015003	HA23400
1015006	HA23400
1015007	HA23700
1017002	HB11200
1017003	HB10850
1017004	HA18250
1018002	HA18300
1018006	HA23650
1075011	HB11050
1075031	HA15750
1099002	HB10500
1099006	HA15950

OEM PART No.	TRP® Part No.
1099007	HA10700
1099011	HA11550
1099015	HA17100
1099018	HB15700
1099018	HB1570
1099019	HB13950
1099020	HB16100
1099021	HB10700
1099022	HA10600
1099024	HA11250
1099025	HB16250
1099026	HB16600
1099033	HA18050
1099034	HA19600
1099040	HA22000
1099043	HA19550
1099047	HB16700
1099048	HB11350
1099051	HA19700
1099052	HA21800
1099053	HA21850
1099054	HA22050
1099055	HA22100
1099057	HA22200
1099060	HA21900
1099062	HA19800
1099063	HA18700
1099064	HA21700
1099066	RD10600
1099067	RD10200
1099068	RD10650
1099069	HB17500
1099070	HA23750
1099073	RD10700
1099080	HA19500
1110001	HC16300

OEM PART No.	TRP® Part No.	OEM PART No.	TRP® Part No.	OEM PART No.	TRP® Part No.
1110003	HC16400	1299019	HC13350	1401103	4664SAN
1113001	HC11200	1299021	HD12450	1401106	LE4603
1113002	HC13850	1299023	HD12400	1401336	4271SAN
1113003	HC14050	1312001	KA10450	1401349	LE4815
1115001	HC13450	1312002	KA14100	1402001	RD5-8637-0
1115003	HC14300	1312003	KA15350	1402003	KA1095
1117001	HC11850	1313001	KA14800	1402004	KA1040
1117002	HF15300	1313002	KA14900	1402006	KA1525
1117003	HC16250	1313005	KA13950	1402007	KA1405
1118001	HC13950	1313008	KA10950	1402012	RD5-8637-0
1199003	HC13250	1314001	KA15300	1403104	LF1040
1199004	HC13500	1399001	KA10250	1407008	HE11200
1199005	HC13000	1399002	KA10550	1407010	VH12700
1199006	HC10050	1399003	KA10400	1407019	VK10050
1199007	HC10500	1399004	KA10350	1408001	LA12500
1199008	HC12800	1399005	KA10950	1408002	LA12300
1199010	HC14000	1399006	KA14850	1408005	LA12700
1199014	HC11350	1399007	KA15250	1408006	LA12650
1199015	HC11050	1399008	KA14000	1408009	P137957
1199024	HC14750	1399009	KA14050	1408013	AB31250
1199025	HC10100	1399013	KA14600	1408014	AB31300
1199035	HC10500	1399014	KA10800	1408015	AB31350
1199038	HC14900	1399017	KA10850	1408016	AB31400
1199043	HC14700	1399018	KA10200	1408018	AB31150
1199046	HC11700	1399023	KA11400	1408019	AB31200
1199048	HC10250	1399025	KA11900	1408020	AB31550
1275003	HC13050	1399027	KA10100	1408021	AB31600
1275005	HC15950	1399030	KA12000	1408022	AB31850
1299001	HD10200	1399055	KA16750	1408023	AB31900
1299007	HD10900	1399056	KA16800	1408024	AB31950
1299008	HD11450	1399057	KA16850	1408025	AB32000
1299010	HD11500	1399060	KC10100	1408030	AB32300
1299013	HC10800	1399068	KA4426	1408031	AB32350
1299015	HC16000	1401012	LE1000	1408034	AB32200
1299016	HC10700	1401015	LE1000	1408035	AB32250
1299017	HC15900	1401020	LE1000	1408036	AB32050

OEM PART No.	TRP® Part No.	OEM PART No.	TRP® Part No.	OEM PART No.	TRP® Part No.
1408037	AB32100	1511008	PB14600	1599004	PA10300
1408038	AB32150	1512001	PB12650	1599005	PB10300
1408041	AB31650	1512002	PA15600	1599005	PA14500
1408042	AB31700	1512003	PA15650	1599011	PA15700
1408043	AB32900	1512005	PB13150	1599014	PB13900
1408044	AB32950	1513008	PB12150	1599015	PB13950
1408046	AB33950	1513010	PB12250	1599016	PB14000
1408048	AB33050	1513011	PB12000	1599016	PA12450
1408049	AB33200	1513017	PB12200	1599100	UN10250
1408050	AB33250	1513019	PA12900	1612004	NA14750
1408051	AB34000	1513020	PA12950	1612006	MC16400
1408052	AB34050	1513021	PA13000	1612010	MC16550
1408053	AB31450	1513027	PA12850	1613001	NA12750
1408054	AB31500	1513028	PA12800	1613002	NA12700
1409001	VH11050	1515002	PA12750	1613003	NA12650
1409002	VH11650	1515003	PB13200	1613005	NA12800
1409003	VH11800	1515004	PB13300	1613006	NA12850
1409004	VH11500	1515006	PB13400	1613007	NA12900
1409005	VH11550	1515010	PB13600	1614002	NA10200
1409006	VH13100	1515012	PA11600	1614003	NA10050
1409007	VH13050	1517001	PA12000	1614004	NA10900
1409008	AB20900	1517003	PB10250	1614005	NA10300
1409009	VH11850	1518001	PB10550	1614006	NA11500
1409010	AB33300	1518001	PA14450	1615001	NA11700
1409011	VH10850	1518010	PB12750	1615003	NA11900
1409012	VH10800	1518011	PB12800	1615006	NA11800
1409013	VH11250	1518012	PB13650	1615008	NB10450
1409014	VH12200	1518016	PB14300	1615009	NB10300
1409015	VH1110	1519001	PB14350	1617001	NA10750
1409016	VH11300	1575001	PA14300	1617003	NC10000
1409017	VH11100	1575002	PA14350	1617005	NC10100
1409018	VH11050	1575003	PA14400	1617006	NA12950
1492001	LE4815	1575006	PA14650	1617007	NA10150
1510015	PB1450BSM	1575011	PA14850	1617008	NB10050
1511006	PB13000	1599002	PA10050	1618001	NA12300
1511007	PB13050	1599003	PA11900	1618002	NA13050

OEM PART No.	TRP® Part No.	OEM PART No.	TRP® Part No.	OEM PART No.	TRP® Part No.
1618005	NA13000	1717008	MC10250	1899013	EC10650
1619001	NA10950	1717009	MC10600	1899014	EC10700
1699002	NA10400	1718001	MC13750	1899015	EC10750
1699003	NA11450	1799004	MC10100	1899019	CD10250
1699004	NA10500	1799005	MC10850	1899020	CD10000
1710007	MC14800	1799007	MC10450	1899021	EC10350
1710013	MC15750	1799015	MC1615BK	1899022	VC10900
1711006	MC15300	1810002	EC10300	1899026	EA10300
1711008	MC14550	1810003	EC10100	1910001	JC21000
1711016	MC15200	1811001	EC10200	1910002	JC11950
1712002	MC15800	1812001	EA10800	1910020	JC21850
1712003	MC15850	1812002	EA14300	1910023	JC21600
1712004	MC15900	1812003	EA14400	1910024	JC21800
1712006	MC12550	1812004	CD10000	1911009	JC21200
1713001	MC13450	1813003	EA13000	1911010	JC21300
1713002	MC13600	1813004	EA13050	1911013	JC21550
1713003	MC13400	1813005	EA13100	1911015	JA20550
1713004	MC13500	1813007	EA13100	1911016	JA20650
1713005	MC13550	1813008	EC10800	1911017	JC21150
1713007	MC16800	1813009	EA14100	1912001	JA17550
1714001	MC10950	1814001	EA12300	1912002	JA17900
1714003	MC10150	1817001	EA13150	1912003	JA17400
1714004	MC10300	1817002	EA14500	1912004	JA17950
1714005	MC10050	1818001	EA13900	1912005	JA17400
1714006	MC10550	1818002	EA14150	1912007	JA20200
1714007	MC11350	1818005	EA14200	1912008	JA18850
1715001	MC12350	1875001	EA10650	1912010	JA22150
1715002	MC12350	1875003	EA10200	1913001	JA13250
1715006	MC12200	1899002	EC10250	1913004	JA19600
1715007	MC12400	1899003	EC10150	1914001	JA13050
1717002	MC11650	1899004	EA10650	1914002	JA11350
1717003	MC11200	1899005	EA10750	1914003	GD11350
1717004	MC11300	1899006	329-456P	1914004	JA20350
1717005	MC13650	1899008	EA10050	1915001	JA19800
1717006	MC10200	1899010	EA10900	1915005	JA18950
1717007	MC11000	1899011	BA12450	1915006	JA17950

OEM PART No.	TRP® Part No.	OEM PART No.	TRP® Part No.	OEM PART No.	TRP® Part No.
1917003	JC10800	2013005	CA10750	2199041	CC29250
1918001	JA12700	2015001	CB11000	2199048	CC29200
1918002	JA12750	2099002	CB10800	2210001	BB13750
1918003	JA12800	2099003	CB10050	2210004	BB13800
1918004	JA20800	2099004	CA10350	2211007	BA16000
1918005	JA20500	2099005	CA10000	2212001	BB14550
1919001	JA18700	2099013	CB11150	2212002	BB14600
1919002	JA20550	2112001	BA13250	2212003	BB10500
1919003	JA22350	2112010	BA14950	2212004	BA16200
1975004	JA10450	2113001	BA14150	2212005	BA15200
1999003	JA20250	2113002	BA14100	2212006	BA16050
1999004	JC21450	2113003	BA14550	2212007	BA16100
1999005	JA20000	2113004	BA13500	2212008	BA16150
1999006	JA11650	2114001	BA10050	2213001	BB11200
1999007	JA11300	2114002	BA10050	2213003	BB14100
1999009	JA10850	2114003	BA10800	2213005	BB14300
1999010	JA10700	2114004	DB10000	2213007	BB13900
1999011	JA10900	2117001	BA10400	2213009	BA16350
1999012	JA13000	2118002	BA10600	2213010	BB14050
1999014	JC21500	2175002	BA13950	2213011	BB14250
1999016	JA11700	2175003	HG10600	2213012	BA16400
1999017	JA17400	2199002	BA11450	2213013	BA16450
1999022	JA11100	2199003	BA10800	2215001	BB14500
1999029	JA20150	2199004	BA14250	2215004	BC10100
1999046	JA22250	2199005	BA13900	2275005	BB11100
2010008	BA15500	2199007	BE10000	2299001	BB11050
2010009	CB13200	2199008	BA12050	2299002	BB14000
2010010	CB13250	2199009	BA13050	2299003	BC10000
2011001	CB13150	2199009	BA13250	2299004	BC10050
2012001	CB13300	2199010	BA11800	2299005	BB10000
2012003	CB13400	2199014	BA10300	2299006	BA11400
2012004	CB13350	2199019	BA12150	2299007	BB10250
2012006	CA10200	2199021	BA11000	2299007	BB10750
2013002	CB10900	2199023	BA12600	2299008	BA12400
2013003	CA10950	2199032	CC39400	2299010	BB10050
2013004	CA11050	2199039	CC39300	2299013	BB14150

OEM PART No.	TRP® Part No.	OEM PART No.	TRP® Part No.	OEM PART No.	TRP® Part No.
2299033	BC10150	2413006	MA14650	2610010	AB34750
2299036	BA16550	2414002	MA10000	2610011	AB34800
2299037	BA16600	2417001	MA12050	2610012	AB34650
2299100	FA13700	2475001	MA12750	2610013	AB34700
2310013	BD14700	2475002	MA10250	2610014	TB10350
2312001	BD10800	2499002	MA10200	2610015	TB10400
2313001	BD10550	2499003	MA10400	2610016	TB10450
2313003	BD14900	2499004	MA11100	2611501	AB35300
2318001	BD13350	2499007	MA10100	2611503	AB35000
2318002	BD14300	2499008	MA11650	2611504	AB35150
2375001	BD14050	2499011	MA10150	2611551	AB35200
2399001	BD11050	2499025	MA11000	2611552	AB35350
2399003	BD11050	2499029	MA13650	2611553	AB34900
2399004	BD10150	2499030	MA14800	2611554	AB35050
2399005	BD10750	2499031	MA10600	2611591	AB35250
2399006	BD13400	2499038	MA10500	2611592	AB35400
2399008	BD10400	2499042	MA15250	2611593	AB34950
2399009	BD13550	2499043	MA15350	2621101	AB22200
2399010	BD14200	2499044	MA12350	2621102	AB22250
2399011	BD14250	2499045	MA11400	2621652	AB30200
2399012	BD14850	2499071	MA16350	2622103	AB23100
2399018	BD10350	2512007	FD12250	2622193	AB23300
2399019	BD10350	2575003	FD10250	2799010	UC10250
2399021	BD10050	2575004	FD10350	2799012	UC10150
2410004	MA15850	2575019	FD10400	2799013	AC11700
2411001	MA15000	2599023	FD11150	2799014	AC11750
2411003	MA12800	2599025	FD10150	2799015	AC10650
2411004	MA15950	2599035	FD12350	2799016	AC11900
2411005	MA10650	2599036	FD10000	2799017	AC11950
2411007	MA15050	2599037	FD10200	2799018	AC12000
2412002	MA14450	2599038	FD10450	2799019	AC11850
2412003	MA14250	2599041	FD11200	2799020	AC12050
2412007	MA1655	2599043	FD11300	2799021	AC12100
2413003	MA13550	2599044	FD11350	2799022	AC12150
2413004	MA13500	2599049	FD12400	2799023	AC12200
2413005	MA14850	2610009	AA13100	2799024	AC12250

OEM PART No.	TRP® Part No.	OEM PART No.	TRP® Part No.	OEM PART No.	TRP® Part No.
2799025	AC12300	2899007	AB32550	2999020	VE10150
2799026	AC12350	2899009	AB32650	2999021	UC13250
2799027	AC12400	2899010	AB32600	2999023	UC13150
2799028	AC12450	2899012	AB32400	2999025	UC13350
2799029	AC12500	2899014	AB32750	2999026	UC13400
2799030	AC12550	2899015	VH12650	2999030	VE10550
2799031	AC12850	2899016	VH12350	2999031	LM11300
2799032	AC12950	2899019	VH10950	2999034	VE10250
2799033	AC13000	2899020	VH10300	2999036	AB34450
2799034	AC13050	2899021	VH10350	2999037	AB34500
2799035	AC13100	2899023	VH10450	2999041	VE10300
2799086	GA11900	2899025	VH10750	2999042	AB34350
2799087	AA11500	2899026	AB34550	2999047	VH12850
2799095	TB10250	2899027	AB34600	2999049	VH12950
2799097	TB10300	2899028	VH11450	2999071	UC1425
2799098	TB10050	2899029	VH12000	2999073	UC13800
2799099	TB10100	2899030	VH10500	2999074	UC13850
2799101	AA11950	2899031	VH11400	2999075	UC13900
2799102	VG10850	2899032	VH11150	2999091	JB10300
2799104	EA12850	2899033	VH11200	2999096	UC14100
2799107	AC13150	2899034	UE11150	2999102	UC14400
2799108	AC13200	2899035	UE11100	2999103	UC14450
2799110	AC13250	2899100	VC20000	3099001	LM11500
2799115	AC11800	2899101	VC20050	3099002	LM11600
2799116	AC10900	2899105	VH12300	3099004	LM11450
2799117	AC11100	2899106	VH10150	3099005	LM11400
2799118	AC11150	2999003	UC12800	3099006	LM11350
2799200	VH10250	2999004	UC12850	3099012	VA11700
2799201	VH10200	2999005	UC12250	3099014	VA11650
2799202	VH11600	2999006	UC13000	3099015	VA11000
2899001	VH10550	2999007	UC12950	3099016	UC13050
2899002	VH10600	2999008	UC12950	3099017	LM11200
2899003	VH10900	2999009	UC13550	3099018	LM11250
2899004	VH10950	2999012	UC12400	3099023	LM11150
2899005	VH10650	2999015	UE11000	3099041	LM11500
2899006	VH11000	2999019	VA10750	3099042	LM11500

OEM PART No.	TRP® Part No.	OEM PART No.	TRP® Part No.	OEM PART No.	TRP® Part No.
3099043	LM11600	3299031	GB12400	1018002	HA18300
3099044	LM11450	3299033	GB12500	1018006	HA23650
3099045	LM11350	3299034	GB12550	1075011	HB11050
3099046	LM11400	3299045	DB10800	1075031	HA15750
3099047	LM11650	3299046	DB10500	1099002	HB10500
3099048	VA11650	3299047	DB10150	1099006	HA15950
3099049	VA11700	3299048	DB10100	1099007	HA10700
3099050	LM11700	3299049	DB10050	1099011	HA11550
3099051	LM11750	3499019	HE16550	1099015	HA17100
3099052	LM11800			1099018	HB15700
3099053	LM11850			1099018	HB1570
3099054	LM10300			1099019	HB13950
3112001	GD11650			1099020	HB16100
3112005	GD11400			1099021	HB10700
3112006	GD11450			1099022	HA10600
3112008	GE11500			1099024	HA11250
3113003	GD10200			1099025	HB16250
3113004	GD11600			1099026	HB16600
3113006	GD11700			1099033	HA18050
3175005	FR10200			1099034	HA19600
3175006	FR1005KYSO			1099040	HA22000
3199025	UE12250			1099043	HA19550
3199027	UE12300			1099047	HB16700
3199030	GD11500			1099048	HB11350
3199031	UE12200			1099051	HA19700
3199032	UE12150			1099052	HA21800
3199053	UE12100			1099053	HA21850
3212002	GB12350			1099054	HA22050
3212005	GB13350			1099055	HA22100
3212008	DA11600			1099057	HA22200
3212009	GB13500			1099060	HA21900
3212011	DA1150			1099062	HA19800
3299002	GB10150			1099063	HA18700
3299003	GA10500			1099064	HA21700
3299029	GB10200			1099066	RD10600
3299030	GB10600			1099067	RD10200

KYSOR

Table 13-669: KYSOR (OLD) X-REF

OEM PART No.	TRP® Part No.
1010004	HA19100
1011012	HA10700
1011015	HB11550
1012001	HA19950
1012006	HA21550
1012016	HA23850
1013004	HA19900
1013005	HA18350
1013007	HA18550
1013008	HA17050
1013009	HA18500
1014001	HB16500
1014002	HA15200
1014003	HA16050
1015003	HA23400
1015006	HA23400
1015007	HA23700
1017002	HB11200
1017003	HB10850
1017004	HA18250

OEM PART No.	TRP® Part No.	OEM PART No.	TRP® Part No.	OEM PART No.	TRP® Part No.
1099068	RD10650	1299008	HD11450	1399057	KA16850
1099069	HB17500	1299010	HD11500	1399060	KC10100
1099070	HA23750	1299013	HC10800	1399068	KA4426
1099073	RD10700	1299015	HC16000	1401012	LE1000
1099080	HA19500	1299016	HC10700	1401015	LE1000
1110001	HC16300	1299017	HC15900	1401020	LE1000
1110003	HC16400	1299019	HC13350	1401103	4664SAN
1113001	HC11200	1299021	HD12450	1401106	LE4603
1113002	HC13850	1299023	HD12400	1401336	4271SAN
1113003	HC14050	1312001	KA10450	1401349	LE4815
1115001	HC13450	1312002	KA14100	1402001	RD5-8637-0
1115003	HC14300	1312003	KA15350	1402003	KA1095
1117001	HC11850	1313001	KA14800	1402004	KA1040
1117002	HF15300	1313002	KA14900	1402006	KA1525
1117003	HC16250	1313005	KA13950	1402007	KA1405
1118001	HC13950	1313008	KA10950	1402012	RD5-8637-0
1199003	HC13250	1314001	KA15300	1403104	LF1040
1199004	HC13500	1399001	KA10250	1407008	HE11200
1199005	HC13000	1399002	KA10550	1407010	VH12700
1199006	HC10050	1399003	KA10400	1407019	VK10050
1199007	HC10500	1399004	KA10350	1408001	LA12500
1199008	HC12800	1399005	KA10950	1408002	LA12300
1199010	HC14000	1399006	KA14850	1408005	LA12700
1199014	HC11350	1399007	KA15250	1408006	LA12650
1199015	HC11050	1399008	KA14000	1408009	P137957
1199024	HC14750	1399009	KA14050	1408013	AB31250
1199025	HC10100	1399013	KA14600	1408014	AB31300
1199035	HC10500	1399014	KA10800	1408015	AB31350
1199038	HC14900	1399017	KA10850	1408016	AB31400
1199043	HC14700	1399018	KA10200	1408018	AB31150
1199046	HC11700	1399023	KA11400	1408019	AB31200
1199048	HC10250	1399025	KA11900	1408020	AB31550
1275003	HC13050	1399027	KA10100	1408021	AB31600
1275005	HC15950	1399030	KA12000	1408022	AB31850
1299001	HD10200	1399055	KA16750	1408023	AB31900
1299007	HD10900	1399056	KA16800	1408024	AB31950

OEM PART No.	TRP® Part No.	OEM PART No.	TRP® Part No.	OEM PART No.	TRP® Part No.
1408025	AB32000	1409017	VH11100	1575002	PA14350
1408030	AB32300	1409018	VH11050	1575003	PA14400
1408031	AB32350	1492001	LE4815	1575006	PA14650
1408034	AB32200	1510015	PB1450BSM	1575011	PA14850
1408035	AB32250	1511006	PB13000	1599002	PA10050
1408036	AB32050	1511007	PB13050	1599003	PA11900
1408037	AB32100	1511008	PB14600	1599004	PA10300
1408038	AB32150	1512001	PB12650	1599005	PB10300
1408041	AB31650	1512002	PA15600	1599005	PA14500
1408042	AB31700	1512003	PA15650	1599011	PA15700
1408043	AB32900	1512005	PB13150	1599014	PB13900
1408044	AB32950	1513008	PB12150	1599015	PB13950
1408046	AB33950	1513010	PB12250	1599016	PB14000
1408048	AB33050	1513011	PB12000	1599016	PA12450
1408049	AB33200	1513017	PB12200	1599100	UN10250
1408050	AB33250	1513019	PA12900	1612004	NA14750
1408051	AB34000	1513020	PA12950	1612006	MC16400
1408052	AB34050	1513021	PA13000	1612010	MC16550
1408053	AB31450	1513027	PA12850	1613001	NA12750
1408054	AB31500	1513028	PA12800	1613002	NA12700
1409001	VH11050	1515002	PA12750	1613003	NA12650
1409002	VH11650	1515003	PB13200	1613005	NA12800
1409003	VH11800	1515004	PB13300	1613006	NA12850
1409004	VH11500	1515006	PB13400	1613007	NA12900
1409005	VH11550	1515010	PB13600	1614002	NA10200
1409006	VH13100	1515012	PA11600	1614003	NA10050
1409007	VH13050	1517001	PA12000	1614004	NA10900
1409008	AB20900	1517003	PB10250	1614005	NA10300
1409009	VH11850	1518001	PB10550	1614006	NA11500
1409010	AB33300	1518001	PA14450	1615001	NA11700
1409011	VH10850	1518010	PB12750	1615003	NA11900
1409012	VH10800	1518011	PB12800	1615006	NA11800
1409013	VH11250	1518012	PB13650	1615008	NB10450
1409014	VH12200	1518016	PB14300	1615009	NB10300
1409015	VH1110	1519001	PB14350	1617001	NA10750
1409016	VH11300	1575001	PA14300	1617003	NC10000

OEM PART No.	TRP® Part No.	OEM PART No.	TRP® Part No.	OEM PART No.	TRP® Part No.
1617005	NC10100	1717002	MC11650	1899004	EA10650
1617006	NA12950	1717003	MC11200	1899005	EA10750
1617007	NA10150	1717004	MC11300	1899006	329-456P
1617008	NB10050	1717005	MC13650	1899008	EA10050
1618001	NA12300	1717006	MC10200	1899010	EA10900
1618002	NA13050	1717007	MC11000	1899011	BA12450
1618005	NA13000	1717008	MC10250	1899013	EC10650
1619001	NA10950	1717009	MC10600	1899014	EC10700
1699002	NA10400	1718001	MC13750	1899015	EC10750
1699003	NA11450	1799004	MC10100	1899019	CD10250
1699004	NA10500	1799005	MC10850	1899020	CD10000
1710007	MC14800	1799007	MC10450	1899021	EC10350
1710013	MC15750	1799015	MC1615BK	1899022	VC10900
1711006	MC15300	1810002	EC10300	1899026	EA10300
1711008	MC14550	1810003	EC10100	1910001	JC21000
1711016	MC15200	1811001	EC10200	1910002	JC11950
1712002	MC15800	1812001	EA10800	1910020	JC21850
1712003	MC15850	1812002	EA14300	1910023	JC21600
1712004	MC15900	1812003	EA14400	1910024	JC21800
1712006	MC12550	1812004	CD10000	1911009	JC21200
1713001	MC13450	1813003	EA13000	1911010	JC21300
1713002	MC13600	1813004	EA13050	1911013	JC21550
1713003	MC13400	1813005	EA13100	1911015	JA20550
1713004	MC13500	1813007	EA13100	1911016	JA20650
1713005	MC13550	1813008	EC10800	1911017	JC21150
1713007	MC16800	1813009	EA14100	1912001	JA17550
1714001	MC10950	1814001	EA12300	1912002	JA17900
1714003	MC10150	1817001	EA13150	1912003	JA17400
1714004	MC10300	1817002	EA14500	1912004	JA17950
1714005	MC10050	1818001	EA13900	1912005	JA17400
1714006	MC10550	1818002	EA14150	1912007	JA20200
1714007	MC11350	1818005	EA14200	1912008	JA18850
1715001	MC12350	1875001	EA10650	1912010	JA22150
1715002	MC12350	1875003	EA10200	1913001	JA13250
1715006	MC12200	1899002	EC10250	1913004	JA19600
1715007	MC12400	1899003	EC10150	1914001	JA13050

OEM PART No.	TRP® Part No.	OEM PART No.	TRP® Part No.	OEM PART No.	TRP® Part No.
1914002	JA11350	2012003	CB13400	2199014	BA10300
1914003	GD11350	2012004	CB13350	2199019	BA12150
1914004	JA20350	2012006	CA10200	2199021	BA11000
1915001	JA19800	2013002	CB10900	2199023	BA12600
1915005	JA18950	2013003	CA10950	2199032	CC39400
1915006	JA17950	2013004	CA11050	2199039	CC39300
1917003	JC10800	2013005	CA10750	2199041	CC29250
1918001	JA12700	2015001	CB11000	2199048	CC29200
1918002	JA12750	2099002	CB10800	2210001	BB13750
1918003	JA12800	2099003	CB10050	2210004	BB13800
1918004	JA20800	2099004	CA10350	2211007	BA16000
1918005	JA20500	2099005	CA10000	2212001	BB14550
1919001	JA18700	2099013	CB11150	2212002	BB14600
1919002	JA20550	2112001	BA13250	2212003	BB10500
1919003	JA22350	2112010	BA14950	2212004	BA16200
1975004	JA10450	2113001	BA14150	2212005	BA15200
1999003	JA20250	2113002	BA14100	2212006	BA16050
1999004	JC21450	2113003	BA14550	2212007	BA16100
1999005	JA20000	2113004	BA13500	2212008	BA16150
1999006	JA11650	2114001	BA10050	2213001	BB11200
1999007	JA11300	2114002	BA10050	2213003	BB14100
1999009	JA10850	2114003	BA10800	2213005	BB14300
1999010	JA10700	2114004	DB10000	2213007	BB13900
1999011	JA10900	2117001	BA10400	2213009	BA16350
1999012	JA13000	2118002	BA10600	2213010	BB14050
1999014	JC21500	2175002	BA13950	2213011	BB14250
1999016	JA11700	2175003	HG10600	2213012	BA16400
1999017	JA17400	2199002	BA11450	2213013	BA16450
1999022	JA11100	2199003	BA10800	2215001	BB14500
1999029	JA20150	2199004	BA14250	2215004	BC10100
1999046	JA22250	2199005	BA13900	2275005	BB11100
2010008	BA15500	2199007	BE10000	2299001	BB11050
2010009	CB13200	2199008	BA12050	2299002	BB14000
2010010	CB13250	2199009	BA13050	2299003	BC10000
2011001	CB13150	2199009	BA13250	2299004	BC10050
2012001	CB13300	2199010	BA11800	2299005	BB10000

OEM PART No.	TRP® Part No.	OEM PART No.	TRP® Part No.	OEM PART No.	TRP® Part No.
2299006	BA11400	2412002	MA14450	2599038	FD10450
2299007	BB10250	2412003	MA14250	2599041	FD11200
2299007	BB10750	2412007	MA1655	2599043	FD11300
2299008	BA12400	2413003	MA13550	2599044	FD11350
2299010	BB10050	2413004	MA13500	2599049	FD12400
2299013	BB14150	2413005	MA14850	2610009	AA13100
2299033	BC10150	2413006	MA14650	2610010	AB34750
2299036	BA16550	2414002	MA10000	2610011	AB34800
2299037	BA16600	2417001	MA12050	2610012	AB34650
2299100	FA13700	2475001	MA12750	2610013	AB34700
2310013	BD14700	2475002	MA10250	2610014	TB10350
2312001	BD10800	2499002	MA10200	2610015	TB10400
2313001	BD10550	2499003	MA10400	2610016	TB10450
2313003	BD14900	2499004	MA11100	2611501	AB35300
2318001	BD13350	2499007	MA10100	2611503	AB35000
2318002	BD14300	2499008	MA11650	2611504	AB35150
2375001	BD14050	2499011	MA10150	2611551	AB35200
2399001	BD11050	2499025	MA11000	2611552	AB35350
2399003	BD11050	2499029	MA13650	2611553	AB34900
2399004	BD10150	2499030	MA14800	2611554	AB35050
2399005	BD10750	2499031	MA10600	2611591	AB35250
2399006	BD13400	2499038	MA10500	2611592	AB35400
2399008	BD10400	2499042	MA15250	2611593	AB34950
2399009	BD13550	2499043	MA15350	2621101	AB22200
2399010	BD14200	2499044	MA12350	2621102	AB22250
2399011	BD14250	2499045	MA11400	2621652	AB30200
2399012	BD14850	2499071	MA16350	2622103	AB23100
2399018	BD10350	2512007	FD12250	2622193	AB23300
2399019	BD10350	2575003	FD10250	2799010	UC10250
2399021	BD10050	2575004	FD10350	2799012	UC10150
2410004	MA15850	2575019	FD10400	2799013	AC11700
2411001	MA15000	2599023	FD11150	2799014	AC11750
2411003	MA12800	2599025	FD10150	2799015	AC10650
2411004	MA15950	2599035	FD12350	2799016	AC11900
2411005	MA10650	2599036	FD10000	2799017	AC11950
2411007	MA15050	2599037	FD10200	2799018	AC12000

OEM PART No.	TRP® Part No.	OEM PART No.	TRP® Part No.	OEM PART No.	TRP® Part No.
2799019	AC11850	2899001	VH10550	2999007	UC12950
2799020	AC12050	2899002	VH10600	2999008	UC12950
2799021	AC12100	2899003	VH10900	2999009	UC13550
2799022	AC12150	2899004	VH10950	2999012	UC12400
2799023	AC12200	2899005	VH10650	2999015	UE11000
2799024	AC12250	2899006	VH11000	2999019	VA10750
2799025	AC12300	2899007	AB32550	2999020	VE10150
2799026	AC12350	2899009	AB32650	2999021	UC13250
2799027	AC12400	2899010	AB32600	2999023	UC13150
2799028	AC12450	2899012	AB32400	2999025	UC13350
2799029	AC12500	2899014	AB32750	2999026	UC13400
2799030	AC12550	2899015	VH12650	2999030	VE10550
2799031	AC12850	2899016	VH12350	2999031	LM11300
2799032	AC12950	2899019	VH10950	2999034	VE10250
2799033	AC13000	2899020	VH10300	2999036	AB34450
2799034	AC13050	2899021	VH10350	2999037	AB34500
2799035	AC13100	2899023	VH10450	2999041	VE10300
2799086	GA11900	2899025	VH10750	2999042	AB34350
2799087	AA11500	2899026	AB34550	2999047	VH12850
2799095	TB10250	2899027	AB34600	2999049	VH12950
2799097	TB10300	2899028	VH11450	2999071	UC1425
2799098	TB10050	2899029	VH12000	2999073	UC13800
2799099	TB10100	2899030	VH10500	2999074	UC13850
2799101	AA11950	2899031	VH11400	2999075	UC13900
2799102	VG10850	2899032	VH11150	2999091	JB10300
2799104	EA12850	2899033	VH11200	2999096	UC14100
2799107	AC13150	2899034	UE11150	2999102	UC14400
2799108	AC13200	2899035	UE11100	2999103	UC14450
2799110	AC13250	2899100	VC20000	3099001	LM11500
2799115	AC11800	2899101	VC20050	3099002	LM11600
2799116	AC10900	2899105	VH12300	3099004	LM11450
2799117	AC11100	2899106	VH10150	3099005	LM11400
2799118	AC11150	2999003	UC12800	3099006	LM11350
2799200	VH10250	2999004	UC12850	3099012	VA11700
2799201	VH10200	2999005	UC12250		
2799202	VH11600	2999006	UC13000		

LEECE

Table 13-670: LEECE X-REF

OEM PART No.	TRP® Part No.
1465F	HB11550

MACK

Table 13-671: MACK X-REF

OEM PART No.	TRP® Part No.
101RD41P2	HD10150
1MR3437-P2	BB14500
1MR3462	BC10150
1MX1281	KA13950
1MX41281	KA10950
208-RD-31	KA11400
210RD39303	JA11300
210RD411M	PA12750
210RD412	PB13200
210RD418	PB13400
210RD45A	PB13600
210RD46AM	PA11600
210RD510M	PB13300
210RD54M	PB13300
221RD315	JA11100
221RD315	JA11050
221RD32	JA11650
221RD334	JA17950
221RD335	JA19800
25MF227M	MA10400
2790-220268	BA13950
2790-220300	BA11450
2790-220635	BA10650

OEM PART No.	TRP® Part No.
2790-220635	BA13900
2790-220715	CB11000
2790-275140	HA11250
2790-402529	JA10850
2790-404008	BA11400
2MR2014	CB10050
2MR2014	CB10800
3230-218023	EA10150
3230-224765	HA10600
3230-224765	HA23400
3230-224766	HA10700
4379-RD1-0333-0	MC10500
4379-RD1-0550-0	MC12200
4379-RD1-0615-0	MC12350
4379-RD1-0615-1	MC12350
4379-RD1-0744-0	MC12400
4379-RD2-1156-0	NA11700
4379-RD2-1381-0	NA11800
4379-RD2-1480-1	NA11900
4379-RD2-1510-0	NA11450
4379-RD2-1590-0	NB10300
4379-RD2-1655-0	NB10450
4379-RD3106-14	HC10250
4379-RD3106-15	HC12800
4379-RD3106-9	HC14000
4379-RD3-2557-0	HC13000
4379-RD32670	DA1015
4379-RD4188	CD10000
4379-RD4427-24	BD10750
4379-RD5-3647-0	CA10000
4379-RD5-3748-0	BA13050
4379-RD5-3753-0	HA10700
4379-RD5-4531-24	BD11050
4379-RD5-4583-0	BC10000
4379-RD5-4585-0	BC10050

OEM PART No.	TRP® Part No.
4379-RD5-4640-0	BC10150
4379-RD5-4640-0	BA12400
4379-RD5-4646-0	BC10100
4379-RD5-4694-1	BA12050
4379-RD5-4800-0	MA10200
4379-RD5-5121-0	HB10700
4379-RD5-5223-0	GB11650
4379-RD5-5263-0	HC13450
4379-RD5-5269-0	HA23400
4379-RD5-5308-0	BA10800
4379-RD5-5414-4	DA10100
4379-RD5-5601-0	HC13250
4379-RD5-5614-0	HA17100
4379-RD5-5656-0	HC13500
4379-RD5-6395-0	BB10050
4379-RD5-6526-1	HA10600
4379-RD5-6651-0	HC14300
4379-RD5-6868-0	EA10650
4379-RD5-7015-0	EA10750
4379-RD5-7523-0	VH11500
4379-RD5-7524-0	VH11550
4379-RD5-8201-0	HA23400
4379-RD5-9100-0	HA23400
4379-RD6300	NA10250
7787-525784	GD11500
7787-540021	EA10750
7787-540293	EA10750
7787-650163	BD13550
7787-650639	BA11450
7787-869445	HA23700
793-25149	RD5-8637-0
7979-220268	BA13950
7979-275102	HA17100
7979-360480	HC10500
7979-402352	JA20150
7979-402562	JA10450

OEM PART No.	TRP® Part No.
7979-404028	BD10150
7979-404028	BD10150
7979-404073	EA10200
7979-404098	EA10650
HV21208	MA12750
HV27072	BD10150
HV30644	MA10650
IMX240	KA10400
IMX246	KA10350
IMXA1279	KA10100
IMXA243	KA10200
IMXA3217	KA10850
R9727	PB14000
R9727	PA12450

MARADYNE

Table 13-672: MARADYNE X-REF

OEM PART No.	TRP® Part No.
100012	HD10200

MOTOR PRODUCTS

Table 13-673: MOTOR PRODUCTS X-REF

OEM PART No.	TRP® Part No.
100012	HD10200

MURRAY

Table 13-674: MURRAY X-REF

OEM PART No.	TRP® Part No.
200026	AA10650
201029	AE10450
207006	AC10650
207010	AC11100
207012	AC11150
207068	BB10000
207073	BB11100
207074	BA11400
207076	BC10050
207338	EA10650
207419	BA10650
207421	HG10600
207500	BD10350
207501	BD10150
207503	BD10350
207513	BD11050
207524	BD14200
207530	BD14050
207583	CD10000
207600	BA12450
208117	JA10300
208316	JA10850
208455	JA11300
208480	JA13250
208497	JA13050
208905	HB11550
208995	HA10700
209101	HC12800
209576	LA12650
209577	VH11050
258104	RD5-8637-0
274224	KA10400
274231	KA10850

OEM PART No.	TRP® Part No.
274234	KA11400
274247	KA11900
274264	KC10100
277813	MA12750
277814	MA10650

OGURA

Table 13-675: OGURA X-REF

OEM PART No.	TRP® Part No.
220417	BA13250
332639	KA13950
501939	KA10400
501939	KA10400
502393	KA10450
502400	KA10100
502409	KA10950
502731	KA10850
502736	KA11400
502738	KA11900
502740	KA10200
502742	KA10350
508821	KC10100
508888	KA14600
511489	KA10800
511869	KA10550
515376	KA14850
515528	KA14900
518199	KA10250
518521	KA14100
520226	KA14800
522582	KA15250
522583	KA15350

OEM PART No.	TRP® Part No.
522584	KA14050
525205	KA14000

PARKER

Table 13-676: PARKER X-REF

OEM PART No.	TRP® Part No.
248107	JA10450
249099	JA20150
1720214	EA10650
031-131-11	EA14100
031134-129	EA13000
031134-25	EA14500
040138-123	EA10650
040138-136	329-456P
040138-138	EA10900
085098-00	JA20000
085108-00	BB10000
085167-01	UC10250
085220-00	UC10150
088038-01	JA11650
088048-00	JA13250
088056-00	JA13000
088056-02	JA13000
088056-02	JC10850
088079-00	JA13050
088116-00	JA12700
088133-00	JA11350
088175-00	JA18700
088184-00	JA1755
088193-00	JA17900
088200-00	JA17400
088214-00	JA12750

OEM PART No.	TRP® Part No.
088215-02	JA17550
088228-00	JA20250
088268-00	JA17950
088281-01	JA17400
088282-00	JA17400
088285-01	JA20550
088293-00	JA17950
088294-00	JA19800
088324-00	GD11350
088335-00	JA18850
088336-00	JA20200
088341-00	JA20350
088343-01	JA22350
088360-00	JA10850
088378-00	JA19600
088423-00	JA18500
088423-01	JA11700
088446-00	JA22150
088485-00	JA20500
088491-00	JA20800
088492-00	JA12800
329-456	329-456P
329-474	EA14400
700001-S	JC10800
V404P-6-6	MA12350
V405P-6-6	MA15000
V405P-6-8	MA15350
V409-10-8	MA15250
VSSV404P-10-8	MA14850
VSSV404P-12-8	MA14650

PETERBILT

Table 13-677: PETERBILT X-REF

OEM PART No.	TRP® Part No.
18-01210	KA10400
18-01210	KA10400
18-01212	KA11400
18-01214	KA10100
18-01800	JA13000
18-01843	KA10850
18-01866	KA10350
18-02074	PA12000
18-02346	JA13000
18-02346	JA13000
18-03163	BA12500
18-03285	BB10050
18-03837	JC10800
18-04275	EA10650
5X010061	EC10250
ET210L-25076C	KA1095
P93CAA0300-01S	HA18250
P93CAB0400-01S	HC16250
P93CAB2500	EC10100
P93CAB2500-01S	EC10150
P93CAC3900-02S	EA14500
RD4-3724-0	PB10250

PITTS

Table 13-678: PITTS X-REF

OEM PART No.	TRP® Part No.
7551	KA10400
7928	KA12000
7931	KA10950

OEM PART No.	TRP® Part No.	OEM PART No.	TRP® Part No.	OEM PART No.	TRP® Part No.
10582	KA10850	70R3001	AB21450	71R0260	BE10100
10586	KA10450	70R3006	AE10450	71R0300	BE10050
10591	KA11400	70R3008	AE10400	71R0350	BA13200
10593	KA11900	70R3500	UC10250	71R0400	BE10000
10595	KA10200	70R3550	UC10100	71R0400	BE10000
10761	KA10100	70R3590	UC10150	71R0450	BA12050
10765	KA10400	70R4106	AB22200	71R0450	BA13900
11153	KA10350	70R4108	AB22250	71R0453	BA10050
11947	KC10100	70R4201	AB23100	71R0460	BA10050
14190	KA10950	70R4202	AB23150	71R0470	BA14550
14192	KA10400	70R4206	AB23000	71R0500	BA12950
14193	KA10350	70R4208	AB23050	71R0550	BA12600
14194	KA14800	70R4291	AB23300	71R0600	BA10400
14195	KA14850	70R4292	AB23350	71R1150	BA10650
14196	KA14900	70R4296	RD5-12043-0P	71R1200	HG10600
14261	KA10400	70R4298	AB23250	71R1210	BA11450
14262	KA10950	70R5010	VH10250	71R1300	CC10200
14304	KA14100	70R5051	AC11100	71R1310	CC10150
14372	KA14050	70R5051	AC11950	71R1450	CA10000
14432	KA14000	70R5052	AC11150	71R1455	CA10200
14437	KA15250	70R5052	AC12000	71R1457	CA10350
14533	KA15300	70R5056	AC10650	71R1610	BA10800
14565	KA15350	70R5056	AC11800	71R1652	CB10250
14191-3	KA14600	70R5058	AC10900	71R1654	CB10650
		70R5058	AC11900	71R1702	CB10050
		70R5100	AE10000	71R1702	CB10800
		70R5110	VH11450	71R1702	CB11150
		70R5115	VH12000	71R1704	CB10750
		70R5120	VH11150	71R1802	CB10100
		70R5125	VH11200	71R1902	CB10700
		71R0010	BA13250	71R2100	BD14050
		71R0020	BA13150	71R2200	BD10050
		71R0050	BA13050	71R2200	BD14300
		71R0100	BA13250	71R2250	BD10150
		71R0150	BE10250	71R2300	BD10350
		71R0250	BA10300	71R2500	BD10400

REDDOT AFTERMARKET

Table 13-679: REDDOT AFTERMARKET X-REF

OEM PART No.	TRP® Part No.
70R0200	BA12200
70R2206	UC11700
70R2301	AE10250
70R2306	AE10300

OEM PART No.	TRP® Part No.	OEM PART No.	TRP® Part No.	OEM PART No.	TRP® Part No.
71R2600	BD14250	71R8080	EA13000	72R2550	GB10100
71R2700	BD14200	71R8080	EA14100	72R2600	GB12250
71R2800	BD10550	71R8090	EA14500	72R3000	GB12300
71R3100	BD10750	71R8100	EA10200	72R3050	GB10150
71R3150	BD10800	71R8100	EA12300	72R3100	GB11850
71R3160	BD13550	71R8150	EA10300	72R3110	GB11650
71R3200	BD11050	71R8210	EA10550	72R3200	GB10450
71R4030	FD10200	71R8300	EA10650	72R3510	GA12000
71R4040	FD10750	71R8301	EA10650	72R3530	GA12100
71R4050	FD10350	71R8320	EA10750	72R3550	GA11700
71R4100	FD11150	71R8330	329-456P	72R5050	MA12750
71R4500	FA13700	71R8370	329-456P	72R5060	MA10600
71R6020	BB11800	71R8400	EA10900	72R5080	MA13400
71R6030	BB11050	71R8405	EA13050	72R5200	MA11000
71R6040	BB10050	71R8410	EA12550	72R5210	MA10450
71R6050	BB10000	71R8440	EA14150	72R5230	MA10650
71R6060	BB11200	71R8500	EC10100	72R5260	MA12050
71R6070	BB10250	71R8505	EC10150	72R5260	MA12850
71R6070	BB10750	71R9002	CD10000	72R5270	MA12700
71R6070	BB14050	72R0050	BA12250	72R5500	MA12800
71R6080	BA12500	72R0070	BB10100	72R5600	MA11400
71R6090	BB11250	72R0210	BA12150	72R5610	MA14650
71R6100	BB11100	72R0240	BA12350	72R6050	MA10200
71R6110	BB10500	72R0500	BA12550	72R6400	MA10200
71R6120	BB10800	72R1100	DA10150	72R6410	MA10500
71R6130	BB10850	72R1200	DA10100	72R9020	AA11100
71R6300	BA11400	72R1210	DA10050	73R0042	HA18250
71R7000	BC10100	72R1300	DA10350	73R0212	HB16100
71R7050	BC10150	72R1310	DA10000	73R0402	HA10600
71R7075	BB14550	72R1502	BA12450	73R0422	HA10700
71R7500	BC10050	72R2000	GB11950	73R0422	HA11250
71R7550	BC10000	72R2100	GB12200	73R0452	HA10700
71R7600	BA12650	72R2110	GA12050	73R0522	HA15200
71R7650	BA12400	72R2130	GB12100	73R0552	HA15950
71R7650	BA12400	72R2140	GB10000	73R0612	HB17500
71R8050	EA10050	72R2250	GB10050	73R0702	HA11550
71R8080	EA10150	72R2300	GB10400	73R0912	HA18350

OEM PART No.	TRP® Part No.	OEM PART No.	TRP® Part No.	OEM PART No.	TRP® Part No.
73R0932	HA23400	73R7151	HC13000	74R3306	JA13000
73R1012	HA16050	73R8050	HC10900	74R3306	JA13050
73R2232	HA19900	73R8080	HC13350	74R3310	JA20200
73R3002	HA18700	73R8100	HC13100	74R3326	JA18850
73R3032	HA18300	73R8110	HC13050	74R3336	JA20550
73R3052	HA21700	73R9052	HD10150	74R3356	GD11350
73R3062	HA21550	73R9072	HD10150	74R3376	JA22350
73R3106	JA20500	74R0756	JC21150	74R3450	JA13250
73R3452	KA10350	74R0906	JA10450	74R3450	JA19600
73R4062	HA17100	74R0906	JA20000	74R3466	JA17950
73R4102	HB11550	74R1706	JA10700	74R3476	JA19600
73R4162	HA19900	74R1756	JA10850	74R5061	JC10800
73R4162	HB10300	74R1806	JA10900	74R7210	JA18400
73R4182	HB10500	74R1866	JA18950	74R7220	HE11100
73R4202	HB10550	74R1906	JA11050	74R8006	JD10050
73R4204	HB10600	74R1956	JA11100	75R0182	KA10550
73R4252	HB10700	74R2001	JA22250	75R0222	KA10250
73R4422	HB10850	74R2106	JA11300	75R0302	KA10950
73R4424	HA19050	74R2256	JA11300	75R0402	KA14600
73R4504	HB11050	74R2306	JA11350	75R0452	KA13950
73R4532	HB16600	74R2536	JA18500	75R0612	KA14800
73R4602	HB11200	74R2556	JA11650	75R0662	KA14850
73R6050	HC14000	74R2556	JA11700	75R1202	KA10400
73R6051	HC14000	74R2576	JA19000	75R1302	KA15250
73R6100	HC11050	74R2586	JA11750	75R1342	KA14900
73R6150	HC10250	74R2596	JA11800	75R1402	KA12000
73R6230	HC13450	74R2606	JA17900	75R1652	KA10850
73R6250	HC16200	74R2666	JA17550	75R1802	KA11400
73R6253	HC14050	74R2676	JA18700	75R2102	KA11900
73R6270	HC16250	74R2706	JA13000	75R2402	KA10200
73R6370	HC13250	74R3066	JA12700	75R3002	KA10450
73R6381	HC14300	74R3076	JA19800	75R4052	KC10100
73R7110	HC13600	74R3106	JA12750	75R4652	KA10100
73R7120	HC13550	74R3106	JA12800	75R5500	VH11650
73R7130	HC12800	74R3136	JA18900	75R5520	AC12850
73R7130	HC10500	74R3146	JA17400	75R5540	VH11800

OEM PART No.	TRP® Part No.	OEM PART No.	TRP® Part No.	OEM PART No.	TRP® Part No.
75R5550	VH11050	75R6040	KB10150	76R6500	NA11950
75R5560	VH11500	75R7200	RD5-8637-0	76R6700	NA11700
75R5570	VH11550	75R7250	RD5-8637-0	76R6850	NC10000
75R5575	VH13050	75R7280	RD5-8637-0	76R6950	NA11800
75R5601	LA12700	75R8292	LE1000	76R6960	NA10050
75R5618	LA12650	75R8382	4664SAN	76R7010	NB10050
75R5621	LA12500	75R8384	4271SAN	76R7500	NB10250
75R5628	LA12300	75R8762	LE4815	76R7510	NB10450
75R5641	AB32250	76R1100	MC11450	77R0350	PB14000
75R5648	AB32200	76R1900	MC12350	77R0350	PA12450
75R5651	AB31500	76R2000	MC12350	77R0500	PB10450
75R5651	AB3150	76R2300	MC10500	77R0530	PB10750
75R5658	AB31450	76R2320	MC12550	77R0560	PA11600
75R5658	AB3145	76R2350	MC10600	77R0620	PA12050
75R5681	AB32000	76R2450	MC11750	77R0650	PB10250
75R5688	AB31950	76R2500	MC12150	77R0670	PA11850
75R5691	AB31900	76R2600	MC10150	77R0700	PA11950
75R5698	AB31850	76R2700	MC10900	77R0900	PA11900
75R5700	AB20900	76R2730	MC12450	77R0950	PB10300
75R5711	AB31300	76R3250	MC10250	77R0950	PA14500
75R5718	AB31250	76R3400	MC10950	77R1100	PB10550
75R5731	AB32350	76R3450	MC10650	77R1100	PA14450
75R5738	AB32300	76R3460	MC11000	77R1290	PB13900
75R5761	AB34050	76R3900	MC11600	77R5250	PB11050
75R5768	AB34000	76R3910	MC11800	77R5910	PB10900
75R5801	AB33250	76R3930	MC12400	77R6800	PB10500
75R5808	AB33200	76R5000	NA11450	77R7800	PB10850
75R5819	VH10650	76R5500	NA11100	77R7900	PA12000
75R5820	VH10600	76R6100	NA11350	77R8100	PA11500
75R5824	VH11000	76R6140	NB10300	77R9000	HE11500
75R5825	VH10950	76R6150	NA10400	77R9015	UN10250
75R5827	VH10900	76R6180	NA11900	78R0040	AA11800
75R5829	VH10550	76R6300	NA10250	78R0200	AA11400
75R6000	HE11200	76R6310	NA10950	78R0250	AA11450
75R6010	HE11850	76R6350	NA12300	78R0300	GA11900
75R6015	VD10350	76R6400	NA12350	78R0350	AA11500

OEM PART No.	TRP® Part No.	OEM PART No.	TRP® Part No.	OEM PART No.	TRP® Part No.
78R0400	AA11200	RD1-0615-1	MC12350	RD3106-14	HC10250
78R0406	AA10650	RD1-0650-0	MC10250	RD3106-9	HC14000
79R0020	UE11100	RD1-0665-0	MC11750	RD3133-9	HC10900
79R1100	BD15500	RD1-0680-0	MC11600	RD3196-1	GA12000
79R3000	UC11200	RD1-0700-0	MC11800	RD3196-3	GA12100
79R3210	AB34450	RD1-0715-0	MC11000	RD3196-5	GA11700
79R4010	RD5-11118-0P	RD1-0744-0	MC12400	RD3-2557-2	HC13000
79R4400	UE11000	RD1-0746-0	MC12450	RD3267-0	DA1015
79R4550	LM10150	RD1-0755-0	MC12550	RD3267-1	DA10150
79R4580	LM11400	RD2-0750-0	AE10450	RD3-2788-2	DA10300
79R4600	VC20000	RD2-0861-0	AE10400	RD3-2788-3	DA10300
79R4605	VC20050	RD2-0993-1	NB10650	RD3-2788-6	DB10200
79R4610	VC20050	RD2-1051-0	NA11950	RD3312-0	NA12350
79R4655	VA11650	RD2-1121-0	NA10250	RD3-3454-0	JA18400
79R4700	LM10300	RD2-1137-2	NA11350	RD4120-0	FD11150

REDDOT OEM

Table 13-680: REDDOT OEM X-REF

OEM PART No.	TRP® Part No.	OEM PART No.	TRP® Part No.	OEM PART No.	TRP® Part No.
RD1-0147-1	MC10150	RD2-1156-0	NA11700	RD4123-1	BA13250
RD1-0297-0	MC10900	RD2-1195-0	NA11100	RD4125-36	BD10150
RD1-0325-0	MC11900	RD2-1272-0	NA10950	RD4125-48	BD10350
RD1-0333-0	MC10500	RD2-1316-0	NA12300	RD4126-1	EA10050
RD1-0355-0	MC11450	RD2-1381-0	NA11800	RD4151-1	BA12950
RD1-0355-2	MC11950	RD2-1402-0	NA10400	RD4151-2	BA12600
RD1-0355-5	MC12650	RD2-1480-1	NA11900	RD4151-4	BA10400
RD1-0388-0	MC10950	RD2-1485-0	NC10000	RD4156-108	AA11500
RD1-0460-1	MC12150	RD2-1495-0	AB21450	RD4160-1	JA11300
RD1-0520-0	MC10650	RD2-1510-0	NA11450	RD4160-2	JA11300
RD1-0550-0	MC12200	RD2-1555-0	NB10250	RD4181-0	FD10350
RD1-0574-0	MC10600	RD2-1590-0	NB10300	RD4186-0	AE10250
RD1-0615-0	MC12350	RD2-1610-0	NB10050	RD4187-0	AE10300
		RD2-1633-0	NA12000	RD4188-0	CD10000
		RD2-1655-0	NB10450	RD4191-0	BB10000
		RD2-1658-0	NB10600	RD4220-0	HE11100
		RD2-1755-0	NB10350	RD4225-1	BE10250
		RD2-2502-0	NA10050	RD4225-2	BE10050
		RD3-10538-0	HB16600	RD4226-0	BD14200
		RD3106-10	HC11050	RD4257-0	MA12750
		RD3106-12	HA15950	RD4-3372-3	PB10500

OEM PART No.	TRP® Part No.	OEM PART No.	TRP® Part No.	OEM PART No.	TRP® Part No.
RD4340-0	GB10400	RD5-10346-0	HC12800	RD5-3780-0	HB11550
RD4-3434-1	PB11200	RD5-10395-0	HA18300	RD5-3800-0	HC16200
RD4-3508-0	HC13050	RD5-10434-0	JA22250	RD5-3800-1	HC16200
RD4-3586-0	PB14000	RD5-10497-0	LE4815	RD5-3824-1	EA10200
RD4-3586-0	PA12450	RD5-10501-0	HA21550	RD5-3826-0	BA12300
RD4-3682-0	PB11050	RD5-10502-0	HA21700	RD5-3827-0	BA12200
RD4-3683-2	PA12000	RD5-10583-0	JA17550	RD5-3827-1	BA12150
RD4370-0	CB10250	RD5-10586-0	JA18850	RD5-3827-4	BA12350
RD4-3714-0	PB10900	RD5-10734-0	EA14500	RD5-3827-6	BA13550
RD4-3722-0	PB10850	RD5-10746-0	HA16050	RD5-3827-9	BA12750
RD4-3723-0	PA11500	RD5-10753-0	HC14050	RD5-3843-0	JA11650
RD4-3724-0	PB10250	RD5-10927-0	JC10800	RD5-3843-1	JA11700
RD4-3874-1	PB13950	RD5-3593-0	JA10850	RD5-3846-0	GB10450
RD4-3916-0	PB10300	RD5-3593-1	JA10700	RD5-3923-0	BA13050
RD4-3916-0	PA14500	RD5-3596-0	GB10150	RD5-3927-108	AA11200
RD4-3917-0	PB10550	RD5-3597-0	GB10050	RD5-3930-108	GA11900
RD4-3917-0	PA14450	RD5-3599-0	BA10300	RD5-3940-0	VH11050
RD4-3945-0	PA11950	RD5-3646-0	BA10650	RD5-3941-0	VH11650
RD4-4144-2	PB10700	RD5-3647-0	CA10000	RD5-3988-0	BA13200
RD4-4161-0	PA11900	RD5-3693-1	LA12650	RD5-4017-017	AC11150
RD4-4232-0	PA11600	RD5-3694-1	LA12700	RD5-4017-017	AC12000
RD4427-17	BD13400	RD5-3698-0	AC12850	RD5-4058-360	UE11000
RD4427-24	BD10750	RD5-3702-0	GB12250	RD5-4233-24	HB11050
RD4430-0	BD10400	RD5-3709-0	GB12200	RD5-4283-0	BA10350
RD4430-0	BD10400	RD5-3725-0	AA10650	RD5-4284-0	BA10500
RD4-4400-0	PB10750	RD5-3728-0	AC10650	RD5-4287-0	CB10650
RD4-4414-0	PA11850	RD5-3728-0	AC11800	RD5-4302-0	FD10200
RD4-4738-0	PA12050	RD5-3729-0	AC10900	RD5-4408-0	CB10050
RD4527-0	BA11400	RD5-3729-0	AC11900	RD5-4408-0	CB10800
RD5-0060-0	BA12450	RD5-3730-0	AC11100	RD5-4408-0	CB11150
RD5-0071-0	BE10000	RD5-3730-0	AC11950	RD5-4417-0	CB10750
RD5-10056-0	BA10050	RD5-3748-0	BA13250	RD5-4475-0	BA12250
RD5-10333-0	EA14150	RD5-3753-0	HA10700	RD5-4528-0	UC11700
RD5-10336-0	HA18250	RD5-3757-12	HB10550	RD5-4531-24	BD11050
RD5-10337-0	HB17500	RD5-3757-24	HB10600	RD5-4575-0	HD10150
RD5-10341-0	CA10350	RD5-3758-0	GB10100	RD5-4583-0	BC10000

OEM PART No.	TRP® Part No.	OEM PART No.	TRP® Part No.	OEM PART No.	TRP® Part No.
RD5-4585-0	BC10050	RD5-4950-0	JA20000	RD5-5198-0	AB3150
RD5-4620-0	BA12650	RD5-4955-0	JA13000	RD5-5215-0	MA13400
RD5-4621-0	FA13700	RD5-4959-0	JA13250	RD5-5223-0	GB11650
RD5-4625-0	BA12400	RD5-4959-0	JA19600	RD5-5223-1	GB11850
RD5-4632-0	JA11100	RD5-4966-0	KA10950	RD5-5230-0	HA15200
RD5-4632-1	JA11050	RD5-4966-0	KA14600	RD5-5263-0	HC13450
RD5-4640-0	BC10150	RD5-4967-0	KA13950	RD5-5300-0	MA11000
RD5-4646-0	BC10100	RD5-4972-0	KA10400	RD5-5300-1	MA10450
RD5-4661-0	EA10300	RD5-4975-0	KA10850	RD5-5302-1	BA14550
RD5-4680-0BLK	AA11800	RD5-4976-0	KA11400	RD5-5308-0	BA10800
RD5-4693-0	CN1270	RD5-4978-0	KA11900	RD5-5396-0	AB31250
RD5-4694-1	BA12050	RD5-4980-0	KA10200	RD5-5397-0	AB31300
RD5-4694-1	BA13900	RD5-4984-0	KA10450	RD5-5400-0	BE10100
RD5-4704-1	BA12850	RD5-4987-0	KA10350	RD5-5401-0	VH11800
RD5-4727-0	JA11750	RD5-4991-0	KC10100	RD5-5403-0	HE11500
RD5-4727-1	JA11800	RD5-4995-0	KA10100	RD5-5414-4	DA10100
RD5-4747-0	BA12550	RD5-4997-0	AB20900	RD5-5424-1	DA10350
RD5-4800-0	MA10200	RD5-5027-1	CB10100	RD5-5445-0	RD5-8637-0
RD5-4813-0	UC10150	RD5-5031-0	HE11200	RD5-5476-0	GB11950
RD5-4825-19	VC10400	RD5-5032-0	HE11850	RD5-5489-0	KA12000
RD5-4833-0	BB11050	RD5-5049-1	HB10850	RD5-5495-0	MA12050
RD5-4834-0	JA13000	RD5-5049-2	HA19050	RD5-5495-1	MA12850
RD5-4834-0	JA13050	RD5-5119-0	MA10600	RD5-5495-2	MA12700
RD5-4903-0	UC10250	RD5-5121-0	HB10700	RD5-5512-0	HA18350
RD5-4904-0	UC10100	RD5-5122-108	AA11400	RD5-5520-0	GB12100
RD5-4905-0	VH10250	RD5-5123-108	AA11450	RD5-5538-0	BB10100
RD5-4908-0	HG10600	RD5-5190-0	HA19900	RD5-5552-0	GB10000
RD5-4909-0	BD14050	RD5-5190-0	HB10300	RD5-5571-0	JA10900
RD5-4910-0	BD10050	RD5-5192-0	MA12800	RD5-5575-0	LE1000
RD5-4911-0	BD14250	RD5-5193-0	MA11400	RD5-5583-0	JA17900
RD5-4912-0	BB11100	RD5-5194-0	BA11450	RD5-5589-0	JA12700
RD5-4917-0	BD10550	RD5-5195-0	LA12300	RD5-5601-0	HC13250
RD5-4919-0	EC10100	RD5-5196-0	LA12500	RD5-5614-0	HA17100
RD5-4927-0	HA11550	RD5-5197-0	AB31450	RD5-5620-0	UC11200
RD5-4949-0	JC21150	RD5-5197-0	AB3145	RD5-5656-0	HC13500
RD5-4950-0	JA10450	RD5-5198-0	AB31500	RD5-5721-0	BA14500

OEM PART No.	TRP® Part No.	OEM PART No.	TRP® Part No.	OEM PART No.	TRP® Part No.
RD5-5784-5	DA10050	RD5-6651-1	HC14300	RD5-7447-0	AB23100
RD5-5837-0	HB11200	RD5-6690-0	CB10700	RD5-7448-0	AB23300
RD5-5859-0	LM10300	RD5-6713-0	BA13150	RD5-7467-0	AB23150
RD5-5862-0	EA10150	RD5-6780-0	EA12550	RD5-7468-0	AB23350
RD5-5862-0	EA13000	RD5-6801-0	HB10500	RD5-7517-0	JA18900
RD5-5862-0	EA14100	RD5-6804-0	BA10050	RD5-7517-1	JA22350
RD5-5872-0	BD15500	RD5-6833-0	BB10800	RD5-7523-0	VH11500
RD5-5873-0	BB10250	RD5-6834-0	BB10850	RD5-7524-0	VH11550
RD5-5873-0	BB10750	RD5-6868-0	EA10650	RD5-7539-0	AB33200
RD5-5873-0	BB14050	RD5-6868-1	EA10650	RD5-7562-0	JA12750
RD5-5874-0	CC10200	RD5-6970-0	HC13600	RD5-7562-0	JA12800
RD5-5877-0	BB11200	RD5-6970-1	HC13550	RD5-7563-0	JA19600
RD5-5887-0	HD10150	RD5-6996-0	KA10250	RD5-7567-0	329-456P
RD5-5901-0	AA11100	RD5-7013-0	AB34450	RD5-7568-0	JA18700
RD5-5916-0	LM10150	RD5-7015-0	EA10750	RD5-7570-0	JD10050
RD5-5928-0	FD10750	RD5-7018-0	RD5-11118-0P	RD5-7611-0	HA18700
RD5-6017-0	GB12300	RD5-7021-0	JA17550	RD5-7613-0	AB32200
RD5-6028-1	DA10000	RD5-7061-0	JA18500	RD5-7614-0	AB32250
RD5-6098-0	AE10000	RD5-7061-0	JA19000	RD5-7663-0	HC10100
RD5-6099-0	EA10550	RD5-7063-0	JA18950	RD5-7688-0	AB34000
RD5-6394-0	BA12500	RD5-7088-0	4664SAN	RD5-7690-0	AB34050
RD5-6395-0	BB10050	RD5-7089-0	4271SAN	RD5-7760-2	MA10650
RD5-6396-0	BB11250	RD5-7103-0	LM11400	RD5-7966-0	AB31950
RD5-6397-0	BB11800	RD5-7106-0	UE11100	RD5-7967-0	AB32000
RD5-6404-0	329-456P	RD5-7123-0	HC13350	RD5-8008-0	JA20200
RD5-6429-0	BD10800	RD5-7155-0	EA10900	RD5-8009-0	KA14800
RD5-6430-0	BB10500	RD5-7292-0	JA20550	RD5-8201-1	HA23400
RD5-6450-0	CA10200	RD5-7297-0	HC13100	RD5-8241-0	JA19800
RD5-6504-0	JA11350	RD5-7310-0	AB33250	RD5-8254-0	GD11350
RD5-6526-0	HA10700	RD5-7355-0	JA17400	RD5-8292-0	VH13050
RD5-6526-1	HA10600	RD5-7392-0	AB23000	RD5-8330-0	MA14650
RD5-6547-0	KB10150	RD5-7393-0	RD5-12043-0P	RD5-8333-0	HC10500
RD5-6555-0	GA12050	RD5-7394-0	AB22200	RD5-8433-0	BB14550
RD5-6567-0	JA17950	RD5-7417-0	AB23050	RD5-8490-0	BA10800
RD5-6602-0	CC10150	RD5-7418-0	AB23250	RD5-8592-0	HB16100
RD5-6646-0	KA10550	RD5-7419-0	AB22250	RD5-8618-0	HC14000

OEM PART No.	TRP® Part No.
RD5-8637-0	RD5-8637-0
RD5-8804-0	MA10200
RD5-8805-0	HA19900
RD5-8850-0	VH10650
RD5-8851-0	VH10600
RD5-8859-0	MA10500
RD5-8938-0	BD13550
RD5-8947-0	HC16250
RD5-8958-0	VC20000
RD5-8959-0	VC20050
RD5-8960-0	VC20050
RD5-9082-0	EC10150
RD5-9084-0	VH12000
RD5-9100-0	HA23400
RD5-9456-0	KA15250
RD5-9515-0	JA18700
RD5-9809-0	VH11150
RD5-9810-0	VH11200
RD5-9813-0	AB31850
RD5-9814-0	AB31900
RD5-9815-0	VH11000
RD5-9816-0	VH10950
RD5-9817-0	VH10900
RD5-9818-0	VH10550
RD5-9910-0	AB32300
RD5-9956-0	AB32350
RD5-9988-0	VH11450
RD9-1150-0	VD10350

OEM PART No.	TRP® Part No.
2404V017	BA11400
435-012	HC13050
435-017	EA10650

OEM PART No.	TRP® Part No.
488-46030	103-56030
624-19724	KA10250

SANDEN

Table 13-682: SANDEN X-REF

OEM PART No.	TRP® Part No.
5424	LE1000
5429	LE1000
9515	LE1000
9568	LE1000
92853	LE1180
4506/ 6665	4271SAN
4510/ 6664	4664SAN
4546/ 4815/ 4481	LE4815
4603 / 4469	LE4603
4695-9931	KA4426
6521-6010	KA12000

TRUCK AIR

Table 13-684: TRUCK AIR X-REF

OEM PART No.	TRP® Part No.
01-2000	HB10300
01-2002	HA11550
10-2009	MA14450
01-2012	HA17100
12-2012	EA10650
10-2013	MA14250
01-2014	HB10400
01-2014	HB10500
11-2017	BB14150
11-2018	BB11200
01-2021	HA15200
11-2027	BB10250
11-2027	BB10750
11-2028	BB11050
11-2033	BA12050
02-2034	KA10550
11-2034	BA10800
11-2035	BA11800
11-2039	BA10050
10-2057	MC10300
04-2455	PB13000
05-2600	NA10250
11-2600	BA13050
11-2601	BA13250
04-2602	PB10500

SELTEC

Table 13-683: SELTEC X-REF

OEM PART No.	TRP® Part No.
488-45011	103-55011
488-45021	LF1040
488-45077	103-55077

RUMPHILL

Table 13-681: RUMPHILL X-REF

OEM PART No.	TRP® Part No.
38523	KA10400

OEM PART No.	TRP® Part No.	OEM PART No.	TRP® Part No.	OEM PART No.	TRP® Part No.
10-2602	MA10200	11-2625	BC10050	11-3002	CB11150
11-2602	BA12950	11-2626	FA13700	12-3002	EC10750
05-2603	NA11100	05-2627	NA10400	02-3003	KA10350
10-2603	MA10500	11-2627	BA12400	02-3003	KA10400
11-2604	BA10400	11-2628	BA12650	02-3004	KA10200
11-2605	BA10300	11-2630	BC10150	03-3004	RD5-8637-0
01-2607	HB11050	11-2631	BC10100	11-3004	CB10750
01-2608	HB10850	04-2632	PA12000	02-3005	KA10450
11-2608	BE10250	04-2633	PB10900	03-3005	LE1000
11-2609	BE10050	05-2633	NB10450	10-3006	MA10600
01-2610	HA10700	04-2636	PB10250	02-3007	KA10850
11-2610	BE10000	11-2642	BA12500	01-3008	HA15950
07-2611	JA11050	04-2644	PB14000	02-3008	KA12000
11-2611	BA10650	04-2644	PA12450	11-3008	CB11000
01-2613	HA23400	11-2645	CC10150	02-3009	KA11400
05-2613	NB10250	11-2648	CB10650	08-3009	AE10450
07-2613	JA11750	05-2650	NA10050	01-3010	HA15750
11-2613	CA10000	10-2650	MC10150	11-3010	BB10000
02-2614	NA11450	11-2650	BD10400	01-3011	HA10600
07-2614	JA11800	10-2651	MC10950	11-3012	BB11100
05-2616	NA11700	11-2652	BB10800	11-3013	BA11400
07-2616	JA10900	11-2653	BB10850	12-3013	EA10050
05-2617	NA11800	10-2656	MC11600	01-3014	HD10150
05-2619	NA10950	10-2657	MC12350	02-3015	KA10100
07-2619	JA11700	10-2659	MC10250	12-3015	EA12850
10-2619	MA11000	11-2660	CB10100	12-3016	CD10000
11-2619	BA13150	10-2662	MC10600	12-3017	EA10200
05-2620	NA12300	04-2671	PA11900	12-3020	EA10550
10-2620	MA10450	08-2680	BA10500	02-3023	KA14600
01-2621	HA19050	11-2682	BA10350	02-3026	KA10950
05-2621	NC10000	10-3000	MA10650	01-3032	HB10700
05-2622	NA11900	01-3001	HB11550	01-3034	HB10550
05-2623	NA11950	02-3001	KA13950	02-3034	KA10250
10-2623	MA12850	10-3001	MA12750	01-3035	HB10600
10-2624	MA12700	11-3002	CB10050	10-3050	MA12800
11-2624	BC10000	11-3002	CB10800	11-3050	BA13900

OEM PART No.	TRP® Part No.	OEM PART No.	TRP® Part No.	OEM PART No.	TRP® Part No.
03-3051	HE11200	08-3355	AB32900	08-8944	AB32400
11-3052	HG10600	08-3356	AB32950	01-0207	HA19100
08-3053	AB31250	08-3360	AB33050	01-0600	HA19950
11-3053	BA11450	02-3402	KA10400	01-0604	HA18700
08-3054	AB31300	03-3405	4271SAN	01-0609	HA21550
11-3054	BA13950	02-3426	KA10950	01-0811	HA11250
10-3055	MA11400	08-3481	AB31950	01-0812	HA11550
11-3055	BA12600	08-3482	AB32000	01-0814	HA19900
08-3069	AE10400	08-3483	AB31850	01-0815	HA19900
08-3070	AB20900	08-3484	AB31900	01-0815	HA18350
10-3070	MA15050	08-3485	AB31650	01-0816	HA18350
11-3075	BD10350	08-3486	AB31700	01-1000	HB15700
08-3076	AB33300	08-3491	AB32200	01-1001	HB16100
11-3076	BD10150	08-3492	AB32250	01-1002	HA16050
11-3077	BD10050	08-3493	AB32300	01-1400	HB11200
11-3079	BD14250	08-3494	AB32350	01-1401	HA18250
11-3085	BD14050	09-4200	AA11400	01-1603	HA18300
10-3090	MA14650	09-4250	AA11450	02-0802	KA10950
11-3091	BD14200	09-4300	GA11900	02-0804	KA14800
11-3093	BD10550	09-4350	AA11500	02-0805	KA14850
11-3094	BD11050	09-5006	AA10650	02-0806	KA14900
11-3095	BD14700	08-8038	AB33200	02-1600	KA11900
07-3097	UC10100	08-8040	AB33250	02-1605	KC10100
07-3098	UC10150	08-8057	AE10000	03-3004E	RD5-8637-0
08-3099	AB21450	08-8130	AE10300	03-3033E	KA1040
08-3140	P137957	08-8131	AE10250	03-5016A	VH12700
08-3149	AB31350	08-8313	VH10750	04-0601	PA10050
08-3150	AB31400	08-8400	VH10900	04-0601	PB10550
08-3151	AB31450	08-8401	VH11000	04-0607	PA15600
08-3152	AB31500	08-8402	VH10950	04-1205	PA12750
08-3155	AB31550	08-8410	VH11100	04-1402	PA10300
08-3156	AB31600	08-8490	VH10550	04-1601	PB10300
08-3249	LA12300	08-8491	VH10650	05-1007	NA10500
08-3250	LA12500	08-8492	VH10600	07-0101	JA20150
08-3349	LA12650	08-8920	AB32600	07-0414A	JA20550
08-3350	LA12700	08-8942	AB32750	07-0415A	JA20650

OEM PART No.	TRP® Part No.	OEM PART No.	TRP® Part No.	OEM PART No.	TRP® Part No.
07-0416A	JA19800	07-2604A	JA10850	11-0802	BA14100
07-0418A	JA17950	07-2610A	JA11100	11-0804	CA10950
07-0428A	JA20000	08-3061B	AB22200	11-0813	BB14050
07-0436A	JC21500	08-3062B	AB22250	11-0814	BA14550
07-0601	JA10700	08-3142B	AB31150	11-0815	BA13500
07-0602	JA20000	08-3143B	AB31200	11-0816	BB14300
07-0603A	JA11650	08-3478B	AB32050	11-0817	BB14100
07-0604	JA17900	08-3479B	AB32100	11-0820	BB13900
07-0605	JA1755	08-3480B	AB32150	11-0850	CB10900
07-0605	JA17400	08-4061B	AB23000	11-0850	CB10900
07-0606A	JA17550	08-4062B	AB23050	11-0860	BD10750
07-0607A	JA17400	08-4063B	AB23100	11-1050	BD13550
07-0608A	JA17400	08-4064B	AB23150	11-1207	BB14500
07-0610A	JA18850	08-4961B	RD5-12043-0P	11-1404	CB10250
07-0611A	JA20200	08-4962B	AB23250	11-1405	BB10050
07-0801	JA13250	08-4963B	AB23300	11-1603	BD13350
07-0804A	JA19600	08-7142B	AB30200	11-1605	BD13400
07-0804A	JA19600	10-0601	MC15800	11-1608	CA10350
07-1001A	JA13050	10-0802	MC13600	11-1611	BA10600
07-1002A	JA13000	10-0820	MA13550	11-1613	BD14300
07-1003A	JA11350	11-0215	BB13800	12-0211	EC10100
07-1004	JA20250	11-0217	BB14000	12-0220	EC10300
07-1005A	GD11350	11-0220	BB13750	12-0410	EC10200
07-1006A	JA20350	11-0411	BB14000	12-0415	EC10150
07-1204A	JA17950	11-0601	CB13300	12-0416	EC10250
07-1205A	JA19800	11-0611	BB10500	12-0610	EA10300
07-1405A	JC10800	11-0613	CA10200	12-0610A	EA10150
07-1601A	JA10450	11-0614	BA14250	12-0611A	329-456P
07-1602A	JA12700	11-0616	BB14550	12-1600A	EA13900
07-1603A	JA12750	11-0617	BA15200	12-2012A	EA10650
07-1605A	JA18700	11-0619	BA16100	12-2612A	EA10750
07-1605A	JA20550	11-0620	BD10800	12-3016A	CD10000
07-1606A	JA12800	11-0624	BB14600	12-3023A	EA10900
07-1606A	JA20500	11-0800	BA14150	12-3024A	EA13050
07-1607A	JA20800	11-0801	BB11250	12-3025A	EA13000
07-2603A	JA11300	11-0801	BB14250	12-3025A	EA14100

OEM PART No.	TRP® Part No.	OEM PART No.	TRP® Part No.	OEM PART No.	TRP® Part No.
12-3026A	EA12550	16-4124	AC12400	18-2613	HC13000
15-3016	UC11200	16-4126	AC12550	18-2615	HC13500
16-3007	UE11000	16-4127	AC12450	18-2616	HC13450
16-3033	BD15500	16-4128	AC12500	18-2617	HC13250
16-3034	VH11850	16-4140	VH10200	18-2618	HC14300
16-3038	AA11950	16-4206	AC11800	18-2640	GB11650
16-3038	VG10850	16-4208	AC11900	18-2641	GB11850
16-3045	VH11650	16-4210	AC11950	18-2642	GB10450
16-3046	VH11050	16-4212	AC12000	18-2643	GB10150
16-3056	UC13850	16-4224	AC12350	18-2645	GB10400
16-3082	LM10300	16-6011	VC20000	18-2647	GB10000
16-3143	VH11450	16-6012	VC20050	18-2649	GB12100
16-3145	VH11500	16-6013	VC20050	18-2660	FD10350
16-3146	VH11550	16-6020	VH10150	18-2661	FD11150
16-3148	VH11200	17-3000	LM10150	18-2662	FD10750
16-3149	VH11150	17-3411	LM11450	18-2663	FD10200
16-3153	VH10850	17-3415	LM11350	18-3000	HC10500
16-3154	VH10800	17-3415	LM11500	19-2600	BA12150
16-3158	VH11800	17-3416	LM11400	19-2600	BA12200
16-3434	VH10500	17-4001	VA11700	19-2600	BA13550
16-3470	VA10750	17-4010	VA11000	19-2601	DA10150
16-4018	AC12850	18-0800	HC13850	19-2603	BA12450
16-4092	AC13250	18-0802	HC11200	19-2605	BA12250
16-4093	VH10250	18-0821	GD10200	19-2606	BA12350
16-4104	AC11700	18-1000	HC10050	19-2607	DA10100
16-4106	AC10650	18-2003	HC10100	19-2608	BB10100
16-4106	AC10650	18-2003	HF15300	19-2609	BA12550
16-4107	AC12050	18-2007	HC10850	19-2610	DA10050
16-4108	AC10900	18-2010	HC13050	19-2619	DA10000
16-4109	AC12100	18-2070	FD10250	19-2626	DA10350
16-4110	AC11100	18-2073	FD10150	19-2627	BA12750
16-4111	AC12150	18-2600	HC14000	30-3001	LE4815
16-4112	AC11150	18-2601	HC11050	30-3004	RD5-8637-0
16-4113	AC12200	18-2602	HC10250		
16-4122	AC11850	18-2603	HC12800		
16-4124	AC12300	18-2606	HC10900		

VME

Table 13-685: VME X-REF

OEM PART No.	TRP® Part No.
963429	BD14250
963639	EA10200
2537193	EA10150

VOLVO

Table 13-686: VOLVO X-REF

OEM PART No.	TRP® Part No.
176100	HA15950
176101	HB16100
176102	HB10850
176114	HA11250
176124	HB11200
176125	HB13950
176131	HB10700
176134	HA19950
176136	HA15200
176138	HB16500
176139	HB15700
176140	HA18700
176141	HB10400
176143	HC14300
176144	HC10500
176145	HC10250
176149	HC13250
176150	HC13450
176151	HC13500
176152	HF15300
176153	PA11900
176154	PA12000

OEM PART No.	TRP® Part No.
176157	PA10300
176158	PA12750
176159	NA12950
176160	NA10300
176161	NA12800
176162	NA12750
176164	NA10150
176165	NA10200
176167	NA10400
176168	NA10750
176169	NA10950
176171	NA11450
176172	NA11700
176173	NA11800
176175	NA11900
176179	NC10000
176180	NB10450
176181	NB10300
176182	NA10250
176184	NB10050
176185	EA14100
176186	EA13150
176188	EA10150
176189	EA10300
176190	EA10050
176192	MC10100
176193	MC13600
176194	MC13450
176196	MC13650
176197	MC10150
176198	MC10200
176199	MC10250
176200	MC10450
176201	MC10500
176202	MC10600
176203	MC10950

OEM PART No.	TRP® Part No.
176204	MC11000
176208	MC12150
176209	MC12200
176211	MC12350
176213	MC12350
176215	MC10550
176217	BB14050
176218	BB14100
176219	BB14150
176221	BB14250
176222	BB14300
176224	BB14500
176225	BA12400
176226	BB10050
176227	BB11050
176228	BA11400
176229	BB11200
176230	BB10250
176232	JA11300
176233	JA17900
176234	JA20200
176236	JA17400
176237	JA13050
176240	JA17950
176241	JA11650
176243	JA18700
176246	JA11100
176247	JA20350
176248	JA20550
176249	CB10900
176251	CB11000
176252	CB11150
176255	CA10950
176255	CA10950
176258	BA13950
176259	BA14100

OEM PART No.	TRP® Part No.	OEM PART No.	TRP® Part No.	OEM PART No.	TRP® Part No.
176260	BA14150	176347	MC11650	176436	HB16700
176265	BA12600	176349	MC12400	176437	HA19600
176266	BA13250	176357	JA20150	176443	HA15750
176267	BA13050	176360	JA17400	176447	HC14750
176268	BA14250	176361	JA1755	176448	HC14700
176270	BA13500	176362	MA14250	176450	HC11700
176272	BD10150	176367	AB32350	176452	HC10950
176275	BD10150	176368	AB32900	176454	HC10850
176276	BD10150	176369	LA12300	176459	KA11400
176277	MA13550	176370	LA12500	176464	KA10800
176278	MA14650	176371	AB32950	176465	KA10250
176281	MA12050	176372	VH12000	176466	KA10550
176283	EA12300	176373	AB34000	176475	FD10450
176285	CD10250	176374	FC10550	176477	FD10200
176286	CD10000	176378	AB31850	176478	FD10000
176290	CB10750	176380	AB33950	176482	GB12500
176299	BA11000	176381	AB32000	176483	GB12400
176302	DB10800	176382	AB32100	176484	GB10600
176303	DB10150	176383	AB32150	176485	GB12350
176304	DB10100	176384	AB32250	176487	GB10200
176305	DB10050	176385	AB32050	176488	GB12550
176306	DB10500	176386	AB31950	176491	HC15900
176307	BD14850	176387	AB32200	176494	HC16000
176308	BD10150	176388	AB34050	176495	HC15950
176309	BD14700	176389	AB33200	176497	HC10800
176311	JA11700	176390	AB33250	176500	HD11500
176327	KA14850	176391	AB31900	176501	HC10700
176328	KA10100	176392	AB32300	176515	AB30200
176329	KA10200	176393	AB31500	176518	AB31650
176330	KA10350	176396	AB31350	176519	AB31700
176334	NA10600	176397	AB31400	176524	AB31150
176335	NC10100	176398	AB31450	176525	AB31200
176339	NA10450	176432	HB10300	176526	AB31250
176340	NA11500	176433	HA19500	176527	AB31300
176344	MC11300	176434	HA19550	176528	AB31550
176345	MC11200	176435	HA19700	176529	AB31600

OEM PART No.	TRP® Part No.	OEM PART No.	TRP® Part No.	OEM PART No.	TRP® Part No.
176530	AB33050	1110162	BD13400	3093577	EC10350
176536	AB33300	1110785	BD10350	3093578	EC10250
176537	VH12650	1111417	EA10650	3095830	KA1040
176539	AB32750	1117232	BD14200	3096305	KA1525
176540	AB32550	1118387	MC13750	3099727	HD11350
176542	AB32400	1118390	HB16250	3099731	HD10150
176544	VH10650	1118393	TG11700	3099733	HD11350
176548	VH10950	1118408	BD13400	3105089	HA11550
176549	AB32650	1118413	MA11100	3131119	CA10350
176550	AB32600	1118414	MA13650	3131923	MA14800
176551	VH12350	1118416	BD13350	3133727	BA13900
176552	VH12200	1118417	HC10500	3134241	CA10350
176553	VH1110	1118418	FD11200	3915962	BD14300
176562	FD11300	1118419	FD10300	3915966	HB16600
176564	HC16250	1118424	BA10600	3916157	HD10200
176565	JC10800	1118425	BA10800	3916160	LE1000
176566	VH11600	1119561	RD5-8637-0	3916160	LE1000
176568	EA10200	1119561	RD5-8637-0	3916189	PA11600
176569	CB10050	1697519	NA12300	3916657	EA10650
176570	JA13250	3092918	PB12750	3916660	MA10200
176573	BA11450	3093403	MC10300	3916676	NA13050
176575	JA10900	3093407	EC10150	3918100	EA10800
176576	UE11100	3093410	DB10000	3918115	UC10150
176577	CD10000	3093411	BE10000	3918203	AB20900
221568	CB10050	3093417	KA15350	3918212	CB10050
275102	HA17100	3093418	KA15250	3918213	BA12650
402562	JA10450	3093419	BB14550	3918214	BC10100
404141	BB10750	3093421	BB14600	3918217	BA14550
404143	BB11050	3093422	BD10750	3918220	BB10750
404145	BD11050	3093424	VH12700	3918222	MA10450
404255	EA10650	3093425	HA19900	3918227	MA12750
1091071	CA10200	3093562	EA14500	3918231	MA10650
1091418	UD10250	3093563	P137957	3918233	GB11650
1091422	FC10450	3093574	EC10200	3918234	DA10100
1092319	HA18300	3093575	VC10900	3918256	JA13050
1110151	KA12000	3093576	EC10300	3918258	JA13000

OEM PART No.	TRP® Part No.	OEM PART No.	TRP® Part No.	OEM PART No.	TRP® Part No.
3918259	JA19600	3949257	NA12650	3949309	BB10000
3918271	LE1000	3949262	HA10700	3949310	GD11350
3918290	PB10500	3949263	HA10600	3949311	BD13550
3918295	PB10250	3949264	HA19100	3949312	KA13950
3918297	PB10550	3949265	HA18250	3949313	KA10950
3918297	PA14450	3949266	HB10500	3949315	BA10050
3918587	UE11000	3949267	HC13850	3949316	MA10000
3918985	EA10650	3949268	HC13850	3949318	HD11450
3934718	JA12800	3949271	EC10100	3949320	VH10850
3945237	HB16600	3949274	HC12800	3949321	VH10800
3946673	EA14150	3949275	MA13500	3949387	HB1570
3946686	HA23650	3949276	EA13000	3949388	HA23400
3947401	MA14450	3949277	EA13050	3949389	HA18350
3947415	NA13000	3949278	JA18850	3949390	HC10050
3947417	FC10150	3949279	JA13000	3949391	HC14050
3947421	HC13950	3949280	JA19600	3949392	HC13000
3947428	AC10900	3949281	329-456P	3949393	NA10050
3947429	AC10650	3949282	BD10550	3949394	NA10500
3947430	AC11100	3949285	BB13900	3949395	NA12900
3948138	LA12700	3949287	BA16350	3949396	EA10900
3948139	LA12650	3949289	BA12050	3949397	EA10750
3948174	BA10650	3949290	CA10000	3949398	EA13100
3949102	HA18700	3949291	BD11050	3949399	MC10050
3949126	MC10850	3949292	KA10400	3949455	VH12300
3949127	MC13550	3949293	KA14600	3949456	VC20000
3949128	JA17550	3949295	KA14800	3949457	VC20050
3949129	JA17950	3949296	KA14900	3949458	VC20050
3949130	JA11350	3949297	CB10800	3949460	VH10150
3949131	JA19800	3949298	BB13750	3949461	VH10250
3949133	CA11050	3949299	BB13800	3949462	VH10200
3949134	BD10800	3949300	BB14000	3949463	UE11150
3949135	BD14900	3949301	BA10650	3949468	AB23100
3949250	MC13500	3949305	MC12550	3949470	AB23300
3949251	MC13400	3949306	MC11350	3949473	AB22200
3949255	NA12850	3949307	NA10900	3949475	AB22250
3949256	NA12700	3949308	HA16050	3949477	AC11700

OEM PART No.	TRP® Part No.	OEM PART No.	TRP® Part No.	OEM PART No.	TRP® Part No.
3949478	AC11750	3949571	VH10600	85100998	BA10050
3949480	AC11800	3949572	VH10650	85101003	HD10900
3949481	AC11850	3949574	VH10750	85101006	UE12100
3949483	AC11900	3949575	VH10950	85101009	UE12150
3949485	AC11950	3949576	VH11000	85101010	UE12200
3949486	AC11150	3949577	VH11250	85101011	UE12250
3949487	AC12000	3949578	VH11300	85101012	UE12300
3949488	AC12050	3949579	VH11400	85101015	HA18050
3949489	AC12100	3949580	VH11500	85101017	HA21800
3949490	AC12150	3949581	VH11550	85101018	HA21850
3949491	AC12200	3949582	VH11150	85101019	HC14900
3949492	AC12250	3949583	VH11200	85101027	MC1615BK
3949493	AC12300	3949584	VH11100	85101033	MA16350
3949494	AC12350	3949585	VH11050	85101275	HA23400
3949495	AC12400	3949586	VH10900	85103393	GB13350
3949496	AC12450	3949589	VH11450	85103394	HA21550
3949497	AC12500	3949851	RD5-8637-0	85103395	HA21700
3949498	AC12550	3949881	EA14200	85103411	EA14300
3949499	AC12850	8063963	RD5-8637-0	85103413	EA14400
3949550	TB10050	8074693	PB12800	85103415	GD11400
3949551	TB10100	8078261	JA20800	85103416	GD11450
3949553	AA11950	8084347	PB12750	85103429	BA16200
3949554	VG10850	8086753	JA20500	85103430	CB13300
3949557	TB10250	8157100	PB13650	85103431	CB13400
3949558	TB10300	8889022	KA10450	85103432	CB13350
3949559	VH11450	20407203	JA12800	85103438	BA15200
3949560	VH11650	20407205	JA20800	85103439	BA16050
3949561	VH11450	20447319	JA20500	85103444	MA1655
3949562	VH11800	39498869	HA21700	85103447	BA14950
3949563	VH11850	85100543	LF1040	85103449	BA16100
3949564	EA12850	85100576	PA14300	85103450	BA16150
3949565	VH10300	85100578	PA14350	85103454	JA22150
3949566	VH10350	85100994	EA13100	20826-0003	BA12450
3949568	VH10450	85100995	EA13100	60004-5005	NA11950
3949569	VH10500	85100996	KA14050	60009-5010	HA17100
3949570	VH10550	85100997	KA15300	60009-5027	HA11550

OEM PART No.	TRP® Part No.	OEM PART No.	TRP® Part No.	OEM PART No.	TRP® Part No.
60010-5001	HC14000	BOA 85-440-51-009	HA18700	BSM611015	PA14500
60010-5002	HC16200	BOA 85-462-51-009	HA21700	BSM611017	PA14850
60010-5009	HC10250	BOA-80-321-00-079	EA10800	BSM611018	PA14400
60012-0011	EA10050	BOA-80-321-00-129	329-456P	BSM611020	PA14650
60015-5015	BA11800	BOA-80-321-00-209	EA14150	BSM611022	PA15600
60018-5002	MA10500	BOA-80-321-00-249	EA14200	BSM611023	PA15650
60018-5003	BA10400	BOA-80-415-00-769	HA23650	BSM611024	PA15700
60018-5008	BD10150	BOA-80-945-00-079	CB10800	BSM612025	NA14750
60018-5015	BA11800	BOA-90-926-09-409	DA11600	BSM613006	MC14550
60042-0001	MA11650	BSM601044	HA10700	BSM613011	MC14800
60054-0001	BD14700	BSM602000	HC16300	BSM613019	MC15200
60054-5004	BD14700	BSM602002	HC16400	BSM613021	MC15300
60056-3801	GB10400	BSM602004	HC11200	BSM613030	MC15750
60058-5002	EA13900	BSM602006	HC11850	BSM613031	MC15800
60306-5002	FD10350	BSM605024	KA16750	BSM613032	MC15850
61103-0004	KC10100	BSM605025	KA16800	BSM613033	MC15900
61104-0023	LE1000	BSM605026	KA16850	BSM615005	MA15850
61104-0028	LE1000	BSM605028	KA14100	BSM615007	MA15950
61203-0002	PB10300	BSM605029	KA14000	BSM615011	MA12350
61203-3203	PB14300	BSM606059	LE4815	BSM615016	MA10400
61203-3403	PB14350	BSM606109	LE4603	BSM615018	MA14850
61502-0047	AE10300	BSM610019	JC11950	BSM615022	MA15250
61502-0048	AE10250	BSM610020	JC21000	BSM615024	MA15050
61510-0001	JA10850	BSM610024	JC21150	BSM615025	MA15000
61510-0006	JA12700	BSM610025	JA20550	BSM615026	MA15350
61510-0007	JA20250	BSM610026	JA20650	BSM616004	BA15500
61510-0008	JA12750	BSM610028	JC21200	BSM617004	CB13150
61510-5004	JA11050	BSM610030	JC21300	BSM617006	CB13200
61510-5005	JA10700	BSM610033	JC21450	BSM617007	CB13250
61512-0005	FA13700	BSM610034	JC21500	BSM621002	BD11050
61522-0006	BC10150	BSM610035	JC21550	BSM622012	BB10500
61522-0007	BC10000	BSM610036	JC21600	BSM623000	AC12950
61522-0022	BA12400	BSM610040	JC21800	BSM623001	AC13000
61522-3801	BC10050	BSM610041	JC21850	BSM623002	AC13050
61610-0008	JA12750	BSM610046	JA20250	BSM623003	AC13100
72404-0200	BA12150	BSM611015	PB10300	BSM623008	AB34300

OEM PART No.	TRP® Part No.	OEM PART No.	TRP® Part No.	OEM PART No.	TRP® Part No.
BSM624001	FD12250	BSM628029	AB34350	02-7077922	JA11300
BSM624002	FD12350	BSM628031	LM11300	04-9040731	BA12450
BSM625000	GB13500	BSM628034	UC13250	04-9041020	JA11100
BSM626000	FR10200	BSM628036	UC13350	04-9047994	AE10300
BSM626004	FR1005KYSO	BSM628037	UC13400	04-9047995	AE10250
BSM626007	GD10200	BSM628041	VH12850	04-9054678	JA20000
BSM626008	GD11600	BSM628043	VH12950	60009-5003	HA10600
BSM627001	LM11500	BSM628066	UC10250	60009-5003	HA10700
BSM627002	LM11600	BSM628076	UC10100	60010-5001	HC14000
BSM627004	LM11450	BSM629007	UN10250	60010-5002	HC12800
BSM627005	LM11350	BSM629012	AC13250	60012-5001	EA10650
BSM627006	LM11400	BSM631002	DA11600	60018-5002	MA10500
BSM627008	VA11700	G2028505	BD10400	60018-5003	BA10400
BSM627010	LM10150	G2028506	CB10250	60018-5005	BA12600
BSM627016	LM11150	RD2-1316-0	NA12300	60032-5001	CA10000
BSM627017	UC13050	RD3-2557-0	HC13000	60306-5002	FD10350
BSM627018	VA11000	RD5-3753-1	HA10600	60501-5002	HC13050
BSM627019	VA11650	RD5-6868-0	EA10650	61018-5002	BD10750
BSM627020	LM11200	V1113563	BB11050	61506-3402	JA18700
BSM627021	LM11250	V1118424	BA10600	72403-3402	BA12150
BSM628002	UC12800	V1697520	CA10000	WST173089	MA10250
BSM628003	UC12850			WST273140	HA15950
BSM628004	UC13550			WST402754	JA12700
BSM628005	UC12950			WST402872	JA18850
BSM628006	UC12950			WST402874	JA19600
BSM628007	UC13000			WST402874	JA19600
BSM628008	UC12250			WST402918	KA13950
BSM628011	UC12400			WST404075	BD14050
BSM628013	VE10550			WST404081	BB11100
BSM628016	VE10150			WST404255	EA10650
BSM628022	VA10750				
BSM628024	UC13150				
BSM628025	AB34450				
BSM628026	AB34500				
BSM628027	VE10250				
BSM628028	VE10300				

WESTERN STAR	
OEM PART No.	TRP® Part No.
400064	NA10200
02-7010496	KA10850
02-7069618	KA11900
02-7073625	HC11050
02-7073625	HC11050
02-7075303	HC10900
02-7075303	HC10100

Table 13-687: WESTERN STAR X-REF

NOTES

A large rectangular area filled with a light blue grid pattern, intended for handwritten notes.

NOTES

A large rectangular area filled with a light blue grid pattern, intended for writing notes. The grid consists of approximately 25 columns and 35 rows of small squares.

NOTES

A large rectangular area filled with a light blue grid pattern, intended for handwritten notes.



*For information, updates, or corrections,
please contact us at support@trparts.com*

*No part of this marketing material may be
reproduced in any manner without written
permission from TRP® North America.*

TRP® North America

750 Houser Way N.
Renton, WA 98057

www.trpparts.com