



Parts for Trucks, Trailers & Buses

8

# DRIVETRAIN

*Proven, reliable and  
always innovative.*

TRP® offers reliable aftermarket products that are designed and tested to exceed customers' expectations regardless of the vehicle make, model or age.



CLUTCH ASSEMBLIES • CLUTCH PARTS •  
DRIVESHAFT • DRIVE AXLE



Tested. Reliable. Guaranteed.

### Drivetrain

Choosing the right replacement part or service for your vehicle—whether you own one, or a fleet—is one of the most important decisions you can make for your business. And, with tested TRP® parts it's an easy decision.

Regardless of the make you drive, TRP® quality replacement parts are engineered to fit your truck, trailer or bus. Choose the parts that give you the best value for your business. Check them out at an approved TRP® retailer near you.

*The cross reference information in this catalog is based upon data provided by several industry sources and our partners. While every attempt is made to ensure the information presented is accurate, we bear no liability due to incorrect or incomplete information.*

### Product Availability

*Due to export restrictions and market demands, not all products are always available in every location. Check for availability in your area with your local TRP® Distributor.*

*No part of this marketing material may be reproduced in any manner without written permission from TRP® North America.*

# TABLE OF CONTENTS

## DRIVETRAIN

### CLUTCH ASSEMBLIES

- Easy Effort . . . . .8-5
- Soft Pedal® . . . . .8-7
- Angle Spring® . . . . .8-9
- Medium Duty . . . . .8-13
- Clutch Assembly Application Guide . . . . .8-16
- Cross Reference for Clutch Assemblies . . . . .8-23

### CLUTCH PARTS

- Clutch Brakes . . . . .8-36
- Plugs, Rings & Gaskets . . . . .8-37
- Pilot Bearings . . . . .8-38
- Bearing Covers . . . . .8-38
- Pillow Block Bearings . . . . .8-39
- Adjustment & Alignment Tools . . . . .8-39
- Bell Housing Cover Kits, Hoses & Plug . . . . .8-40
- Forks, Shafts, & Bushings . . . . .8-41

<p><b>TRP® North America</b>          750 Houser Way N.          Renton, WA 98057   <a href="http://www.trpparts.com">www.trpparts.com</a></p>	
--	--

Sleeve and Bearing Assemblies . . . . .	8-41
Anti-Rattle Springs . . . . .	8-42
Drive Lugs & Nuts . . . . .	8-42
Cross Reference for Clutch Parts . . . . .	8-43

## **DRIVESHAFT**

Full & Half Round U-joint Kits . . . . .	8-47
SPL Series U-Joint Kits . . . . .	8-48
SPL Series Bearing Straps . . . . .	8-48
Center Bearings . . . . .	8-48
Steering Shafts U-Joint Kits . . . . .	8-48
Cross Reference for U-Joints . . . . .	8-49

## **DRIVE AXLE**

Axle Pinion Seals . . . . .	8-51
-----------------------------	------



# CLUTCH ASSEMBLIES



## FEATURES & BENEFITS

- » All new components and castings for extended life
- » Easy Effort® and Soft Pedal® clutches reduce foot pedal effort by 30%, resulting in less driver fatigue
- » The TRP® program includes Mack application clutches for ease of ordering all clutches under one program
- » Assembled in the USA
- » 18 month warranty (when installed at dealership)

## RELATED PARTS

- » Clutch Installation Kits
- » Transmissions
- » Pilot Bearings
- » Driveline Components



## CLUTCH ASSEMBLIES

The TRP® line of clutches offers the widest product breadth of any clutch program in North America. TRP® offers Easy Effort®, Soft Pedal®, Medium Duty and Angle Spring® clutches. Easy Effort clutches follow the latest production design incorporating coil spring technology. Three assist springs serve to lower bearing load, and lower pedal effort. Soft Pedal® clutches are state-of-the-art diaphragm spring technology resulting in smoother engagement. Drive strap design provides a smoother transfer of energy and avoids the internal friction causing metal wear. For medium duty and heavy duty applications, TRP® will have a clutch that will meet your requirements and exceed your expectations.

## POPULAR MEDIUM-DUTY APPLICATIONS

Torque Rating	Application	TRP®
650	Medium Duty	CL1076835
900	Medium Duty	CL1072378

## POPULAR HEAVY-DUTY APPLICATIONS

Torque Rating	Size	Carrier Style	Soft Pedal	Easy Effort
1,400	14	4 Paddle	CL11805059	CL10805059
1,650	15.5	4 Paddle	CL11839174	CL10839174
1,700	15.5	4 Paddle	CL11892582	CL10892582
1,850	15.5	6 Paddle	CL11839193	CL10839193
2,050	15.5	6 Paddle	CL11892515	CL10892515

## POPULAR MACK APPLICATIONS

Torque Rating	Size	Carrier Style	Springs	Easy Effort
1,700	15.5	4 Paddle	9	CL10893551
1,700	15.5	4 Paddle	7	CL10893582
1,700	15.5	6 Paddle	9	CL10893591
1,850	15.5	6 Paddle	9	CL10893594
2,050	15.5	6 Paddle	6	CL10893515



Scan the code for more information.  
Get the free mobile app at <http://gettag.mobi>

Soft Pedal® and Easy Effort® are registered trademarks of Illinois Auto Truck  
Angle Spring® is a registered trademark of Eaton Corporation

## EASY EFFORT®

**EASY EFFORT®** clutches follow the latest production design incorporating coil spring technology. Three assist springs serve to lower bearing load, and therefore lower pedal effort. Adjustment is achieved through the reliable spring adjuster system.



Table 8-1: Easy Effort® Clutch Assemblies.

Part No.	Mfg. Part No.	Adjustment Type	Bearing Type	Plate Load (lbs.)	Torque Rating (ft/lb)	Carrier Style	Friction Material	Ceramic Configuration	Springs	Conventional Free Travel	Flywheel Opening
<b>14" x 1-3/4" EASY EFFORT®</b>											
CL10803582	108035-82	Spring-A-Just	Greaseable	3600	1000	Round	Organic		8	•	7"
CL10806359	108063-59	Spring-A-Just	Greaseable	3200	1150	4-Paddle	Ceramic	VSR	8	•	7"
<b>14" x 2" EASY EFFORT®</b>											
CL10803457	108034-57	Spring-A-Just	Greaseable	3200	1000	Round	Organic		8	•	7"
CL10803461	108034-61	Spring-A-Just	Greaseable	3200	1150	3-Paddle	Ceramic	VSR	8	•	7"
CL10803482	108034-82	Spring-A-Just	Greaseable	3600	1100	Round	Organic		8	•	7"
CL10805059	108050-59	Spring-A-Just	Greaseable	3200	1400	4-Paddle	Ceramic	VSR	8	•	7"
CL10833422	108334-22	Spring-A-Just	Greaseable	3200	1150	3-Paddle	Ceramic	VSR	8	•	7"
CL10895059 (Mack)	108950-59	Spring-A-Just	Greaseable Dual Zerk	3200	1400	4-Paddle	Ceramic	VSR	8	•	7"

Part No.	Mfg. Part No.	Adjustment Type	Bearing Type	Plate Load (lbs.)	Torque Rating (ft/lb)	Carrier Style	Friction Material	Ceramic Configuration	Springs Conventional	Free Travel	Flywheel Opening
----------	---------------	-----------------	--------------	-------------------	-----------------------	---------------	-------------------	-----------------------	----------------------	-------------	------------------

### 15-1/2" x 1-3/4" EASY EFFORT®

CL10839077	108390-77	Spring-A-Just	Greaseable	3600	1250	Round	Organic		8	•	7"
------------	-----------	---------------	------------	------	------	-------	---------	--	---	---	----

### 15-1/2" x 2" EASY EFFORT®

CL10839174	108391-74	Spring-A-Just	Greaseable	3600	1650	4-Paddle	Ceramic	VSR	10	•	8.5"
CL10839177	108391-77	Spring-A-Just	Greaseable	3600	1250	Round	Organic		8	•	7"
CL10839178	108391-78	Spring-A-Just	Greaseable	4000	1400	Round	Organic		10	•	8.5"
CL10839181	108391-81	Spring-A-Just	Greaseable	3600	1450	4-Paddle	Ceramic	VSR	8	•	7"
CL10839182	108391-82	Spring-A-Just	Greaseable	4000	1350	Round	Organic		8	•	7"
CL10839183	108391-83	Spring-A-Just	Greaseable	3200	1070	Round	Organic		8	•	7"
CL10839193	108391-93	Spring-A-Just	Greaseable	4000	1810	6-Paddle	Ceramic	VSR	10	•	8.5"
CL10892515	108925-20	Spring-A-Just	Greaseable	4000	2050	6-Paddle	Ceramic	VSR	6	•	10"
CL10892570	108925-70	Spring-A-Just	Greaseable	4000	1750	6-Paddle	Ceramic	VSR	7	•	10"
CL10892582	108925-82	Spring-A-Just	Greaseable	3600	1700	4-Paddle	Ceramic	VSR	7	•	10"
CL10893515 (Mack)	108935-26	Spring-A-Just	Greaseable Dual Zerk	4000	2050	6-Paddle	Ceramic	VSR	6	•	10"
CL10893551 (Mack)	108935-51	Spring-A-Just	Greaseable Dual Zerk	3600	1700	4-Paddle	Ceramic	VSR	9	•	10"
CL10893582 (Mack)	108935-82	Spring-A-Just	Greaseable Dual Zerk	3600	1700	4-Paddle	Ceramic	VSR	7	•	10"
CL10893591 (Mack)	108935-91	Spring-A-Just	Greaseable Dual Zerk	3600	1700	6-Paddle	Ceramic	VSR	9	•	10"
CL10893594 (Mack)	108935-94	Spring-A-Just	Greaseable Dual Zerk	4000	1850	6-Paddle	Ceramic	VSR	9	•	10"



## SOFT PEDAL®

SOFT PEDAL® clutches are state-of-the-art diaphragm spring technology resulting in smoother engagement. Clutches incorporate the still popular manual adjustment feature. Drive strap design provides a smoother transfer of energy and avoids the internal friction causing metal wear.

Improved heat dissipation is achieved through enlarged cover ventilation. The 30% pedal effort reduction resulting from the diaphragm design lowers driver fatigue.

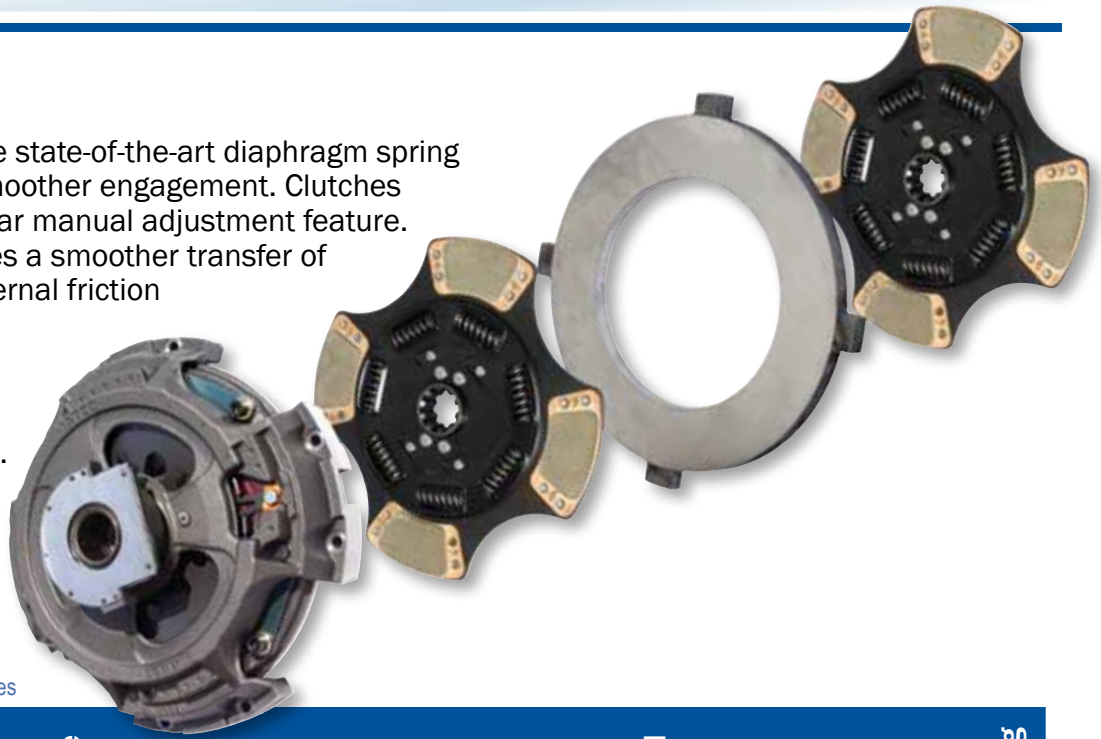


Table 8-2: Soft Pedal® Clutch Assemblies

Part No.	Mfg. Part No.	Adjustment Type	Bearing Type	Plate Load (lbs.)	Torque Rating (ft/lb)	Carrier Style	Friction Material	Ceramic Configuration	Springs	Conventional Free Travel	Flywheel Opening
<b>14" x 1-3/4" SOFT PEDAL®</b>											
CL11803532	108035-32	Manual	Greaseable	3200	900	Round	Organic		8	•	7"
CL11806359	108063-59	Manual	Greaseable	3200	1150	4-Paddle	Ceramic	VSR	8	•	7"
<b>14" x 2" SOFT PEDAL®</b>											
CL11803461	108034-61	Manual	Greaseable	3200	1150	3-Paddle	Ceramic	VSR	8	•	7"
CL11803482	108034-82	Manual	Greaseable	3600	1100	Round	Organic		8	•	7"
CL11805059	108050-59	Manual	Greaseable	3200	1400	4-Paddle	Ceramic	VSR	8	•	7"
CL11895059 (Mack)	108950-59	Manual	Greaseable Dual Zerk	3200	1400	4-Paddle	Ceramic	VSR	8	•	7"
<b>15-1/2" x 2" SOFT PEDAL®</b>											
CL11839174	108391-74	Manual	Greaseable	3600	1650	4-Paddle	Ceramic	VSR	10	•	8.5"
CL11839177	108391-77	Manual	Greaseable	3600	1250	Round	Organic		8	•	7"
CL11839178	108391-78	Manual	Greaseable	4000	1400	Round	Organic		10	•	8.5"
CL11839181	108391-81	Manual	Greaseable	3600	1450	4-Paddle	Ceramic	VSR	8	•	7"

Part No.	Mfg. Part No.	Adjustment Type	Bearing Type	Plate Load (lbs.)	Torque Rating (ft/lb)	Carrier Style	Friction Material	Ceramic Configuration	Springs	Conventional	Free Travel	Flywheel Opening
CL11839182	108391-82	Manual	Greaseable	4000	1350	Round	Organic		8		•	7"
CL11839193	108391-93	Manual	Greaseable	4000	1810	6-Paddle	Ceramic	VSR	10	•		8.5"
CL11892515	108925-20	Manual	Greaseable	4000	2050	6-Paddle	Ceramic	VSR	6	•		10"
CL11892515	108925-25	Manual	Greaseable	4000	2050	6-Paddle	Ceramic	VSR	6	•		10"
CL11892570	108925-70	Manual	Greaseable	4000	1750	6-Paddle	Ceramic	VSR	7		•	10"
CL11892582	108925-82	Manual	Greaseable	3600	1700	4-Paddle	Ceramic	VSR	7		•	10"
CL11893515 (Mack)	108935-26	Manual	Greaseable Dual Zerk	4000	2050	6-Paddle	Ceramic	VSR	6	•		10"
CL11893551 (Mack)	108935-51	Manual	Greaseable Dual Zerk	3600	1700	4-Paddle	Ceramic	VSR	9	•		10"
CL11893582 (Mack)	108935-82	Manual	Greaseable Dual Zerk	3600	1700	4-Paddle	Ceramic	VSR	7		•	10"
CL11893591 (Mack)	108935-91	Manual	Greaseable Dual Zerk	3600	1700	6-Paddle	Ceramic	VSR	9	•		10"
CL11893594 (Mack)	108935-94	Manual	Greaseable Dual Zerk	4000	1850	6-Paddle	Ceramic	VSR	9	•		10"



## ANGLE SPRING®

ANGLE SPRING® Ceramic friction material is used for the heaviest applications. All raw materials and components are of O.E.M. quality. Heavy duty damper springs assure longer damper life.

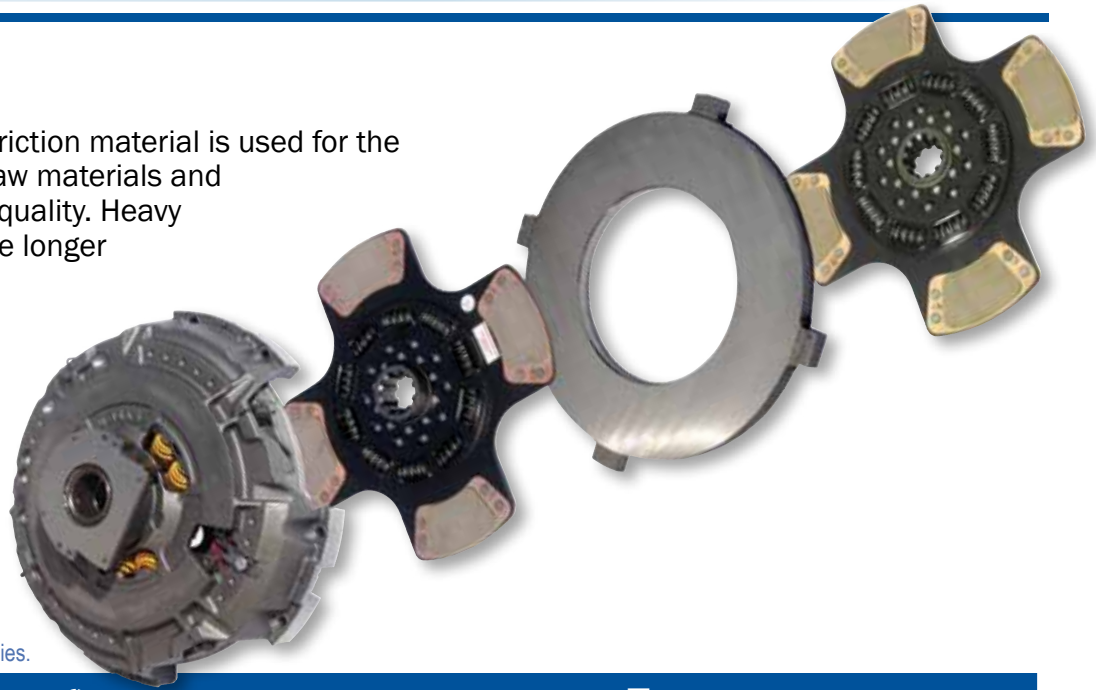


Table 8-3: Angle Spring® Clutch Assemblies.

Part No.	Mfg. Part No.	Adjustment Type	Bearing Type	Plate Load (lbs.)	Torque Rating (ft/lb)	Carrier Style	Friction Material	Ceramic Configuration	Springs	Conventional Free Travel	Flywheel Opening
<b>14" x 1-1/2" STAMPED STEEL SINGLE PLATE</b>											
CL1076887	107688-7	Spring-A-Just	Greaseable	2500	520	4-Paddle	Ceramic	VSR	8	•	7"
CL10768816	107688-16	Spring-A-Just	Greaseable	2500	420	Round	Organic		8	•	7"
<b>14" x 1-3/4" CAST IRON SINGLE AND TWO PLATE</b>											
CL10703532	107035-32	Manual	Greaseable	3200	1000	Round	Organic	Two Plate	8	•	7"
CL10703582	107035-82	Manual	Greaseable	3600	1000	Round	Organic	Two Plate	8	•	7"
CL10706359	107035-59	Manual	Greaseable	3200	1150	4-Paddle	Ceramic	VSR, Two Plate	8	•	7"
CL10733561	107335-61	Manual	Greaseable	2000	800	Round	Organic	Two Plate	8	•	7"
CL1079151	107915-1	Ease-A-Just	Greaseable	3200	850	Round	Organic		Rigid		7"
CL1079152	107915-2	Ease-A-Just	Greaseable	3200	850	Round	Organic		8	•	7"
<b>14" x 1-3/4" STAMPED STEEL SINGLE PLATE</b>											
CL1072135	107213-5	Manual	Greaseable	2800	650	4-Paddle	Ceramic	VTL	8	•	7"

ANGLE SPRING® is a Registered Trademark of Eaton Corporation.

Part No.	Mfg. Part No.	Adjustment Type	Bearing Type	Plate Load (lbs.)	Torque Rating (ft/lb)	Carrier Style	Friction Material	Ceramic Configuration	Springs	Conventional Free Travel	Flywheel Opening
CL1074011 (Short Bearing Sleeve)	107401-1	Spring-A-Just	Greaseable	2800	650	4-Paddle	Ceramic	VSR	8	•	7"
CL10768316	107683-16	Manual	Greaseable	3200	445	Round	Organic		8	•	7"
CL10768320	107683-20	Spring-A-Just	Greaseable	4000	650	4-Paddle	Ceramic	VSR	8	•	7"
CL1076835	107683-5	Spring-A-Just	Greaseable	3200	650	3-Paddle	Ceramic	VTL	8	•	7"
CL1076845	107684-5	Spring-A-Just	Greaseable	3200	650	3-Paddle	Ceramic	VSR	8	•	7"
<b>14" x 1-3/4" STAMPED STEEL TWO PLATE</b>											
CL10713716	107137-16	Manual	Greaseable	2800	800	Round	Organic		8	•	7"
CL1071378	107137-8	Manual	Greaseable	2000	900	3-Paddle	Ceramic	VTL	8	•	7"
CL10723716	107237-16	Spring-A-Just	Greaseable	2800	800	Round	Organic		8	•	7"
CL1072378	107237-10	Spring-A-Just	Greaseable	2000	900	3-Paddle	Ceramic	VTL	8	•	7"
CL10723784 (Steel Ring)	107237-10	Spring-A-Just	Greaseable	2000	900	3-Paddle	Ceramic	VTL	8	•	7"
CL10723724	107237-24	Spring-A-Just	Greaseable	2500	1050	4-Paddle	Ceramic	VSR	8	•	7"
<b>14" x 2" CAST IRON TWO PLATE</b>											
CL10703432	107034-32	Manual	Greaseable	3200	1000	Round	Organic		8	•	7"
CL10703453	107034-53	Manual	Greaseable	3200	1150	4-Paddle	Ceramic	VSR	8	•	7"
CL10703461	107034-61	Manual	Greaseable	2800	1150	3-Paddle	Ceramic	VSR	VSR	•	7"
CL10703482	107034-82	Manual	Greaseable	3600	1100	Round	Organic		8	•	7"
CL10705059	107050-59	Manual	Greaseable	3200	1400	4-Paddle	Ceramic	VSR	8	•	7"
CL107050592	107050-59	Ease-A-Just	Greaseable	3200	1400	4-Paddle	Ceramic	VSR	8	•	7"
CL1079107	107910-7	Ease-A-Just	Greaseable	3200	1400	4-Paddle	Ceramic	VSR	8	•	7"
CL10795059 (Mack)	107950-59	Manual	Greaseable Dual Zerk	3200	1400	4-Paddle	Ceramic	VSR	8	•	7"
<b>14" x 2" STAMPED STEEL TWO PLATE</b>											
CL1071422	107142-2	Manual	Greaseable	2800	900	4-Paddle	Ceramic	VTL	8	•	7"
CL1071423	107142-3	Manual	Greaseable	2800	800	Round	Organic		8	•	7"
CL10734211	107342-11	Spring-A-Just	Greaseable	2000	900	3-Paddle	Ceramic	VTL	8	•	7"
CL107342114 (Steel Ring)	107342-11	Spring-A-Just	Greaseable	2000	900	3-Paddle	Ceramic	VTL	8	•	7"
CL10734220	107342-20	Spring-A-Just	Greaseable	2500	1050	4-Paddle	Ceramic	VSR	8	•	7"

Part No.	Mfg. Part No.	Adjustment Type	Bearing Type	Plate Load (lbs.)	Torque Rating (ft/lb)	Carrier Style	Friction Material	Ceramic Configuration	Springs	Conventional Free Travel	Flywheel Opening
CL10734222	107342-22	Spring-A-Just	Greaseable	2500	950	3-Paddle	Ceramic	VSR	8	•	7"
CL1073426	107342-6	Spring-A-Just	Greaseable	2000	900	6-Round	Ceramic	VSR	8	•	7"

### 15-1/2" x 1-3/4" CAST IRON TWO PLATE

CL10709055	107090-55	Manual	Greaseable	3600	1250	4-Paddle	Ceramic	VSR	8	•	7"
CL10709083	107090-83	Manual	Greaseable	3200	1200	Round	Organic		8	•	7"

### 15-1/2" x 2" CAST IRON TWO PLATE

CL10709155	107091-55	Manual	Greaseable	3600	1400	6-Paddle	Ceramic	VTL	8	•	7"
CL10709174	107091-74	Manual	Greaseable	3600	1650	4-Paddle	Ceramic	VSR	10	•	8.5"
CL10709177	107091-77	Manual	Greaseable	3600	1250	Round	Organic		8	•	7"
CL10709180	107091-80	Manual	Greaseable	3600	1450	4-Paddle	Ceramic	VSR	8	•	7"
CL10709182	107091-82	Manual	Greaseable	4000	1350	Round	Organic		8	•	7"
CL10739174	107391-74	Manual	Greaseable	3600	1650	4-Paddle	Ceramic	VSR	10	•	8.5"
CL10739178	107391-78	Manual	Greaseable	4000	1400	Round	Organic		10	•	8.5"
CL10739193	107391-93	Manual	Greaseable	4000	1810	6-Paddle	Ceramic	VSR	10	•	8.5"
CL107391932	107391-93	Ease-A-Just	Greaseable	4000	1810	6-Paddle	Ceramic	VSR	10	•	8.5"
CL10749155	107491-55	Self-Adjust	Sealed	3600	1400	4-Paddle	Ceramic	VSR		•	7"
CL10749174	107491-74	Self-Adjust	Sealed	3600	1650	4-Paddle	Ceramic	VSR	10	•	8.5"
CL1079203	107920-3	Ease-A-Just	Greaseable	3600	1400	4-Paddle	Ceramic	VSR	8	•	7"
CL1079204	107920-4	Ease-A-Just	Greaseable	3200	1100	Round	Organic		Rigid		7"
CL1079207	107920-7	Ease-A-Just	Greaseable	3600	1650	4-Paddle	Ceramic	VSR	10	•	8.5"
CL1079211	107921-1	Ease-A-Just	Sealed	3600	1650	4-Paddle	Ceramic	VSR	10	•	8.5"
CL10792515	107925-15	Manual	Greaseable	4000	2050	6-Paddle	Ceramic	VSR	6	•	10"
CL107925152	107925-15	Ease-A-Just	Greaseable	4000	2050	6-Paddle	Ceramic	VSR	6	•	10"
CL10792582	107925-82	Manual	Greaseable	3600	1700	4-Paddle	Ceramic	VSR	7	•	10"
CL107925822	107922-1	Ease-A-Just	Greaseable	3600	1700	4-Paddle	Ceramic	VSR	7	•	10"
CL10793515 (Mack)	107935-15	Manual	Greaseable Dual Zerk	4000	2050	6-Paddle	Ceramic	VSR	6		10"
CL10793551 (Mack)	107935-51	Manual	Greaseable Dual Zerk	3600	1700	4-Paddle	Ceramic	VSR	9	•	10"
CL107935512 (Mack)	107935-51	Ease-A-Just	Greaseable Dual Zerk	3600	1700	4-Paddle	Ceramic	VSR	9	•	10"

Part No.	Mfg. Part No.	Adjustment Type	Bearing Type	Plate Load (lbs.)	Torque Rating (ft/lb)	Carrier Style	Friction Material	Ceramic Configuration	Springs	Conventional Free Travel	Flywheel Opening
CL10793582 (Mack)	107935-82	Manual	Greaseable Dual Zerk	3600	1700	4-Paddle	Ceramic	VSR	7	•	10"
CL107935822 (Mack)	107935-82	Ease-A-Just	Greaseable Dual Zerk	3600	1700	4-Paddle	Ceramic	VSR	7	•	10"
CL10793591 (Mack)	107935-91	Manual	Greaseable Dual Zerk	3600	1700	6-Paddle	Ceramic	VSR	9	•	10"
CL107935912 (Mack)	107935-91	Ease-A-Just	Greaseable Dual Zerk	3600	1700	6-Paddle	Ceramic	VSR	9	•	10"
CL10793594 (Mack)	107935-94	Manual	Greaseable Dual Zerk	4000	1850	6-Paddle	Ceramic	VSR	9	•	10"
CL107935942 (Mack)	107935-94	Ease-A-Just	Greaseable Dual Zerk	4000	1850	6-Paddle	Ceramic	VSR	9	•	10"

## MEDIUM DUTY

Medium Duty ceramic friction material is used for the heaviest applications. All raw materials and components are of O.E.M. quality. Heavy duty damper springs assure longer damper life.

- Specifically engineered for Class 6 & 7 applications.
- Available with 1-1/4", 1-3/8", 1-1/2", 1-3/4", and 2" – 10 spline sizes
- Features a strong, well-ventilated stamped steel cover.
- Ideal for trucks and buses used for local deliveries, pickups and short hauls



Table 8-4: Medium Duty Clutch Assemblies.

Part No.	Mfg. Part No.	Adjustment Type	Bearing Type	Plate Load (lbs.)	Torque Rating (ft/lb)	Carrier Style	Friction Material	Ceramic Configuration	Springs	Conventional	Spline Size	Flywheel Opening
<b>14" x 1-1/2" &amp; 1-3/4" SINGLE AND TWO PLATE</b>												
CL1047134	LP1047-134	External		3200	500	Round	Organic		10	•	1-1/2"	
CL1067144	LP1067-144	External		2800	550	Round	Organic	Two Plate	10	•	1-3/4"	
CL1072134	LP1072-134	External		2000	550	Round	Organic	Two Plate	10	•	1-1/2"	
CL1072138	LP1072-138	External		2000	700	4-Paddle	Ceramic	VTL, Two Plate	10	•	1-1/2"	
CL1107143	LP1107-143	External		3200	550	6-Paddle	Ceramic	VTL	8	•	1-3/4"	7"
CL1107145	LP1107-145	External		3200	500	Round	Organic		8	•	1-3/4"	7"
CL1113144	LP1113-144	External		2400	750	Round	Organic	Two Plate	10	•	1-3/4"	
CL1113148	LP1113-148	External		2400	1000	Round	Ceramic	VTL, Two Plate	10	•	1-3/4"	
CL1686134	LP1686-134	External		2300	420	Round	Organic		10	•	1-1/2"	
CL1686138	LP1686-138	External		2300	500	4-Paddle	Ceramic	VTL	10	•	1-1/2"	

Part No.	Mfg. Part No.	Adjustment Type	Bearing Type	Plate Load (lbs.)	Torque Rating (ft/lb)	Carrier Style	Friction Material	Ceramic Configuration	Springs	Conventional	Spline Size	Flywheel Opening
----------	---------------	-----------------	--------------	-------------------	-----------------------	---------------	-------------------	-----------------------	---------	--------------	-------------	------------------

### 310MM x 1-1/4", 1-3/8", & 1-1/2" SINGLE PLATE

CL1073101	107310-1	External		2400 400	4-Paddle	Ceramic	VSR	8	•	1-1/2"
CL10760513	107605-1	External		2400 400	4-Paddle	Ceramic	VSR	8	•	1-1/4"
CL10760613	107606-1	External		2400 400	4-Paddle	Ceramic	VSR	8	•	1-1/2"
CL10794333	107943-3	External		2400 400	4-Paddle	Ceramic	VSR	8	•	1-3/8"

### 330MM x 1-1/4" & 1-3/8" & 1-1/2" SINGLE AND TWO PLATE

CL1076051	107605-1	External		2700 400	4-Paddle	Ceramic	VTL	8	•	1-1/4"
CL1076061	107606-1	External		2700 400	4-Paddle	Ceramic	VTL	8	•	1-1/2"
CL1079433	107943-3	External		2400 400	4-Paddle	Ceramic	VTL	8	•	1-3/8"
CL19271348	LP1927-134	External		2000 525	Round	Organic	Two Plate	8	•	1-1/2"
CL1928137	LP1928-137	External		2700 520	4-Paddle	Ceramic	VTL	8	•	1-1/2"
CL1928134	LP1928-134	External		2700 400	Round	Organic		8	•	1-1/2"
CL1931134	LP1931-134	External		2000 525	Round	Organic	Two Plate	8	•	1-1/2"
CL1933114	LP1933-114	External		2700 400	Round	Organic		8	•	1-1/4"
CL1933134	LP1933-134	External		2700 450	Round	Organic		8	•	1-1/2"
CL1935134	LP1935-134	External		2700 450	Round	Organic		8	•	1-1/2"
CL1935136	LP1935-136	External		2700 520	Round	Ceramic	EVT	10	•	1-1/2"
CL1938124	107611-2	External		2400 400	Round	Organic		8	•	1-3/8"
CL1938134	107611-1	External		2700 400	Round	Organic		8	•	1-1/2"
CL1938137	LP1938-137	External		2400 520	4-Paddle	Ceramic	VTL	8	•	1-1/2"
CL1940132	LP1940-132	External		2000 400	Round	Organic	Two Plate	Rigid		1-1/2"
CL1940134	LP1940-134	External		2000 525	Round	Organic	Two Plate	8	•	1-1/2"
CL1948137	LP1948-137	External		2400 400	4-Paddle	Ceramic	VTL	8	•	1-1/2"
CL1989134	LP1989-134	External		2000 525	Round	Organic	Two Plate	8	•	1-1/2"



Part No.	Mfg. Part No.	Adjustment Type	Bearing Type	Plate Load (lbs.)	Torque Rating (ft/lb)	Carrier Style	Friction Material	Ceramic Configuration	Springs	Conventional	Spline Size	Flywheel Opening
CL1989138	LP1989-138	External		2000	650	Round	Ceramic	EVT, Two Plate	8	•	1-1/2"	
CL2076137	LP2076-137	External		2400	500	4-Paddle	Ceramic	VTL	8	•	1-1/2"	
CL2076139	LP2076-139	External		2400	500	3-Paddle	Ceramic	VTL	8	•	1-1/2"	7"

### 350MM x 1-1/2" & 1-3/4" SINGLE PLATE

CL1073501	107350-1	External		2400	500	4-Paddle	Ceramic	VSR	8	•	1-3/4"	7"
CL1073502	107350-2	External		2400	500	4-Paddle	Ceramic	VSR	8	•	1-1/2"	7"
CL1073503	107350-3	External		2400	500	3-Paddle	Ceramic	VSR	8	•	1-1/2"	7"
CL1073504	107350-4	External	M-1615	2400	500	4-Paddle	Ceramic	VSR	8	•	1-1/2"	7"
CL1076211	107621-1	External		2400	500	4-Paddle	Ceramic	VSR	8	•	1-1/2"	7"
CL10762116	107621-1	External		2400	420	Round	Organic		8	•	1-1/2"	7"
CL1076212	107621-2	External		2400	500	4-Paddle	Ceramic	VSR	8	•	1-3/4"	7"
CL1076217	107621-7	External	M-1710	2400	500	4-Paddle	Ceramic	VSR	8	•	1-1/2"	7"

# CLUTCH ASSEMBLY APPLICATION GUIDE

Getting the right part for your vehicle is important, that is why TRP® brand parts is the right choice for you.

Matched unit assemblies to fit the requirements of the highest torque rated engines. All makes coverage for North American produced class 6-7 & 8 vehicles with one year unlimited mileage warranty.

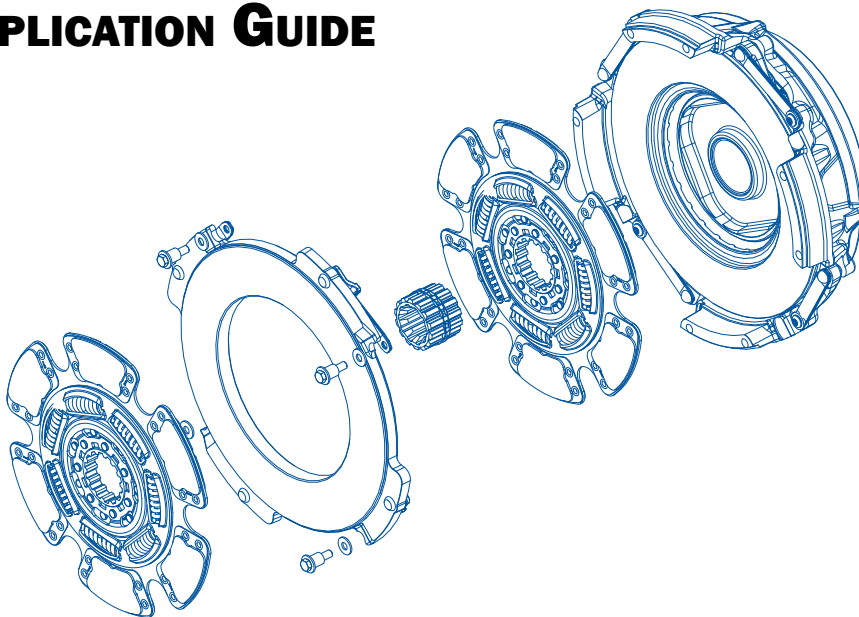


Table 8-5: Clutch Assembly Application Guide

Engine	Years	Number of Cylinders	TRP® Part Number	Replaces Manufacturer's Part No.	Cover Assembly Number	Release Bearing Number	Friction Material	Disc (in or mm)	Disc	Spline Size	Notes
<b>CHEVROLET AND GMC (5500, 6500, &amp; 7500)</b>											
Gas C & T Series Topkick & Kodiak C-50 & C-60 GM 366	1965-2001	8	CL1928134	LP1928-134	NCA-330-1928		Organic	330	M-0622-CV	1-1/2	Lever Type
			CL1076061	107606-1	NCA-330-1928		Ceramic	330	M-0998-CV	1-1/2	Lever Type
			CL10760613	107606-1	NCA-102038		Ceramic	310	M-1805	1-1/2	Diaphragm Type
Gas C & T Series Topkick & Kodiak C-50 & C-60 GM 427 GMC Gas & Diesels Brigadier General	1986-2001	6 & 8	CL2076139	LP2076-139	NCA-330-2076		Ceramic	330	M-1354	1-1/2	Lever Type
	1986-1993		CL1076211	107621-1	NCA-102048		Ceramic	350	M-1331	1-1/2	Diaphragm Type
	1979-1985		CL1686138	lp1686-138	NCA-14-1686		Ceramic	14"	M-0884-CV	1-1/2	Lever Type
	1962-1974		CL1107145	LP1107-145	NCA-14-1107		Organic	14"	M-0534	1-3/4	Lever Type
Diesel C & T Series Topkick & Kodiak Cat 3116, Cat 3126B Cat C-7	1986-2008	6	CL2076139	LP2076-139	NCA-330-2076		Ceramic	330	M-1354	1-1/2	Lever Type
	1990-2008		CL1076835	107683-5	NCA-129059-1		Ceramic	14"	M-1507	1-3/4	Pull Type
			CL1072378	107237-10	NCA-129060-5 FW-140 Int. PI.		Ceramic	14"	M-1508 (Frt) M-1507 (Rr)	1-3/4	Pull Type
Gas GM 454 7400MD	1999-2000	8	CL2076137	LP2076-137	NCA-330-2076		Ceramic	330	M-0998-CV	1-1/2	Small Flywheel ID

Engine	Years	Number of Cylinders	TRP® Part Number	Replaces Manufacturer's Part No.	Cover Assembly Number	Release Bearing Number	Friction Material	Disc (in or mm)	Disc	Spline Size	Notes
Gas C & T Series Topkick & Kodiak GM Vortec 8100MD	1997-2001	8	CL2076139	LP2076-139	NCA-330-2076		Ceramic	330	M-1354	1-1/2	Lever Type
Diesel Duramax C & T Series Topkick & Kodiak 6600	1997-2001	6	CL2076139	LP2076-139	NCA-330-2076		Ceramic	330	M-1354	11/2	Lever Type
Diesel Duramax C & T Series Topkick & Kodiak (Isuzu) 7800	1990-2008	6	CL1073503	107350-3	NCA-102101		Ceramic	350	M-1578	1-1/2	Diaphragm Type
			CL1074011	107401-1	NCA-129060-2		Ceramic	14"	M-0950	1-3/4	Pull Type Short Sleeve
DDC 6-71 DDC6V-53 Brigadier General	1966-1981	6	CL1113144	LP1113-604	NCA-14-1113 L-1480 Int. Pl.		Organic	14"	M-0648-CV (Frt) M-0647-CV (Rr)	1-1/2	Two Plate Assembly
Diesel W Series Isuzu	1988-2008	6	CL1076061	107606-1	NCA-330-1928		Ceramic	330	M-0998-CV	1-1/2	Lever Type
			CL10760613	107606-1	NCA-102038		Ceramic	310	M-1805	1-1/2	Diaphragm Type
			CL1073503	107350-3	NCA-102101		Ceramic	350	M-1578	1-1/2	Diaphragm Type
			CL1073502	107350-2	NCA-102101		Ceramic	350	M-1331	1-1/2	Diaphragm Type
			CL1074011	107401-1	NCA-129060-2		Ceramic	14"	M-0950	1-3/4	Pull Type Short Sleeve

## DODGE TRUCK

Gas CHR 318, CHR 361 Diesel Perk 354	1967-1982	6 & 8	CL1938124	LP1938-124	NCA-330-1928		Organic	330	M-0929-CV	1/3/2008	Lever Type
---	-----------	-------	-----------	------------	--------------	--	---------	-----	-----------	----------	------------

## FORD TRUCK (F-450, 550, 650, & 750)

Gas F Series FD 330, 361 370, 391, 429, 477	1965-1995	6 & 8	CL1938124	LP1938-124	NCA-330-1938		Organic	330	M-0929-CV	1-3/8	Lever Type
			CL1079433	107943-3	NCA-330-1938		Ceramic	330	M-0938-CV	1-3/8	Lever Type
			CL10794333	107943-3	NCA-102038		Ceramic	310	M-1803	1-3/8	Diaphragm Type
			CL1938137	LP1938-137	NCA-330-1938		Ceramic	330	M-0998-CV	1-1/2	Lever Type
			CL10794313	107943-1	NCA-102038		Ceramic	310	M-1805	1-1/2	Diaphragm Type
Gas (Super Duty) 370, 429	1979-1983	6 & 8	CL1940134	LP1940-134	NCA-330-1940 L-1322 Int. Pl.		Organic	330	M-0626-CV (Frt) M-0625-CV (Rr)	1-1/2	Lever Type

Engine	Years	Number of Cylinders	TRP® Part Number	Replaces Manufacturer's Part No.	Cover Assembly Number	Release Bearing Number	Friction Material	Disc (in or mm)	Disc	Spline Size	Notes
Gas (Super Duty) 401, 475, 477, 534	1964-1978	6 & 8	CL1940132	LP1940-132	NCA-330-1940 L-1322 Int. Pl.		Organic	330	M-1200 (2 Req'd)	1-1/2	Lever Type
Diesel Cat 3208 (Early Push Type) Cat 1160 (V-225) Cat 1150 (V-200) Cat 1145 (V-175) Cat 1140 (V-150) Cum 555 (V-555)	1969-1986	8	CL1938134	LP1938-134	NCA-330-1938		Organic	330	M-0622-CV	1-1/2	Lever Type
			CP19271348	LP1927-134	NCA-330-1927 L-1304		Organic	330	M-0467-CV (Frt) M- 0466-CV (Rr)	1-1/2	Lever Type
			CL1686134	LP1686-134	NCA-14-1686		Organic	14"	M-0638-CV	1-1/2	Lever Type
			CL1072134	LP1072-134	NCA-14-1072 L-1487 Int. Pl.		Organic	14"	M-0642-CV (Frt) M- 0641-CV (Rr)	1-1/2	Lever Type
Diesel Cat 3208 (Late Pull Type) Cat 3126, Cat C-7 Ford FD1060, FD1460 Cummins B5.9, C 8.3 ISB ISC	1987-2008	6 & 8	CL1076835	107683-5	NCA-129059-1		Ceramic	14"	M-1507	1-3/4	Pull Type
			CL1072378	107237-10	NCA-129060-5 FW-140 Int. Pl.		Ceramic	14"	M-1508 (Frt) M-1507 (Rr)	1-3/4	Pull Type
Diesel Cargo Series 6.6L	1985-1993	6 & 8	CL1076887	107688-7	NCA-129710-3-J		Ceramic	14"	M-1220	1-1/2	Pull Type
			CL1076835	107683-5	NCA-129059-1		Ceramic	14"	M-1507	1-3/4	Pull Type
Diesel Cargo Series 7.8L	1985-1993	6 & 8	CL1072378	107237-10	NCA-129060-5 FW-140 Int. Pl.		Ceramic	14"	M-1508 (Frt) M-1507 (Rr)	1-3/4	Pull Type

## FREIGHTLINER (MD & FL)

Diesel Business Class M Series FL Series Cummins B5.9, C8.3 ISB, ISC MBE900	1988-2008	6	CL1076217 (Includes Release Bear- ing)	107621-7	NCA-102048	M-1710	Ceramic	350	M-1331	1-1/2	Diaphragm Type
			CL1076835	107683-5	NCA-129059-1		Ceramic	14"	M-1507	1-3/4	Pull Type
			CL1072378	107237-10	NCA-129060-5 FW-140 Int. Pl.		Ceramic	14"	M-1508 (Frt) M-1507 (Rr)	1-3/4	Pull Type
			CL10734211	107342-11	NCA-129061-5 FW-140 Int. Pl.		Ceramic	14"	M-1679 (Frt) M-1678 (Rr)	2	Pull Type
MB OM366LA Cummins B5.9	1988-2002	6	CL1076217 (Includes Release Bear- ing)	107621-7	NCA-102048	M-1710	Ceramic	350	M-1331	1-1/2	Diaphragm Type
M2 (up to 860 ft/lb)		6	CL1042001	104200-1	NCA-138005-1		Ceramic	365	M-1951 (Frt) M-1950 (Rr)	1-3/4	Diaphragm Type
M2 / MBE904 (up to 520 ft/lb)		4	CL1041001	104100-1	NCA-138006-1		Ceramic	365	M-1978	1-3/4	Diaphragm Type

Engine	Years	Number of Cylinders	TRP® Part Number	Replaces Manufacturer's Part No.	Cover Assembly Number	Release Bearing Number	Friction Material	Disc (in or mm)	Disc	Spline Size	Notes
--------	-------	---------------------	------------------	----------------------------------	-----------------------	------------------------	-------------------	-----------------	------	-------------	-------

### HINO (145, 165, 185, 238, 258, 268, & 338)

FA, FB H06C-T	1989-2008	4	CL1073101	107310-1	NCA-102104		Ceramic	310	M-1805	1-1/2	Diaphragm Type
FA, FB J05C, D-T, FD, FE, FF FS, SG, J08C, D, E-T	1989-2008	4	CL1073501	107350-1	NCA-102101		Ceramic	350	M-1333	1-3/4	Diaphragm Type
JO8E-T	2005-2008	6	CL1076835	107683-5	NCA-129059-1		Ceramic	14"	M-1333	1-3/4	Pull Type

### ISUZU (N, F, & H SERIES)

Diesel 6BGI-NA, 6BGI-TC 6HKI, 6HEI-TCN 6HKI-TCN, 6HEI-T	1988-2008	6	CL1076061	107606-1	NCA-330-1928		Ceramic	330	M-0998-CV	1-1/2	Lever Type
NPR	1988-2008	4	CL10760613	107606-1	NCA-102038		Ceramic	310	M-1805	1-1/2	Diaphragm Type
Diesel FSR, FTR, FVR, FPR	1988-2008	6	CL1073501	107350-1	NCA-102101		Ceramic	350	M-1333	1-3/4	Diaphragm Type
Diesel FVR, EVR			CL1073503	107350-3	NCA-102101		Ceramic	350	M-1578	1-1/2	Diaphragm Type
Diesel 7.8L 6HKI	1988-2008	6	CL1073502	107350-2	NCA-102101		Ceramic	350	M-1331	1-1/2	Diaphragm Type
			CL1074011	107401-1	NCA-129060-2		Ceramic	14"	M-0950	1-3/4	Pull Type Short Sleeve
	2005-2008		CL1076835	107683-5	NCA-129059-1		Ceramic	14"	M-1507	1-3/4	Pull Type
			CL1072378	107237-10	NCA-129060-5 FW-140 Int. Pl.		Ceramic	14"	M-1508 (Frt) M-1507 (Rr)	1-3/4	Pull Type

### INTERNATIONAL TRUCK (DURA STAR 4100, 4300, & 4400)

Diesel Navistar 3.9, 6.9, 7.3	1987-1996	6 & 8	CL1076061	107606-1	NCA-330-1928		Ceramic	330	M-0998-CV	1-1/2	Lever Type
			CL10760613	107606-1	NCA-102038		Ceramic	310	M-1805	1-1/2	Diaphragm Type
			CL1076051	107605-1	NCA-330-1928		Ceramic	330	M-1013-CV	1-1/4	Lever Type
			CL10760513	107605-1	NCA-102038		Ceramic	310	M-1801	1-1/4	Diaphragm Type
			CL1047134	LP1047-134	NCA-14-1047		Organic	350	M-0638-CV	1-1/2	Lever Type

Engine	Years	Number of Cylinders	TRP® Part Number	Replaces Manufacturer's Part No.	Cover Assembly Number	Release Bearing Number	Friction Material	Disc (in or mm)	Disc	Spline Size	Notes
Gas & Diesel Navistar D354, V304, V345 V549, VS401, VS478 VS549, 392, BC150 BD100, DV550 RD372, 406, 450 461, 501 RD501 RD450	1965-1996	6 & 8	CL1933114	LP1933-114	NCA-330-1933		Organic	330	M-0618-CV	1-1/4	Lever Type
			CL1933134	LP1933-134	NCA-330-1933	M-1419	Organic	330	M-0622-CV	1-1/2	Lever Type
			CL1076211	107621-1	NCA-102048	M-1419	Ceramic	350	M-1331	1-1/2	Diaphragm Type
			CL1047134	LP1047-134	NCA-14-1047	M-1419	Organic	350	M-0638-CV	1-1/2	Lever Type
Diesel Navistar DT360, DT466, DT530, DT530 Maxx Force 7,9	1985-2008	6 & 8	CL1076835	107683-5	NCA-129059-1		Ceramic	14"	M-1507	1-3/4	Pull Type
			CL1072378	107237-10	NCA-129060-5 FW-140 Int. Pl.		Ceramic	14"	M-1508 (Frt) M-1507 (Rr)	1-3/4	Pull Type

### KENWORTH (K-260, K-270, T-170, T-270, T-300, & T-370)

ISB ISC PX-6 PX-8	1989-2008	6	CL1076835	107683-5	NCA-129059-1		Ceramic	14"	M-1507	1-3/4	Pull Type
			CL1072378	107237-10	NCA-129060-5 FW-140 Int. Pl.		Ceramic	14"	M-1508 (Frt) M-1507 (Rr)	1-3/4	Pull Type
			CL10734211	107342-11	NCA-129061-5 FW-140 Int. Pl.		Ceramic	14"	M-1679 (Frt) M-1678 (Rr)	2	Pull Type



Engine	Years	Number of Cylinders	TRP® Part Number	Replaces Manufacturer's Part No.	Cover Assembly Number	Release Bearing Number	Friction Material	Disc (in or mm)	Disc	Spline Size	Notes
--------	-------	---------------------	------------------	----------------------------------	-----------------------	------------------------	-------------------	-----------------	------	-------------	-------

### MAK Application Only

			CL11895059	108950-59	NCA-160051-1-M		Ceramic	14"	M-1625 (Frt) M-1626 (Rr)	2	
			CL11893515	108935-26	NCA-151455-6-M		Ceramic	15-1/2"	M-1614 (Frt & Rr)	2	
			CL11893551	108935-51	NCA-151455-4-M		Ceramic	15-1/2"	M-1197 (Frt) M-1198 (Rr)	2	
			CL11893582	108935-82	NCA-151455-4-M		Ceramic	15-1/2"	M-1489 (Frt & Rr)	2	
			CL11893591	108935-91	NCA-151455-4-M		Ceramic	15-1/2"	M-1586 (Frt) M-1587 (Rr)	2	
			CL11893594	108935-94	NCA-151455-6-M		Ceramic	15-1/2"	M-1586 (Frt) M-1587 (Rr)	2	
			CL10895059	108950-59	NCA-147890-1-M		Ceramic	14"	M-1625 (Frt) M-1626 (Rr)	2	
			CL10893515	108935-26	NCA-157898-6-M		Ceramic	15-1/2"	M-1614 (Frt & Rr)	2	
			CL10893551	108935-51	NCA-157898-4-M		Ceramic	15-1/2"	M-1197 (Frt) M-1198 (Rr)	2	
			CL10893582	108935-82	NCA-157898-4-M		Ceramic	15-1/2"	M-1489 (Frt & Rr)	2	
			CL10893591	108935-91	NCA-157898-4-M		Ceramic	15-1/2"	M-1586 (Frt) M-1587 (Rr)	2	
			CL10893594	108935-94	NCA-157898-6-M		Ceramic	15-1/2"	M-1586 (Frt) M-1587 (Rr)	2	
			CL10795059	107950-59	NCA-127390-1-M		Ceramic	15-1/2"	M-1625 (Frt) M-1626 (Rr)	2	

### MAK-MIDLINER (RENAULT) (RVI) (MS200 & MS250)

Diesel MS200 MS250 5.5L, 6.2L, 8.8L	1983-1999	6	CL1935136	LP1935-136	NCA-330-1935	065012 (Spicer Trans.) 318626 (Eaton Trans.)	Ceramic	330	M-0702-CV	1-1/2	Spicer & Eaton Trans.
			CL1073504 (Includes Release Bearing)	107350-4	NCA-102101	M-1615	Ceramic	350	M-1331	1-1/2	Spicer Trans. Only

Engine	Years	Number of Cylinders	TRP® Part Number	Replaces Manufacturer's Part No.	Cover Assembly Number	Release Bearing Number	Friction Material	Disc (in or mm)	Disc	Spline Size	Notes
--------	-------	---------------------	------------------	----------------------------------	-----------------------	------------------------	-------------------	-----------------	------	-------------	-------

### PETERBILT (200, 220, 330, & 335)

ISB ISC PX-6, PX-8	1989-2008	6	CL1076835	107683-5	NCA-129059-1		Ceramic	14"	M-1507	1-3/4	Pull Type
			CL1072378	107237-10	NCA-129060-5 FW-140 Int. Pl.		Ceramic	14"	M-1508 (Frt) M-1507 (Rr)	1-3/4	Pull Type
			CL10734211	107342-11	NCA-129061-5 FW-140 Int. Pl.		Ceramic	14"	M-1679 (Frt) M-1678 (Rr)	2	Pull Type

### STERLING (ACTERRA)

Diesel CUM ISB ISC MBE 900 Cat C-7	1998-2008	6	CL1076835	107683-5	NCA-129059-1		Ceramic	14"	M-1507	1-3/4	Pull Type
			CL1072378	107237-10	NCA-129060-5		Ceramic	14"	M-1508 (Frt) M-1507 (Rr)	1-3/4	Pull Type

# CROSS REFERENCE

## CROSS REFERENCE FOR CLUTCH ASSEMBLIES

### ALLIANCE

Table 8-6: Cross Reference for Alliance Clutch Assemblies

OEM Part No.	TRP® Part No.
ABP/R25-R141101RM	CL10705059
ABP/R25-R141101RM	CL10805059
ABP/R25-R141101RM	CL10803461
ABP/R25-R141101RM	CL11805059
ABP/R25-R141101RM	CL118050591
ABP/R25-R151406RM	CL10709174
ABP/R25-R151406RM	CL10709180
ABP/R25-R151406RM	CL107091747
ABP/R25-R151406RM	CL107091801
ABP/R25-R151406RM	CL107091741
ABP/R25-R151406RM	CL107091742
ABP/R25-R151406RM	CL107091802
ABP/R25-R151406RM	CL11839181
ABP/R25-R151406RM	CL118391741
ABP/R25-R151406RM	CL11839174
ABP/R25-R151406RM	CL10839174
ABP/R25-R151406RM	CL10839181
ABP/R25-R152705RM	CL10792582
ABP/R25-R152705RM	CL10892582
ABP/R25-R152705RM	CL11892582
ABP/R25-R152705RM	CCL11893582
ABP/R25-R153705RM	CL107925157
ABP/R25-R153705RM	CL107925152
ABP/R25-R153705RM	CL10792515
ABP/R25-R153705RM	CL118925157
ABP/R25-R153705RM	CL11892515

OEM Part No.	TRP® Part No.
ABP/R25-R153705RM	CL118925150
ABP/R25-R153705RM	CL10892515
ABP/R25-R153705RM	CL10839193
ABP/R25-R153755RM	CL10792515
ABP/R25-R153755RM	CL107925152
ABP/R25-R153755RM	CL107925157
ABP/R25-R153755RM	CL10892515
ABP/R25-R153755RM	CL118925150
ABP/R25-R153755RM	CL11892515
ABP/R25-R153755RM	CL118925157

### EATON

Table 8-7: Cross Reference for Eaton Clutch Assemblies

OEM Part No.	TRP® Part No.
107034-30	CL10703430
107034-30A	CL10703430
107034-30B	CL10703430
107034-30DR	CL10703430
107034-30MR	CL10703430
107034-32A	CL10703432
107034-32B	CL10703432
107034-32M0	CL10703432
107034-61	CL11803461
107034-61D0	CL11803461
107034-61DR	CL11803461
107034-61M0	CL11803461
107034-61MR	CL11803461
107034-82	CL11803461
107035-30M0	CL10703530
107035-32	CL10703532
107035-32	CL11803532
107035-32M0	CL10703532
107035-32M0	CL11803532
107035-82	CL10703582

OEM Part No.	TRP® Part No.	OEM Part No.	TRP® Part No.
107050-59	CL10705059	107091-27A	CL10709127
107050-59	CL107050592	107091-27B	CL10709127
107050-59B	CL10705059	107091-27MO	CL10709127
107050-59B	CL11805059	107091-55	CL10709155
107050-59B	CL118050591	107091-55A	CL10709155
107050-59D0	CL10705059	107091-74	CL10709174
107050-59D0	CL118050591	107091-74	CL107091742
107050-59D0	CL11805059	107091-74A	CL10709174
107050-59DR	CL10705059	107091-74A	CL107091742
107050-59DR	CL11805059	107091-74B	CL10709174
107050-59DR	CL118050591	107091-74B	CL107091742
107050-59MO	CL10705059	107091-74D0	CL10709174
107050-59MO	CL118050591	107091-74D0	CL107091742
107050-59MO	CL11805059	107091-74DR	CL10709174
107050-59MR	CL10705059	107091-74DR	CL107091742
107050-59MR	CL11805059	107091-74MO	CL10709174
107050-59MR	CL118050591	107091-74MO	CL107091742
107063-59	CL10706359	107091-74MR	CL10709174
107063-59	CL11806359	107091-74MR	CL107091742
107063-59D0	CL10706359	107091-80B	CL10709180
107063-59D0	CL11806359	107091-80B	CL107091802
107063-59DR	CL10706359	107091-80D0	CL107091802
107063-59DR	CL11806359	107091-80D0	CL10709180
107063-59MOX	CL10706359	107091-80DR	CL10709180
107063-59MOX	CL11806359	107091-80DR	CL107091802
107063-59MO	CL10706359	107091-80MO	CL107091802
107063-59MO	CL11806359	107091-80MO	CL10709180
107063-59MR	CL10706359	107091-80MR	CL10709180
107063-59MR	CL11806359	107091-80MR	CL107091802
107063-59MRX	CL10706359	107091-82	CL10709182
107063-59MRX	CL11806359	107137-8	CL1071378
107091-77	CL10709177	107137-10	CL1071378
107091-80	CL10709180	107137-10	CL10713783
107091-80	CL107091802	107137-16	CL10713716
107090-55	CL11806359	107137-16D0	CL10713716
107090-55A	CL10709055	107137-16MOX	CL10713716
107091-74	CL10709055	107137-16MO	CL10713716

OEM Part No.	TRP® Part No.
107142-2	CL1071422
107142-2A	CL1071422
107142-2C	CL1071422
107142-3	CL1071423
107142-3A	CL1071423
107142-3C	CL1071423
107213-5	CL1072135
107213-5A	CL1072135
107213-5D0	CL1072135
107213-5M0	CL1072135
107237-10	CL1072378
107237-24	CL10723724
107237-10MORMAN	CL1072378
107237-10MOX	CL1072378
107237-10MO	CL1072378
107237-10MRX	CL1072378
107237-16	CL10723716
107310-1	CL1073101
107335-61	CL10733561
107342-6	CL1073426
107342-11	CL10734211
107342-11	CL107342114
107342-20	CL10734220
107342-22	CL10734222
107350-1	CL1073501
107350-2	CL1073502
107350-3	CL1073503
107350-4	CL1073504
107391-74	CL11839174
107391-74	CL118391741
107391-74	CL118391747
107391-78	CL10739178
107391-93	CL10739193
107391-93	CL107391932
107401-1	CL1074011
107491-74	CL10749174
107605-1	CL10760513

OEM Part No.	TRP® Part No.
107605-1	CL1076051
107606-1	CL10760613
107606-1	CL1076061
107611-1	CL1938134
107611-2	CL1938124
107621-1	CL1076211
107621-1	CL10762116
107621-1P	CL1076211
107621-1P	CL10762116
107621-2	CL1076212
107621-7	CL1076217
107683-5	CL1076835
107684-5	CL1076845
107688-16	CL10768816
107683-16	CL10768316
107683-20	CL10768320
107688-7	CL1076887
107920-3	CL1079203
107920-7	CL1079207
107925-15	CL10792515
107925-15	CL107925152
107925-82	CL10792582
107925-82	CL107925827
107925-82	CL107925822
107925-82	CL107925821
107925-82	CL11892582
107925-82	CL118925821
107034-32	CL10703432
107034-53	CL10703453
107035-59	CL10706359
107935-51	CL10793551
107935-51	CL107935511
107935-51	CL107935512
107935-51	CL118935511
107935-51	CL11893551
107935-51B	CL10793551
107935-51B	CL107935511

OEM Part No.	TRP® Part No.	OEM Part No.	TRP® Part No.
107935-51B	CL107935512	108935-82	CL11893582
107935-51B	CL11893551	108035-82B	CL10803582
107935-51B	CL118935511	108050-59B	CL10805059
107935-51D0	CL107935512	108050-59MORMAN	CL10805059
107935-51D0	CL107935511	108050-59MOX	CL10805059
107950-59	CL10795059	108050-59MRX	CL10805059
107910-7	CL1079107	108063-59	CL10806359
107915-1	CL1079151	108334-22	CL10833422
107915-2	CL1079152	108390-77	CL10839077
107920-4	CL1079204	108391-74	CL10839174
107922-1	CL107925822	108391-74A	CL10839174
107935-15	CL10793515	108391-74B	CL10839174
107935-82	CL10793582	108391-74MORMAN	CL10839174
107935-82	CL107935822	108391-74MOX	CL10839174
107935-91	CL10793591	108391-74MO	CL10839174
107935-91	CL107935912	108391-74MRX	CL10839174
107935-94	CL10793594	108391-74PLT	CL10839174
107935-94	CL107935942	108391-77	CL10839177
107943-3	CL10794333	108391-77A	CL10839177
107943-3	CL1079433	108391-77B	CL10839177
108034-57	CL10803457	108391-78	CL10839178
108034-61	CL10803461	108391-78A	CL10839178
108034-61B	CL10803461	108391-78B	CL10839178
108034-82	CL10803482	108391-81	CL10839181
108034-82B	CL10803482	108391-81A	CL10839181
108035-82	CL10803582	108391-81B	CL10839181
108050-59	CL10805059	108391-93	CL10839193
108391-82	CL10839182	108391-93A	CL10839193
108391-83	CL10839183	108391-93B	CL10839193
108935-26	CL10893515	108925-20	CL10892515
108935-82	CL10893582	108925-25	CL10892515
108035-32	CL11803532	108925-70	CL10892570
108034-61	CL11803461	108925-70	CL11892570
108034-82	CL11803482	108925-82	CL10892582
108050-59	CL11805059	108935-15	CL10893515
108391-82	CL11839182	108935-15	CL11893515
108935-26	CL11893515	108935-51	CL10893551



OEM Part No.	TRP® Part No.
108935-51M0X	CL10893551
108935-91	CL10893591
108935-94	CL10893594
108950-59	CL10895059
109701-93	CL11839193

## HALDEX

Table 8-8: Cross Reference for Haldex Clutch Assemblies

OEM Part No.	TRP® Part No.
N1076835	CL1076835
N10805059	CL10805059
N10839174	CL10839174
N10839181	CL10839181
N10892582	CL10892582
N10893551	CL10893551

## MACK

Table 8-9: Cross Reference for Mack Clutch Assemblies

OEM Part No.	TRP® Part No.
11HB59-P111	CL10793591
11HB59-P111	CL11893591
11HB59-P114	CL11893551
11HB59-P115	CL10793591
11HB59-P115	CL11893591
11HB59-P116	CL10793551
11HB59-P116	C CL11893551
11HB59-P119	CCL11895059
11HB59-P120	CL10793594
11HB59-P120	CL11893594
11HB59-P121	CL11893515
11HB59-P122	CL10793551

OEM Part No.	TRP® Part No.
11HB59-P122	CL11893551
11HB59-P123	CL10793591
11HB59-P123	CL11893591
11HB59-P124	CL10793551
11HB59-P124	CL11893551
11HB59-P127	CL11893582
11HB59-P128	CL11893515

## PACELINE

Table 8-10: Cross Reference for Paceline Clutch Assemblies

OEM Part No.	TRP® Part No.
107050-59KW	CL10705059
107050-59KW	CL118050591
107050-59KW	CL11805059
107063-59KW	CL10706359
107063-59KW	CL11806359
107063-59M0X	CL10706359
107063-59M0X	CL11806359
107063-59MRX	CL10706359
107063-59MRX	CL11806359
107091-77KW	CL10839177
107213-5KW	CL1072135
107334-64KW	CL11803461
107391-93KW	CL10739193
107391-93KW	CL107391931
107391-93KW	CL11839193
107391-93KW	CL118391931
107391-93KW	CL118391937
107625-51KW	CL107935511
107910-3KW	CL10703432
107910-3KW	CL10703430
107910-4KW	CL10703430

OEM Part No.	TRP® Part No.
107910-4KW	CL10703432
107910-6KW	CL10733561
107920-3KW	CL1079203
107920-7KW	CL107091742
107920-7KW	CL11839174
107921-1KW	CL107091742
108034-61KW	CL11803461
108050-59KW	CL11805059
108050-59KW	CL10805059
108391-74KW	CL10839174
108391-93KW	CL107391931
108391-74KW	CL10839193
108925-15KW	CL10892515
PAC0163-120	CL0163120
PAC0163-120	CL0163120
PAC1047-134	CL1047134
PAC1067-144	CL1067144
PAC1067-144	CL1067144
PAC107034-30	CL10703430
PAC107034-30	CL10703430
PAC107034-30RMN	CL10703430
PAC107034-30RMN	CL11803532
PAC107034-32	CL10703432
PAC107034-32	CL10703432
PAC107034-32	CL10803482
PAC107034-32RMN	CL10703432
PAC107034-32RMN	CL10803482
PAC107034-82	CL11803482
PAC107035-30	CL10703530
PAC107035-30	CL10703530
PAC107035-32	CL10703532
PAC107035-32	CL10703532
PAC107035-32	CL11803532
PAC107035-82	CL10703582
PAC107035-82	CL10703582
PAC107050-59	CL10705059

OEM Part No.	TRP® Part No.
PAC107050-59	CL10705059
PAC107050-59	CL11805059
PAC107050-59	CL10805059
PAC107050-59C	CL107050597
PAC107050-59C	CL10705059
PAC107050-59C	CL11805059
PAC107050-59C	CL10805059
PAC107050-59J	CL107050592
PAC107050-59J	CL10705059
PAC107050-59J	CL10805059
PAC107050-59J	CL11805059
PAC107050-59K	CL107050591
PAC107050-59K	CL10705059
PAC107050-59K	CL11805059
PAC107050-59K	CL118050591
PAC107050-59K	CL10805059
PAC107050-59P	CL10705059
PAC107050-59P	CL10805059
PAC107050-59P	CL11805059
PAC107050-59PRM	CL107050595
PAC107050-59PRM	CL10705059
PAC107050-59PRM	CL11805059
PAC107050-59PRM	CL10805059
PAC107050-59RMN	CL10705059
PAC107050-59RMN	CL10805059
PAC107050-59RMN	CL11805059
PAC107050-59WM	CL107050599
PAC107050-59WM	CL10705059
PAC107050-59WM	CL10805059
PAC107050-59WM	CL11805059
PAC107063-59	CL10706359
PAC107063-59	CL10706359
PAC107063-59	CL11806359
PAC107063-59C	CL107063597
PAC107063-59C	CL10706359
PAC107063-59C	CL107063597

OEM Part No.	TRP® Part No.
PAC107063-59C	CL11806359
PAC107063-59RMN	CL10706359
PAC107063-59RMN	CL11806359
PAC107090-55	CL10709055
PAC107090-55	CL10709055
PAC107091-21	CL10709121
PAC107091-21	CL10709121
PAC107091-27	CL10709127
PAC107091-27	CL10709127
PAC107091-55	CL10709155
PAC107091-55	CL10709155
PAC107091-74	CL10709174
PAC107091-74	CL10709174
PAC107091-74	CL11839174
PAC107091-74	CL10839174
PAC107091-74C	CL107091747
PAC107091-74C	CL10709174
PAC107091-74C	CL107091747
PAC107091-74C	CL10839174
PAC107091-74C	CL118391747
PAC107091-74C	CL11839174
PAC107091-74H	CL10709174
PAC107091-74H	CL11839174
PAC107091-74H	CL10839174
PAC107091-74J	CL107091742
PAC107091-74J	CL10709174
PAC107091-74J	CL10839174
PAC107091-74J	CL11839174
PAC107091-74K	CCL107091741
PAC107091-74K	CL10709174
PAC107091-74KP	CL107091741
PAC107091-74K	CL10839174
PAC107091-74K	CL118391741
PAC107091-74K	CL11839174
PAC107091-74KRMN	CL10709174
PAC107091-74KRMN	CL107091741
PAC107091-74KRMN	CL118391741
PAC107091-74KRMN	CL11839174

OEM Part No.	TRP® Part No.
PAC107091-74KRMN	CL10839174
PAC107091-74P	CL107091745
PAC107091-74P	CL10709174
PAC107091-74P	CL10839174
PAC107091-74P	CL11839174
PAC107091-74PRM	CL107091745
PAC107091-74PRM	CL10709174
PAC107091-74PRM	CL107091745
PAC107091-74PRM	CL11839174
PAC107091-74PRM	CL10839174
PAC107091-74RMN	CL10709174
PAC107091-74RMN	CL10839174
PAC107091-74RMN	CL11839174
PAC107091-77	CL10709177
PAC107091-77	CL11839177
PAC107091-77	CL10839177
PAC107091-77RMN	CL11839177
PAC107091-77RMN	CL10839177
PAC107091-80	CL10709180
PAC107091-80	CL10709180
PAC107091-80	CL107091802I
PAC107091-80J	CL107091802
PAC107091-80J	CL10709180
PAC107091-80K	CL107091801
PAC107091-80K	CL10709180
PAC107091-80K	CL107091801
PAC107091-80KRMN	CL107091801
PAC107091-80KRMN	CL10709180
PAC107091-80RMN	CL10709180
PAC107091-80RMN	CL107091802
PAC107091-82	CL10709182
RPAC107091-82	CL10709182
PAC107091-82	CL10839182
PAC107091-82	CL11839182
PAC107137-16	CL10713716
PAC107137-16	CL10713716
PAC107137-8	CL1071378
PAC107137-8	CL1071378

OEM Part No.	TRP® Part No.
PAC107137-8	CL10713783
PAC107137-8B	CL1071378
PAC107137-8B	CL10713783
PAC107137-8S	CL10713783
PAC107137-8S	CL10713783
PAC107137-8S	CL1071378
PAC107142-2	CL1071422
PAC107142-2	CL1071422
PAC107142-3	CL1071423
PAC107142-3	CL1071423
PAC107146-6	CL1071466
PAC107146-6	CL1071466
PAC1072-134	CL1072134
PAC1072-134	CL1072134
PAC107213-5	CL1072135
PAC107213-5	CL1072135
PAC1072-138	CL1072138
PAC1072-138	CL1072138
PAC1072-138C	CL10721387
PAC1072-138C	CL10721387
PAC107237-16	CL10723716
PAC107237-16	CL10723716
PAC107237-8	CL1072378
PAC107237-8	CL1072378
PAC107237-8SR	CL10723784
PAC107237-8SR	CL10723784
PAC107237-8SR	CL1072378
PAC107237-8WM	CL10723789
PAC107237-8WM	CL1072378
PAC107237-8WM	CL10723789
PAC107310-1	CL1073101
PAC107310-1	CL1073101
PAC107335-61	CL10733561
PAC107335-61	CL10733561
PAC107342-11	CL10734211
PAC107342-11	CL10734211
PAC107342-11SR	CL107342114

OEM Part No.	TRP® Part No.
PAC107342-11SR	CL107342114
PAC107342-20	CL10734220
PAC107342-20	CL10734220
PAC107342-22	CL10734222
PAC107342-22	CL10734222
PAC107350-1	CL1073501
PAC107350-1	CL1073501
PAC107350-2	CL1073502
PAC107350-2	CL1073502
PAC107350-3	CL1073503
PAC107350-3	CL1073503
PAC107350-4	CL1073504
PAC107350-4	CL1073504
PAC107391-74	CL11839174
PAC107391-74	CL118391741
PAC107391-74	CL10839174
PAC107391-78	CL10739178
PAC107391-78	CL10739178
PAC107391-78	CL11839178
PAC107391-78	CL10839178
PAC107391-93	CL10739193
PAC107391-93	CL10739193
PAC107391-93	CL10839193
PAC107391-93	CL11839193
PAC107391-93C	CL107391937
PAC107391-93C	CL107391937
PAC107391-93C	CL10839193
PAC107391-93C	CL118391937
PAC107391-93J	CL107391932
PAC107391-93J	CL10839193
PAC107391-93K	CL107391931
PAC107391-93K	CL107391931
PAC107391-93K	CL10839193
PAC107391-93K	CL118391931
PAC107391-93KRMN	CL107391931
PAC107391-93KRMN	CL10839193
PAC107391-93RMN	CL10739193

OEM Part No.	TRP® Part No.
PAC107391-93RMN	CL10839193
PAC107391-93RMN	CL11839193
PAC107401-1	CL1074011
PAC107401-1	CL1074011
PAC107605-1	CL1076051
PAC107605-1	CL1076051
PAC107605-1S	CL10760513
PAC107605-1S	CL10760513
PAC107606-1	CL1076061
PAC107606-1	CL1076061
PAC107606-1S	CL10760613
PAC107606-1S	CL10760613
PAC107621-1	CL1076211
PAC107621-1	CL1076211
PAC107621-11	CL10762111
PAC107621-11	CL10762111
PAC107621-1P	CL10762116
PAC107621-1P	CL1076211
PAC107621-1P	CL10762116
PAC107621-2	CL1076212
PAC107621-2	CL1076212
PAC107621-7	CL1076217
PAC107621-7	CL1076217
PAC107683-16	CL10768316
PAC107683-16	CL10768316
PAC107683-20	CL10768320
PAC107683-20	CL10768320
PAC107683-5	CL1076835
PAC107683-5	CL1076835
PAC107684-5	CL1076887
PAC107684-5	CL1072135
PAC107688-7	CL1076887
PAC107688-7	CL1076887
PAC107910-4	CL1079104
PAC107910-4	CL1079104
PAC107920-3	CL1079203
PAC107920-3	CL1079203
PAC107920-7	CL1079207

OEM Part No.	TRP® Part No.
PAC107920-7	CL1079207
PAC107922-1	CL1079221
PAC107922-1	CL1079221
PAC107925-15	CL10792515
PAC107925-15	CL10792515
PAC107925-15	CL10892515
PAC107925-15	CL11892515
PAC107925-15	CL118925150
PAC107925-15C	CL107925157
PAC107925-15C	CL107925157
PAC107925-15C	CL10792515
PAC107925-15C	CL10892515
PAC107925-15C	CL118925157
PAC107925-15J	CL107925152
PAC107925-15J	CL10792515
PAC107925-15J	CL107925152
PAC107925-15J	CL10892515
PAC107925-82	CL10792582
PAC107925-82	CL107925825
PAC107925-82	CL10792582
PAC107925-82	CL11892582
PAC107925-82	CL10892582
PAC107925-82C	CL107925827
PAC107925-82C	CL107925827
PAC107925-82C	CL10892582
PAC107925-82J	CL107925822
PAC107925-82J	CL107925822
PAC107925-82J	CL10892582
PAC107925-82K	CL107925821
PAC107925-82K	CL107925821
PAC107925-82K	CL10892582
PAC107925-82K	CL118925821
PAC107925-82KRMN	CL107925821
PAC107925-82KRMN	CL118925821
PAC107925-82KRMN	CL10892582
PAC107925-82P	CL10892582
PAC107925-82PRM	CL107925825
PAC107925-82PRM	CL107925825

OEM Part No.	TRP® Part No.
PAC107925-82PRM	CL10892582
PAC107925-82RMN	CL10792582
PAC107925-82RMN	CL10892582
PAC107935-15	CL10793515
PAC107935-15	CL10793515
PAC107935-51	CL10793551
PAC107935-51	CL10793551
PAC107935-51	CL10793551
PAC107935-51	CL10793551
PAC107935-51	CL10893551
PAC107935-51	CL11893551
PAC107935-51J	CL107935512
PAC107935-51J	CL10793551
PAC107935-51J	CL10793551
PAC107935-51J	CL107935512
PAC107935-51J	CL10893551
PAC107935-51K	CL10793551
PAC107935-51K	CL10793551
PAC107935-51K	CL10793551
PAC107935-51K	CL10893551
PAC107935-51K	CL11893551
PAC107935-51KRMN	CL10793551
PAC107935-51KRMN	CL10793551
PAC107935-51KRMN	CL11893551
PAC107935-51KRMN	CL10893551
PAC107935-51RMN	CL10793551
PAC107935-51RMN	CL10793551
PAC107935-51RMN	CL10893551
PAC107935-51RMN	CL11893551
PAC107935-82	CL10793582
PAC107935-82	CL10793582
PAC107935-82J	CL107935822
PAC107935-82J	CL107935822
PAC107935-91	CL10793591
PAC107935-91	CL10793591
PAC107935-91	CL11893591
PAC107935-91H	CL10793591
PAC107935-91J	CL107935912
PAC107935-91J	CL10793591

OEM Part No.	TRP® Part No.
PAC107935-91J	CL107935912
PAC2076-139	CL2076139
PAC330-1927	CL3301927
PAC330-1927	CL3301927
PAC803457	CL10803457
PAC803457	CL10803457
PAC803461	CL10803461
PAC803461	CL10803461
PAC803482	CL10803482
PAC803482	CL10803482
PAC803582	CL10803582
PAC803582	CL10803582
PAC805059	CL10805059
PAC805059	CL10805059
PAC806359	CL10806359
PAC806359	CL10806359
PAC833422	CL10833422
PAC833422	CL10833422
PAC839077	CL10839077
PAC839077	CL10839077
PAC839174	CL10839174
PAC839174	CL10839174
PAC839177	CL10839177
PAC839177	CL10839177
PAC839178	CL10839178
PAC839178	CL10839178
PAC839181	CL10839181
PAC839181	CL10839181
PAC839182	CL10839182
PAC839182	CL10839182
PAC839183	CL10839183
PAC839183	CL10839183
PAC839193	CCL10839193
PAC839193	CL10839193
PAC892515	CL10892515
PAC892515	CL10792515
PAC892515	CL10892515
PAC892570	CL10892570



OEM Part No.	TRP® Part No.
PAC892570	CL10892570
PAC892582	CL10892582
PAC892582	CL10892582
PAC893515	CL10893515
PAC893515	CL10893515
PAC893551	CL10893551
PAC893551	CL10893551
PAC893582	CL10893582
PAC893582	CL10893582
PAC893591	CL10893591
PAC893591	CL10893591
PAC893594	CL10893594
PAC893594	CL10893594
PAC895059	CL10895059
PAC895059	CL10895059
PC107034-32RMAN	CL10703432
PC107034-32RMAN	CL11803532
PC107034-32RMAN	CL10803482
PC107050-59RMAN	CL10705059
PC107050-59RMAN	CL10805059
PC107050-59RMAN	CL11805059
PC107050-59RMAN	CL118050591
PC107063-59RMAN	CL10706359
PC107063-59RMAN	CL11806359
PC107091-74KRMAN	CL10709174
PC107091-74KRMAN	CL107091741
PC107091-74KRMAN	CL118391741
PC107091-74KRMAN	CL11839174
PC107091-74KRMAN	CL10839174
PC107091-74RMAN	CL10709174
PC107091-74RMAN	CL11839174
PC107091-74RMAN	CL10839174
PC107091-77RMAN	CL10839177
PC107091-77RMAN	CL11839177
PC107091-80KRMAN	CL107091801

OEM Part No.	TRP® Part No.
PC107091-80KRMAN	CL10709180
R PC107091-80RMAN	CL10709180
PC107237-8RMAN	CL1072378
PC107237-8RMAN	CL1071378
PC107237-8RMAN	CL10713783
PC107391-93KRMAN	CL107391931
PC107391-93KRMAN	CL118391931
PC107391-93KRMAN	CL10839193
PC107391-93RMAN	CL10739193
PC107391-93RMAN	CL10839193
PC107391-93RMAN	CL11839193
PC107391-93RMAN	CL118391937
PC107925-82KRMAN	CL107925821
PC107925-82KRMAN	CL118925821
PC107925-82KRMAN	CL10892582
PC107925-82RMAN	CL11892582
PC107925-82RMAN	CL10892582
PC107935-51KRMAN	CL10793551
PC107935-51KRMAN	CL107935511
PC107935-51KRMAN	CL118935511
PC107935-51KRMAN	CL10893551
PC107935-51RMAN	CL10793551
PC107935-51RMAN	CL107935511
PC107935-51RMAN	CL107935512
PC107935-51RMAN	CL10893551
PC107935-51RMAN	CL11893551
PC108034-82RMAN	CL10803482
PC108050-59KRMAN	CL10805059
PC108050-59RMANO	CL10805059
PC108391-74KRMAN	CL10839174
PC108391-74RMAN	CL10839174
PC108391-81KRMAN	CL10839181
PC108391-81RMAN	CL10839181
PC108391-82RMAN	CL10839182
PC108391-93RMAN	CL10839193

OEM Part No.	TRP® Part No.
PC108925-15RMAN	CL10792515
PC108925-15RMAN	CL10892515
PC108925-82KRMAN	CL10892582
PC108925-82RMAN	CL10892582
PC108935-51RMAN	CL10893551



## CLUTCH PARTS

### CLUTCH REPLACEMENT COMPONENTS

The TRP® clutch program offers a wide breadth of clutch replacement components that include clutch brakes, pilot bearings, clutch release yokes and clutch installation kits.



### HINGED LOCKING CLUTCH BRAKES

The purpose of the clutch brake is to slow down or stop the transmission input shaft from rotating when the clutch pedal is depressed. Now you can replace worn or damaged clutch brakes without removing the transmission.

TRP®	Hinged Clutch Brake Application
CPBK312SP	1 ¾" (.380" thick)
CPBK313SP	2" (.380" thick)
CPBK313500SP	2" (.500" thick)
CPBK313465SP	2" (.450" thick)
CPBK313550SP	2" (.550" thick)

### TORQUE LIMITING & TWO PIECE CLUTCH BRAKES

TRP®	Clutch Brake Application
CP127740	1 ¾" Torque Limiting (.380" thick)
CP127200	2" Two-Piece
CP127760	2" Torque Limiting (.380" thick)
CP127760500	2" Torque Limiting (.500" thick)
CP127760465	2" Torque Limiting (.450" thick)



### PILOT BEARINGS & HIGH TEMPERATURE PILOT BEARINGS

High temperature grease is specially formulated to increase product life, exceeding the engine manufacturer's requirements. High temperature pilot bearings should be used for today's high torque engines that operate at low RPMs and higher operating temperatures.

TRP®	Pilot Bearing Application
CP6306ZZ	2.833" x 1.179"
CP6306ZZS	2.833" x 1.179" w/ snap ring
CP6305ZZ	2.440" x .985"
CP63062RS2HT	2.833" x 1.179" High Temperature
CP63062RS2SHT	2.833" x 1.179" High Temp - w/ snap ring (Mack)

### CLUTCH INSTALLATION KITS

TRP®	Application
CL1771	RT Series
CL1916	RT Series w/ Mack Style Pilot Bearing
CL1910	FR Series
CL1915	FR Series w/ Mack Style Pilot Bearing

Scan the code for more information.  
Get the free mobile app at <http://gettag.mobi>



## CLUTCH PARTS

### CLUTCH BRAKES



Table 8-11: Clutch Brakes

Part No.	Measurements	Notes
<b>ONE OR TWO-PIECE CLUTCH BRAKES</b>		
CP127175	1-3/4" (4.4cm)	Two-Piece
CP127187	1-3/4" (4.4cm)	One-Piece
CP127200	2" (5.1cm)	Two-Piece
CP127237	2" (5.1cm)	One-Piece
<b>TORQUE LIMITING CLUTCH BRAKES</b>		
CP127740	1-3/4" (4.4cm), Torque Limiting, 3/8" (.95cm) Thick	
CP127740500	1-3/4" (4.4cm), Torque Limiting, 1/2" (1.3cm) Thick	
CP127760	2" (5.1cm), Torque Limiting, 3/8" (.95cm) Thick	
CP127760465	2" (5.1cm), Torque Limiting, 7/16" (1.1cm) Thick, Oversize	
CP127760500	2" (5.1cm), Torque Limiting, 1/2" (1.3cm) Thick, Oversize	
<b>HINGED CLUTCH BRAKES</b>		
CPBK312SP	1-3/4" (4.4cm) Hinged, 3/8" (.95cm) Thick, Locking	
CPBK313465SP	2" (5.1cm) Hinged, 7/16" (1.1cm) Thick, Locking	

Part No.	Measurements	Notes
CPBK313500SP	2" (5.1cm) Hinged, 1/2" (1.3cm) Thick, Locking	
CPBK313550SP	2" (5.1cm) Hinged, 9/16" (1.4cm) Thick, Locking	
CPBK313SP	2" (5.1cm) Hinged, 3/8" (.95cm) Thick, Locking	

## WASHERS

CP125C41125	2" x 1/8" (5.1cm x .32cm)
CP125C41187	2" x 3/16" (5.1cm x .48cm)

### WHEN TO USE AN OVERSIZED CLUTCH BRAKE OR BRAKE WASHERS

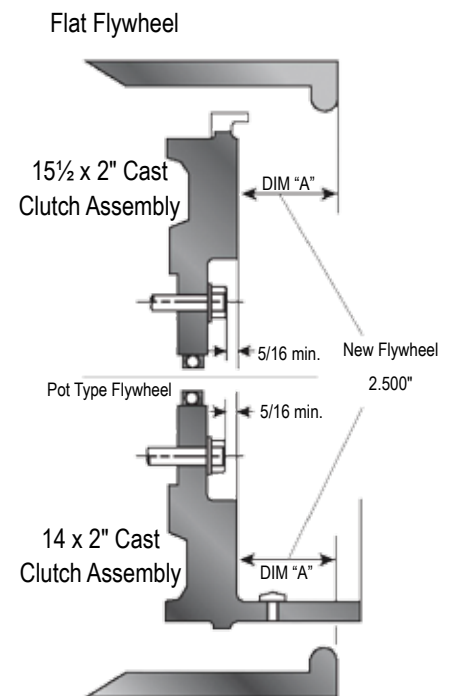
Every clutch replacement requires flywheel resurfacing. The use of ceramic friction materials requires more material be removed in the resurfacing process. This results in the clutch assembly being moved closer to the engine and away from the transmission. Pre-adjustment of the clutch to compensate for a larger "clutch envelope" results in diminished adjustment during the life of the clutch or can even cause malfunction within the clutch assembly.

After installing the resurfaced flywheel, determine dimension "A" as shown in the drawing on the right. Then select the corresponding clutch brake (hinged or torque limiting) and/or washers. Installing a thicker clutch brake will minimize the amount of clutch pre-adjustment and maximize the life of the clutch.

### NEW IMPROVED DESIGN, HINGED LOCKING CLUTCH BRAKE!

The purpose of the clutch brake is to slow down or stop the transmission input shaft from rotating when the clutch pedal is depressed. Now you can replace worn or damaged clutch brakes without removing the transmission.

The easy installation (secured with a bolt, 5/32" Allen Wrench is included) saves time and money.



## PLUGS, RINGS & GASKETS

Table 8-12: Plugs, Rings & Gaskets

Part No.	Description
CP14750	Inner Retaining Ring
CP16980	Outer Retaining Ring
CP1768	Gasket Kit
CP20822	Clutch Housing Gasket
CP4305230RP	Rubber Plug
CP4303431	Shift Level Housing Gasket

## PILOT BEARINGS



### HIGH TEMPERATURE

High temperature grease is specially formulated to increase product life, exceeding the engine manufacturer's requirements.

- C5 internal clearance accommodates the new guidelines from engine manufacturers and increases product life.
- Large ball diameter results in larger dynamic radial load rating than similar products on the market.
- Required for today's high torque engines that operate at a low RPMs and higher operating temperatures.
- High temperature "Flourine" seals are an improved version of Viton® material.

Table 8-13: Pilot Bearings

Part No.	Measurements	Notes
CP6203ZZ	1-9/16" x 11/16" (4.0cm x 1.7cm)	
CP6204ZZ	1-7/8" x 13/16" (4.8cm x 2.1cm)	
CP62052RS2HT	2-1/16" x 1" (5.2cm x 2.5cm)	Med. Duty, High Temp
CP6205ZZ	2-1/16" x 1" (5.2cm x 2.5cm)	
CP6206ZZ	2-7/16" x 1-3/16" (6.2cm x 4.6cm)	
CP6304ZZ	1-7/8" x 13/16" (4.8cm x 2.1cm)	
CP6305ZZ	2-7/16" x 1" (6.2cm x 2.5cm)	
CP63062RS2HT	2-13/16" x 1-3/16" (7.1cm x 3.0cm)	High Temp
CP63062RS2SHT	2-13/16" x 1-3/16" (7.1cm x 3.0cm)	High Temp w/ Snap Ring
CP6306ZZ	2-13/16" x 1-3/16" (7.1cm x 3.0cm)	
CP6306ZZS	2-13/16" x 1-3/16" (7.1cm x 3.0cm)	w/ Snap Ring
CP6306ZZSRG	2-13/16" x 1-3/16" (7.1cm x 3.0cm)	w/ Groove only
CP6212ZNBR	4.325" x 2.355"	Bearing, Input Shaft

## BEARING COVERS

Table 8-14: Clutch Sleeve & Bearing Assemblies

Part No.	Description
CP14311	Front Bearing Cover Gasket
CP20550	Front Bearing Cover



## PILLOW BLOCK BEARINGS

Table 8-15: Pillow Block Bearings

Part No.	Measurements
BWHCP20516	1" (2.5cm)
BWHCP20720	1-1/2" (3.8cm)
BWHCP20824	1-1/2" (3.8cm)

## ADJUSTMENT & ALIGNMENT TOOLS

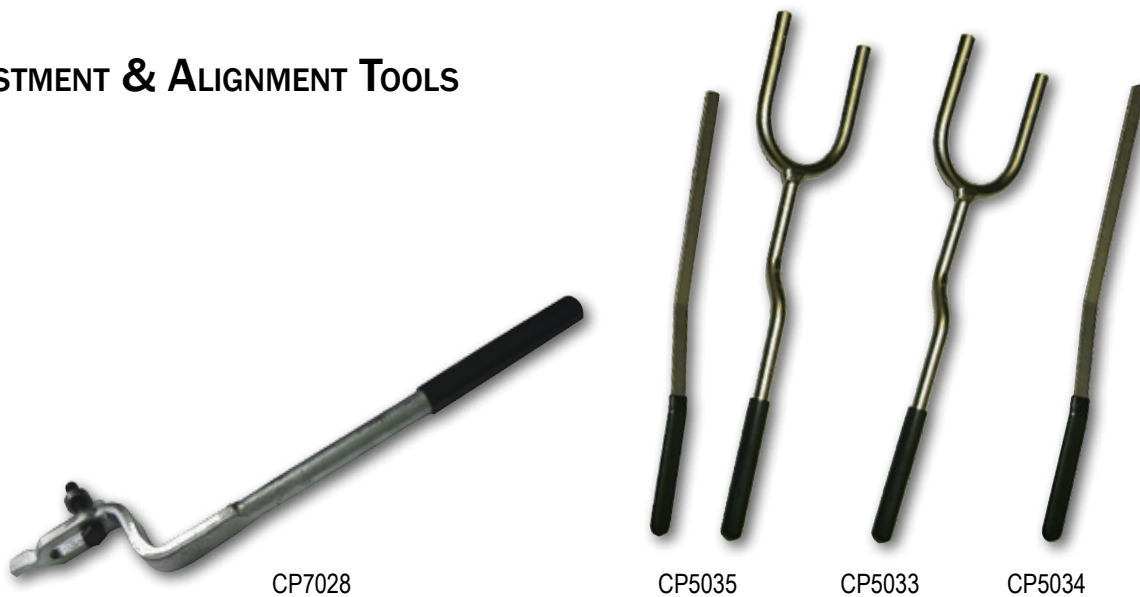


Table 8-16: Clutch Adjustment & Alignment Tools

Part No.	Description
CP125489	Assembly, Spring-A-Just (9 teeth)
CP5033	Adjustment Tool, 1/2" (1.3cm) Gauge
CP5034	Adjustment Tool, 1/8" (.32cm) Gauge
CP5035	Tool Kit, 1/8" (.32cm) & 1/2" (1.3cm) Gauges
CP7028	Clutch Adjusting Tool
CPAT125	Alignment Tool, 1-1/4" (3.2cm) Spline x 1" (2.5cm) Pilot
CPAT138	Alignment Tool, 1-3/8" (3.5cm) Spline x 1" (2.5cm) Pilot
CPAT150AS	Alignment Tool, 1-1/2" (3.8cm) Spline x 3/4" (1.9cm) Pilot
CPAT150S	Alignment Tool, 1-1/2" (3.8cm) Spline x 1" (2.5cm) Pilot
CPAT150T	Alignment Tool, 1-1/2" (3.8cm) Spline x 1-3/16" (3.0cm) Pilot
CPAT175AEX	Alignment Tool, 1-3/4" (4.4cm) Spline x 1" (2.5cm) Pilot
CPAT175EX	Alignment Tool, 1-3/4" (4.4cm) Spline x 1-3/16" (3.0cm) Pilot
CPAT200EX	Alignment Tool, 2" (5.1cm) Spline x 1-3/16" (3.0cm) Pilot



## BELL HOUSING COVER KITS, HOSES & PLUG

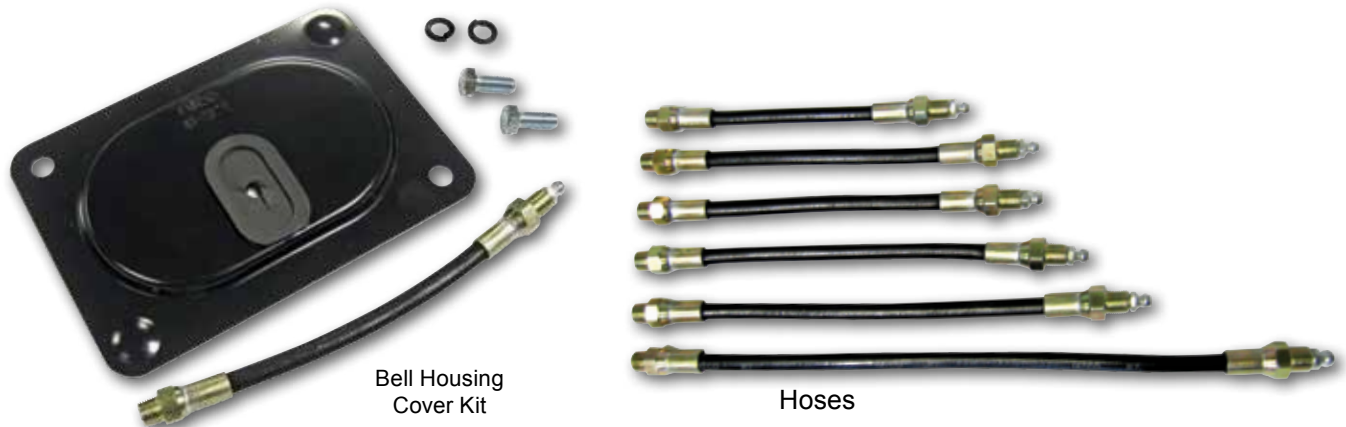


Table 8-17: Clutch Bell Housing Cover Kits & Hoses

Part No.	Measurements	Notes
<b>BELL HOUSING COVER KITS</b>		
CP4305230A		No hose included
CP4305230A6P	6" (15.2cm) Hose	
CP4305230A7P	7" (17.8cm) Hose	
CP4305230A8P	8" (20.3cm) Hose	
CP4305230A9P	9" (22.9cm) Hose	
CP4305230A12P	12" (30.5cm) Hose	
<b>BELL HOUSING COVER HOSES</b>		
CPCLT006P	6" (15.2cm)	
CPCLT007P	7" (17.8cm)	
CPCLT008P	8" (20.3cm)	
CPCLT009P	9" (22.9cm)	
CPCLT012P	12" (30.5cm)	
<b>BELL HOUSING COVER PLUG</b>		
CP4305230RP		Rubber Plug



### STOP THE INTRODUCTION OF DANGEROUS CONTAMINATION INTO THE CLUTCH BELL HOUSING!

TRP® has the hand hole cover assembly available with a plug that will still allow passage of the grease hose while sealing the oversize hole in the hand hole cover to discourage the entry of the contaminants.

Simply insert the grease hose through the hole in the plug, attach the hose fitting to the clutch bearing housing assembly, and then attach the hand hole cover to the clutch bell housing.

## FORKS, SHAFTS, & BUSHINGS

ESSENTIAL REPLACEMENT WEAR COMPONENTS TO AVOID MISALIGNMENT.

Table 8-18: Clutch Forks, Shafts, Bushings

Part No.	Description
CP105C137	Clutch Release Fork 14" (35.6cm) & 15-1/2" (39.4cm)
CP106C1047	Cross Shaft
CP106C1498	Cross Shaft
CP128C204	Shaft Bushing, Set of 4
CP1770	Bushing, Cross Shaft
CP6212ZNBR	Input Shaft Bearing 4-5/16" x 2-3/8" (11.0cm x 6.0cm)
CP8677	Bushing, Cross Shaft
CP97509101X	Roller Style Release Fork



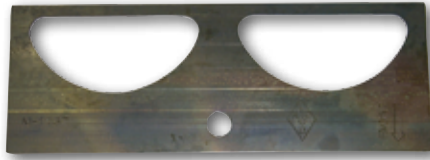
## SLEEVE AND BEARING ASSEMBLIES



Table 8-19: Clutch Sleeve & Bearing Assemblies

Part No.	Measurements	Application	Notes
CP187140	1-1/2" (3.8cm)	Freightliner	Sleeve & Bearing Assembly
CP187144	1-1/2" (3.8cm)	Mack-Midliner	Sleeve & Bearing Assembly
CP572107C91	1-1/2" (3.8cm)	Navistar	Sleeve & Bearing Assembly

## ANTI-RATTLE SPRINGS



CP161C5

Table 8-20: Clutch Anti-Rattle Springs

Part No.	Description
CP161C5	Anti-Rattle Spring, 14" (35.6cm)
CP161C53	Anti-Rattle Spring, Set of 3

## DRIVE LUGS & NUTS



CP0285



CP274C28



CPFW145



CPFW146



CP274C66

Table 8-21: Clutch Drive Lugs &amp; Nuts

Part No.	Description	Application
CP0285	Drive Lug Alignment Tool	
CP21AC8156	Drive Lug Nut, Set of 6	Mack
CP274C28	Drive Lug	Mack
CP274C286	Drive Lug, Set of 6	Mack
CP274C28K	Drive Lug, w/ 6 Drive Lug Nuts, Set of 6	Mack
CP274C6	Drive Lug	
CP274C66	Drive Lug, Set of 6	
CP274C6K	Drive Lug, w/ 12 Allen Head Screws, Set of 6	
CPFW145	Set of 8 Mounting Bolts, 8 Washers (SAS1401)	Freightliner
CPFW146	Set of 8 Mounting Bolts, 8 Washers (SAS1402)	Freightliner

# CROSS REFERENCE FOR CLUTCH PARTS

## CROSS REFERENCE FOR PARTS

### ILLINOIS AUTO TRUCK PARTS

Table 8-22: Cross Reference for Illinois Auto Truck Parts

OEM Part No.	TRP® Part No.
4305230	CP4305230A
4305230A12P	CP4305230A12P
4305230A6P	CP4305230A6P
4305230A7P	CP4305230A7P
4305230A8P	CP4305230A8P
4305230A9P	CP4305230A9P
4305230RP	CP4305230RP
6203-ZZ	CP6203ZZ
6204-ZZ	CP6204ZZ
6205-ZZ	CP6205ZZ
6206-ZZ	CP6206ZZ
6304-ZZ	CP6304ZZ
6305-ZZ	CP6305ZZ
6306-2RS2/C5-HT	CP63062RS2HT
6306-2RS2/C5-S-HT	CP63062RS2SHT
6306-ZZ	CP6306ZZ
6306-ZZ-S	CP6306ZZS
6306-ZZ-SRG	CP6306ZZSRG
CLT0012P	CPCLT012P
CLT006P	CPCLT006P
CLT007P	CPCLT007P
CLT008P	CPCLT008P
CLT009P	CPCLT009P
FW-145	CPFW145
FW-146	CPFW146
M-0226-R	CP274C6

OEM Part No.	TRP® Part No.
M-0226-R-6	CP274C66
M-0285	CP0285
M-0360	CP274C28
M-0360-6	CP274C286
M-1017	CP127175
M-1018	CP127200
M-1030-6	CP21AC8156
M-1073	CP127187
M-1074	CP127237
M-1137	CP161C5
M-1137-3	CP161C53
M-1263	CP105C137
M-1419	CP572107C91
M-1609	CP127740
M-1610	CP127760
M-1615	CP187144
M-1616-4	CP128C204
M-1655	CP106C1498A
M-1662	CCP106C1047
M-1710	CP187140
M-1737	CCP97509101X
M-1748	CP5034
M-1749P	ACP5033
M-1750	CP5035
M-1751	CPAT125
M-1752	CPAT138
M-1753	CPAT150S
M-1754	CPAT150AS
M-1755	CPAT150T
M-1756	CPAT175AEX
M-1757	CPAT175EX
M-1758	CPAT200EX
M-1759	CP20822
M-1763	CP20550
M-1764	CP4303431
M-1765	CP14750

OEM Part No.	TRP® Part No.
M-1766	CP16980
M-1767	CP14311
M-1768	CP1768
M-1782	CP127760465
M-1783	CP127760500
M-1826	CP125C41125
M-1827	CP125C41187
M-1828	CP274C28K
M-1829	CP274C6K
M-1834	CP127740500
M-1881	CPBK313SP
M-1882	CPBK313465SP
M-1883	CPBK313500SP
M-1917	CPBK313550SP
M-1918	CPBK312SP
T-103	CP7028

OEM Part No.	TRP® Part No.
PAC127760	CP127760
PAC127760-465	CP127760465
PAC127760-500	CP127760500
PAC128C20-4	CP128C204
PAC14311	CP14311
PAC14750	CP14750
PAC161C5	CP161C5
PAC161C5-3	CP161C53
PAC16980	CP16980
PAC1768	CP1768
PAC1770	CP1770
PAC187140	CP187140
PAC187144	CP187144
PAC20550	CP20550
PAC20822	CP20822
PAC21AC815-6	CP21AC8156
PAC274C28	CP274C28
PAC274C28-6	CP274C286
PAC274C28K	CP274C28K
PAC274C6	CP274C6
PAC274C6-6	CP274C66
PAC274C6K	CP274C6K
PAC4303431	CP4303431
PAC4305230A	CP4305230A
PAC4305230A12P	CP4305230A12P
PAC4305230A6P	CP4305230A6P
PAC4305230A7P	CP4305230A7P
PAC4305230A8P	CP4305230A8P
PAC4305230A9P	CP4305230A9P
PAC4305230RP	CP4305230RP
PAC5033	CP5033
PAC5034	CP5034
PAC5035	CP5035
PAC572107C91	CP572107C91
PAC6203ZZ	CP6203ZZ
PAC6204ZZ	CP6204ZZ

## PACELINE

Table 8-23: Cross Reference for Paceline

OEM Part No.	TRP® Part No.
PAC0285	CP0285
PAC105C137	CP105C137
PAC106C1047	CP106C1047
PAC106C1498	CP106C1498
PAC125489	CP125489
PAC125C41-125	CP125C41125
PAC125C41-187	CP125C41187
PAC127175	CP127175
PAC127187	CP127187
PAC127200	CP127200
PAC127237	CP127237
PAC127740	CP127740
PAC127740-500	CP127740500

OEM Part No.	TRP® Part No.
PAC62052RS2HT	CP62052RS2HT
PAC6205ZZ	CP6205ZZ
PAC6206ZZ	CP6206ZZ
PAC6212ZNBR	CP6212ZNBR
PAC6304ZZ	CP6304ZZ
PAC6305ZZ	CP6305ZZ
PAC63062RS2HT	CP63062RS2HT
PAC63062RS2SHT	CP63062RS2SHT
PAC6306ZZ	CP6306ZZ
PAC6306ZZ-S	CP6306ZZS
PAC6306ZZ-SRG	CP6306ZZSRG
PAC7028	CP7028
PAC8677	CP8677
PAC97-509-10-1X	CP97509101X
PACAT125	CPAT125
PACAT138	CPAT138
PACAT150AS	CPAT150AS
PACAT150S	CPAT150S
PACAT150T	CPAT150T
PACAT175AEX	CPAT175AEX
PACAT175EX	CPAT175EX
PACAT200EX	CPAT200EX
PACBK312	CPBK312
PACBK312SP	CPBK312SP
PACBK313-465SP	CPBK313465SP
PACBK313-500SP	CPBK313500SP
PACBK313-550SP	CPBK313550SP
PACBK313SP	CPBK313SP
PACCLT006P	CPCLT006P
PACCLT007P	CPCLT007P
PACCLT008P	CPCLT008P
PACCLT009P	CPCLT009P
PACCLT012P	CPCLT012P
PACFW145	CPFW145
PACFW146	CPFW146



## Parts for Trucks, Trailers & Buses

# DRIVESHAFT COMPONENTS

### FEATURES & BENEFITS

- » U-Joints are case-hardened for superior durability
- » Center bearings contain heavy-duty roller bearing for exceptional performance

### RELATED PARTS

- » End Yokes
- » Clutches
- » Transmissions



### U-JOINTS & CENTER BEARINGS

The TRP® driveshaft program offers premium U-Joints and Center Bearings in a variety of sizes and applications.

### CROSS REFERENCE

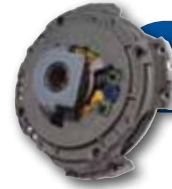
TRP®	ArvinMeritor	Description
DS674	R674X	U-Joint Kit, Series 1610, Half Round
DS279	R279X	U-Joint Kit, Series 1610, Full Round
DS675	R675X	U-Joint Kit, Series 1710, Half Round
DS280	R280X	U-Joint Kit, Series 1710, Full Round
DS677	R677X	U-Joint Kit, Series 1760, Half Round
DS407	R407X	U-Joint Kit, Series 1760, Full Round
DS676	R676X	U-Joint Kit, Series 1810, Half Round
DS281	R281X	U-Joint Kit, Series 1810, Full Round
DS170X	US170X	U-Joint Kit, Series SPL170
DS250X	US250X	U-Joint Kit, Series SPL250
DS657018X		Bearing Strap Kit
DS1707018X		Bearing Strap Kit, Series SPL170
DS2507018X		Bearing Strap Kit, Series SPL250
DS2108751X	CB210875-1X	Center Bearing
DS2106611XSA	CB210661-1X	Center Bearing - New Generation



Scan the code for more information.  
Get the free mobile app at <http://gettag.mobi>



# DRIVESHAFT



**Clutch Assemblies**

See Page 8-5

## FULL & HALF ROUND U-JOINT KITS

- U-Joints are case hardened for long life and durability.
- All products manufactured and tested to OEM specifications for quality control.
- Center bearings contain heavy duty roller bearing for long life.
- Nationwide, 12-month warranty.



Table 8-24: U-Joint Kits - Full & Half Rounds

Part No.	Series	Type
<b>FULL ROUNDS</b>		
DS279	1610	5-70-28X hardware kit
DS280	1710	6.5-70-18X hardware kit
DS407	1760	6.5-70-18X hardware kit
DS281	1810	6.5-70-18X hardware kit
<b>HALF ROUNDS</b>		
DS674	1610	
DS675	1710	
DS676	1810	
DS677	1760	

## SPL SERIES U-JOINT KITS

- U-Joints are case hardened for long life and durability.
- All products manufactured and tested to OEM specifications for quality control.
- Center bearings contain heavy duty roller bearing for long life.
- Nationwide 12 month warranty.

Table 8-25: U-Joint Kits - Spicer SPL Series

Part No.	Series	U-Joint
DS170X	SPL 170	Permanently Lubricated
DS250X	SPL 250	Permanently Lubricated

## SPL SERIES BEARING STRAPS

Table 8-26: Bearing Straps - SPL Series

Part No.	Series
DS657018X	1710, 1760, 1810
DS1707018X	SPL170
DS2507018X	SPL250



## CENTER BEARINGS

Table 8-27: Center Bearings

Part No.	Series
DS2108751X	1760, 1810
DS2106611X	n/a
DS2106611XSA	n/a



## STEERING SHAFTS U-JOINT KITS

Table 8-28: U-Joint Kits - Steering Shafts

Part No.
SS103
SS170

# CROSS REFERENCE

## CROSS REFERENCE FOR U-JOINTS

Table 8-29: U-Joint Cross Reference

Part No.	Paceline Part No.	Dana Part No.
DS657018X	PAC6.5-70-18X	6.5-70-18X
DS1707018X	PAC170-70-18X	170-70-18X
DS2507018X	PAC250-70-18X	250-70-18X
90-28X	PAC90-70-28X	90-70-28X
DS2108751X	PAC210875-1X	210875-1X
DS2106611X	PAC210661-1X	210661-1X
DS2106611XSA	PAC210661-1XSA	5003523
DS279	PAC279	5-279X
DS280	PAC280	5-280X
DS407	PAC407	5-407X
DS281	PAC281	5-6281X
DS674	PAC674	5-674X
DS675	PAC675	5-675X
DS676	PAC676	5-676X
DS677	PAC677	5-677X
DS170X	PAC5XL170X	SPL170-3X
DS250X	PAC5XL250X	SPL250-3X
SS103	PAC103	5-103X
SS170	PAC170	5-170X



## Parts for Trucks, Trailers & Buses

### SEALS

#### FEATURES & BENEFITS

- » Passes SAE J110 hot, cold and slurry tests for extended seal life
- » TS-16949 and ISO9001 certified

#### RELATED PARTS

- » U-Joints
- » End Yokes
- » Axle Shafts
- » Carriers



#### AXLE SEALS

The main function of axle seals is to contain oil, while preventing contaminants from entering the housing. Eleven axle seals have been added to the TRP® program, covering the most popular ArvinMeritor and Dana axle specifications. During installation, be sure to use the proper seal driver and sleeve drive tools.

#### CROSS REFERENCE & INSTALLATION TOOLS

Seal	Axle Model & Position	OEM Cross Reference	Seal Driver/Service Kit
AS2728	Forward Rear Input, 14X, 16X, 18X	A1-1205X2728	2728T1
AS2729	Forward Rear Output, 14X, 16X	A1-1205Y2729	2729T1
AS2730	Rear Rear Input, 14X	A1-1205Z2730	2730T1
AS2731	Rear Rear Input, 16X, 18X	A1-1205A2731	2731T1
AS7000	Forward Input, 344, 404, 405, 454, DSP40	127591	217414
AS7001	Forward Output, 344, 404, 405, 454, DSP40	127592	217414
AS7002	Forward Input, 341, 381, 402, 451	127719	212139
AS7003	Forward Output, 341, 381, 402, 451	127720	212139
AS7004	Forward Input, 46K to 65K, 461	210736	217590
AS7005	Forward Output, 46K to 65K, 461	210737	217590
AS7006	Output Shaft 461	210724	217590



Scan the code for more information.  
Get the free mobile app at <http://gettag.mobi>

# DRIVE AXLE

## AXLE PINION SEALS



Table 8-30: Drive Axle - Axle Pinion Seals

Part No.	Description
AS2728	Forward Rear Input, 14X, 16X, 18X
AS2729	Forward Rear Output, 14X, 16X
AS2730	Rear Rear Input, 14X
AS2731	Rear Rear Input, 16X, 18X
AS7000	Forward Input, 344, 404, 405, 454, DSP40
AS7001	Forward Output, 344, 404, 405, 454, DSP40
AS7002	Forward Input, 341, 381, 402, 451
AS7003	Forward Output, 341, 381, 402, 45
AS7004	Forward Input, 46K to 65K, 461
AS7005	Forward Output, 46K to 65K, 461
AS7006	Output Shaft 461



*For information, updates, or corrections,  
please contact us at [support@trparts.com](mailto:support@trparts.com)*

*No part of this marketing material may be  
reproduced in any manner without written  
permission from TRP® North America.*

**TRP® North America**

750 Houser Way N.  
Renton, WA 98057

[www.trpparts.com](http://www.trpparts.com)